

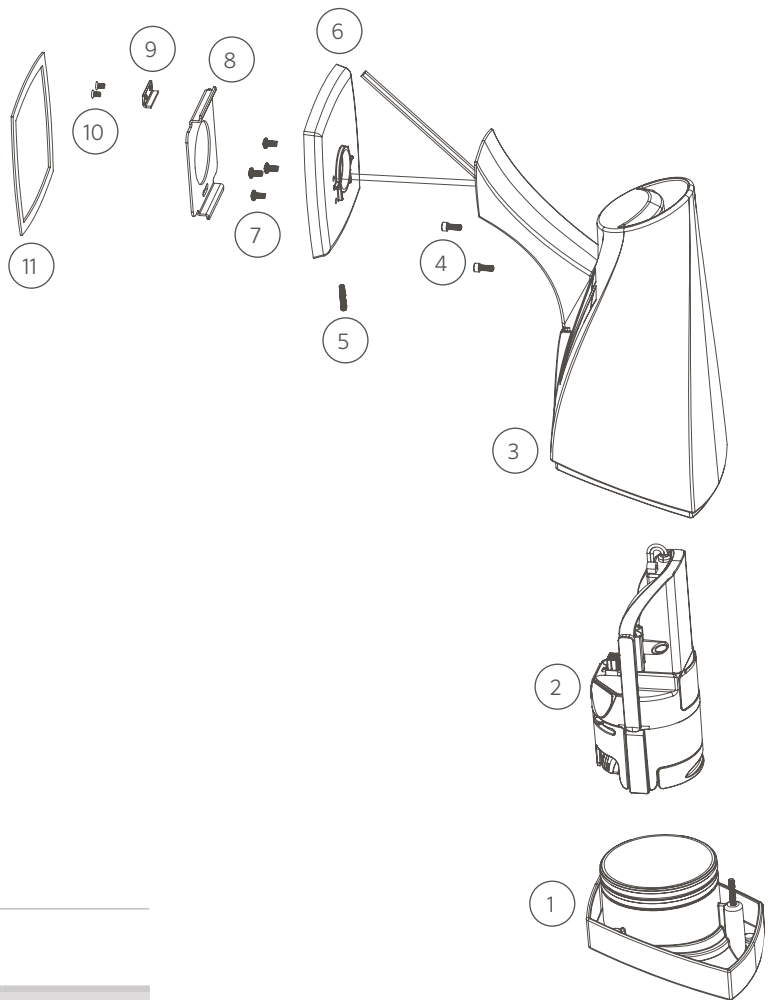
LINE VOLTAGE | DOWN LIGHT | A-ST5

Replacement Parts

ITEM	DESCRIPTION	CATALOG #
1	Lens Cap Assembly, Solite Lens	CST13LTXX*
2	Cartridge	See Cartridge Config Chart
3-11	Housing Assembly	SCST13HAXX*
3	Housing	†
4	Screw, 8-32 x 7/16"	250022400000
5-11	Wall Plate Assembly, 4" x 4" (100 mm x 100 mm) Square	WPSQCSTXX*
5	Setscrew, 8-32 x 7/8"	250025100000
6	Wall Plate	†
7	Screw, 8-32 x 5/16"	250025080000
8	Mounting Plate	250025020000
9	Latch, Wall Plate	250025070000
10	Screw, 6-32 x 1/4"	250025090000
11	Gasket, Wall Plate	250025060000

* Replace "XX" with desired powder coat finish code

† This part is not serviceable. Contact Customer Support or a local distributor to order a new product



Cartridge Configuration Chart

BASE	POWER CONTROL	OUTPUT	CCT	OPTICS
CRT19	SV 120V Phase Dim (UL)	L07 700 Lumens	K27 2,700K	SP 20° Spot
	UV 120-277V 0-10V Dim (UL)	L10 1,000 Lumens	K30 3,000K	FL 40° Flood
HV 220-240V 0-10V Dim (CE)		L13 1,300 Lumens	K40 4,000K	WF 60° Wide Flood
		L20 2,000 Lumens		VW 90° Very Wide Flood
				WW 90° x 120° Wall Wash

Example: **CRT19SVL10K30WF**

LINE VOLTAGE | DOWN LIGHT | A-ST5

Driver

ITEM	DESCRIPTION	CATALOG #
1	Driver	See Driver Config Chart
2-4	Cartridge Assembly	CARTASSY19
2	Driver Clamp	250021560000
3	Screw, 8-32 x 3/4"	250020860000
4	Cartridge Body	†
5	LED Board	See LED Config Chart
6	Reflector Adapter Ring	250022330000
7	Washer	250012980000
8	Screw, 4-40 x 3/8"	762400*
9	Reflector, 20° SP	250022300000
9	Reflector, 40° FL	250022310000
9	Reflector, 60° WF	250022320000
9	Reflector, 90° VW	250021660000
9	Reflector, 90° x 120° WW	250021650000

† This part is not serviceable. Contact Customer Support or a local distributor to order a new product.

Driver Configuration Chart

BASE	POWER CONTROL	OUTPUT
DVR	SV 120V Phase Dim (UL)	350 700 Lumens (L07)
	UV 120-277V 0-10V Dim (UL)	500 1,000 Lumens (L10)
	HV 220-240V 0-10V Dim (CE)	700 1,300 Lumens (L13) & 2,000 Lumens (L20)
		700D SV L20 only

Example: **DVRUV350**

LED Configuration Chart

BASE	OUTPUT	CCT
LED19S	L13 700 Lumens (L07) & 1,000 Lumens (L10) & 1,300 Lumens (L13)	K27 2,700K
	L20 2,000 Lumens (L20)	K30 3,000K
		K40 4,000K

Example: **LED19SL13K30**

