



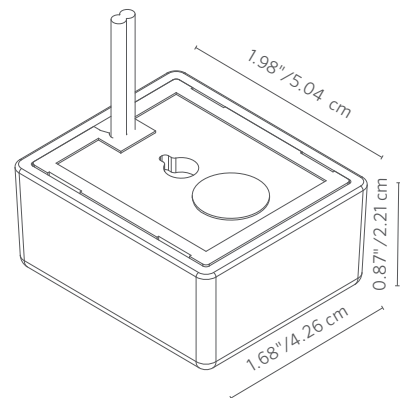
|           |
|-----------|
| PROJECT   |
| CATALOG # |
| TYPE      |
| NOTES     |

## SURGE MODULE Accessory

The Surge-Mod provides two additional layers of surge protection to any low-voltage LED fixture. The module is designed with a viewing window to provide clear indication of surge events.

### Quick Facts

- Two-layer protection
- Visual surge indicator
- Direct burial
- In-line installation with two-wire path
- Compatible with any low-voltage LED fixture



# SURGE MODULE Accessory SPECIFICATIONS

|   |                  |
|---|------------------|
| Operating Voltage and Frequency             | 15 VAC, 50/60 Hz |
| I <sub>n</sub> (Nominal Discharge Current)  | 1 kA             |
| MCOV (Maximum Continuous Operating Voltage) | 15 VAC           |
| Peak Surge                                  | 10KW             |

## FX Luminaire

FX Luminaire is an industry-leading manufacturer of landscape and architectural lighting products with a focus on the advancement of LED technology and digital lighting control with zoning, dimming, and color adjustment capabilities. We offer a full spectrum of highly efficient lighting fixtures that can be utilized to create elegant, cutting-edge landscape lighting systems for commercial or residential applications. Our products are available exclusively via our extensive professional distributor network.

## Materials

Polycarbonate plastic housing with polyurethane potting compound.

## Wiring

0.3 meter length

## Ambient Operating Temperature

0°F to 140°F

## Weight

0.3 lbs.

## Sustainability

Innovation meets conservation in the design and manufacturing of our products. Where we can, we use recycled materials while maintaining the highest quality and functionality.

## Installation Requirements

Direct burial with waterproof wire connectors.

## Listings



# SURGE MODULE Accessory ORDERING INFORMATION

## Model

■ SURGEMOD

EXAMPLE CONFIGURATION: SURGE-MOD

SURGE – MOD