

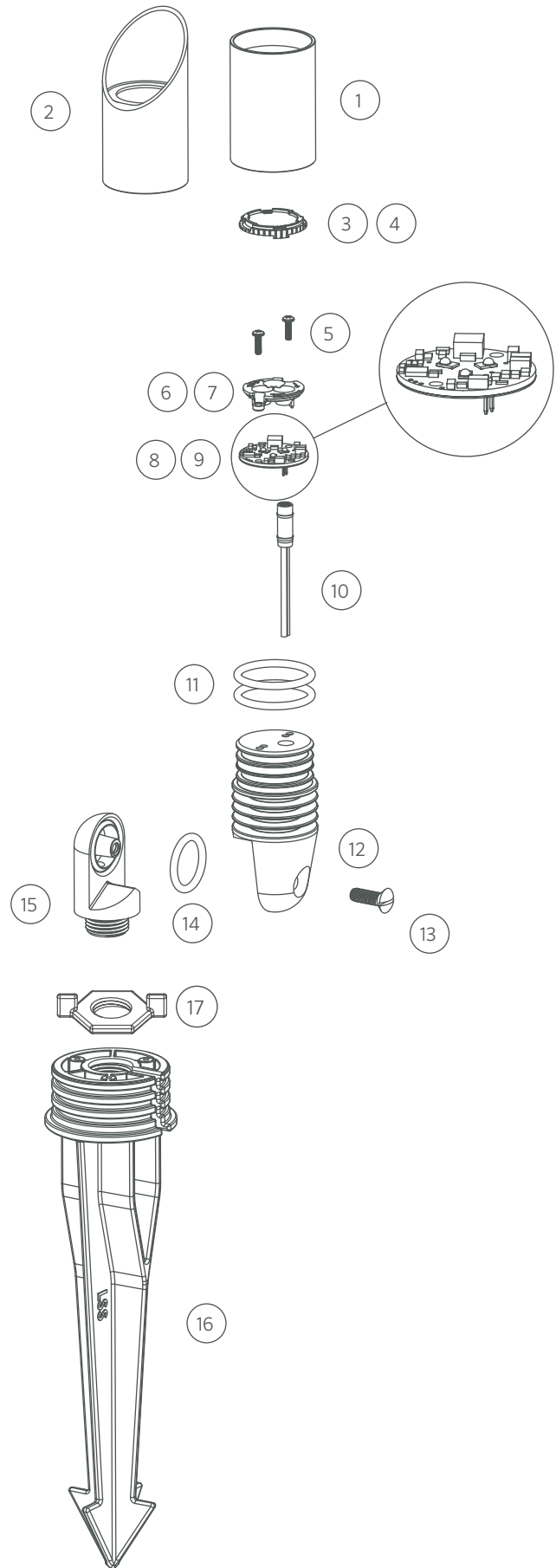
Replacement Parts

ITEM	DESCRIPTION	CATALOG #
1	Lens Cap Assembly, Straight, Clear	CCLCXX* <sup>5</sup>
2	Lens Cap Assembly, Long Shroud, Clear	CCLCLSXX* <sup>5</sup>
3-4	Beam Angle Lens	See LED Chart
5	Screw, #4-40 x 3/8"	See LED Chart
6-7	Reflector	See LED Chart
8-9	LED Board	See LED Chart
10	Socket, 3-meter	752601
11	O-Ring	250010280016
12	Housing	†
13	Screw, 1/4"-20 x 3/4"	250010630000
14	O-Ring	250010280005
15	Knuckle, Brass	250010610000
16	Long Slot Spike (LSS)	250015840000
17	Lock Ring (Order in Qty 25)	250030410000SP

\*XX = BS, AB, AT, and NP finish codes only

<sup>5</sup>Replace "LC" with "LF" for frosted lens option

†This part is not serviceable. Contact Customer Support or a local distributor to order a complete product.



LED Chart

ITEM	DESCRIPTION	CATALOG #
3	1 LED Spot Lens (20°)	770600
3	1 LED Flood Lens (35°)	1LEDFLENS
3	1 LED Wide Flood Lens (60°)	1LEDWFLENS
4	3 LED Spot Lens (20°)	771300
4	3 LED Flood Lens (35°)	3LEDFLENS
4	3 LED Wide Flood Lens (60°)	3LEDWFLENS
5	1 LED/3 LED Screw, #4-40 x 3/8" (Qty: 2)	762400
6	1 LED Reflector	770000
7	3 LED Reflector	770700
7	ZDC LED Reflector	250022050000
8	1 LED Board, 2nd Generation <sup>§</sup>	KIT1LEDRDW <sup>‡</sup>
9	3 LED Board, 2nd Generation <sup>§</sup>	KIT3LEDRDW <sup>‡</sup>
10	ZD 3 LEDT Board, Amber	ZD3LEDTKIT
10	ZDC LED Board	ZDCKITM

<sup>‡</sup>ZD = Zoneable and dimmable (add ZD to front of part number)

<sup>\*\*</sup>ZDC Kit includes LED board, reflector (#9), screws (#7), and flood lens diffuser (3LEDFLENS)

<sup>§</sup>For manufacturing date codes after February 1, 2022

1st Generation LED Chart

ITEM	DESCRIPTION	CATALOG #
	1 LED Board	1LEDULKIT <sup>‡</sup>
	3 LED Board	3LEDULKIT <sup>‡</sup>
	1 LED Color Filter, Amber	770100
	1 LED Color Filter, Blue	770101
	1 LED Color Filter, Green	770102
	3 LED Color Filter, Amber	770800
	3 LED Color Filter, Blue	770801
	3 LED Color Filter, Green	770802