

# REPLACEMENT PARTS LIST

Landscape Lighting

FXLuminaire®





# TABLE OF CONTENTS

AL	<b>63</b>	EA	<b>39</b>	MD	<b>106</b>	QB	<b>6</b>
AN	<b>84</b>	EA LED	<b>40</b>	ML	<b>97</b>	QF	<b>54</b>
AP	<b>83</b>	EX	<b>133</b>	MM	<b>94</b>	QZ	<b>5</b>
A-RISER	<b>58</b>	FB	<b>11</b>	MO	<b>99</b>	RC	<b>111</b>
BD	<b>28</b>	FC	<b>119</b>	MP	<b>4</b>	RL	<b>19</b>
BD LED	<b>29</b>	FC LED	<b>120</b>	M-PJ	<b>71</b>	RP	<b>125</b>
BP	<b>101</b>	FG	<b>66</b>	M-PK	<b>72</b>	RS	<b>7</b>
BQ	<b>131</b>	FG LED	<b>67</b>	M-PL	<b>70</b>	RW	<b>80</b>
CA	<b>41</b>	FR	<b>23</b>	M-PZ	<b>73</b>	SC	<b>37</b>
CA-A	<b>42</b>	GN	<b>85</b>	MR LED	<b>15</b>	SC LED	<b>38</b>
CB	<b>52</b>	G-RISER	<b>56</b>	MS	<b>95</b>	SI	<b>9</b>
CC	<b>21</b>	GT	<b>82</b>	MU	<b>10</b>	SL	<b>100</b>
CF	<b>121</b>	HC	<b>34</b>	NL LED	<b>109</b>	SM	<b>127</b>
CG	<b>96</b>	HP-48	<b>123</b>	NP LED	<b>13</b>	SP	<b>32</b>
CL	<b>103</b>	JB	<b>113</b>	NR LED	<b>24</b>	SP-A	<b>33</b>
CM	<b>8</b>	JS LED	<b>49</b>	PB	<b>26</b>	TC	<b>104</b>
CP	<b>86</b>	KG	<b>124</b>	PD	<b>92</b>	TD	<b>64</b>
CP LED	<b>87</b>	LAMPS	<b>137</b>	PD LED	<b>93</b>	TD LED	<b>65</b>
CR	<b>17</b>	LB	<b>128</b>	PE LED	<b>123</b>	TE	<b>122</b>
CV	<b>50</b>	LC LED	<b>27</b>	PF	<b>30</b>	TM	<b>59</b>
DE	<b>112</b>	LE LED	<b>118</b>	PF LED	<b>31</b>	TM LED	<b>60</b>
DL	<b>47</b>	LF LED	<b>102</b>	PL	<b>61</b>	TS	<b>105</b>
DL-A	<b>48</b>	LL	<b>130</b>	PL LED	<b>62</b>	UN	<b>90</b>
DM	<b>44</b>	LM	<b>88</b>	PM	<b>68</b>	UN LED	<b>91</b>
DM-A	<b>45</b>	LM LED	<b>89</b>	PM LED	<b>69</b>	VE	<b>116</b>
DP	<b>78</b>	LO	<b>20</b>	PO	<b>98</b>	VL LED	<b>115</b>
DR 2-TIER	<b>75</b>	LP	<b>129</b>	PR	<b>35</b>	VS	<b>22</b>
DR 3-TIER	<b>74</b>	LR	<b>16</b>	P-RISER	<b>57</b>	WS	<b>18</b>
DS 2-TIER	<b>76</b>	LS	<b>114</b>	PS	<b>107</b>		
DS 3-TIER	<b>77</b>	LUXOR	<b>132</b>	PV	<b>79</b>		
DX	<b>136</b>	LX	<b>135</b>	PX	<b>134</b>		

# UP LIGHTS

## MP

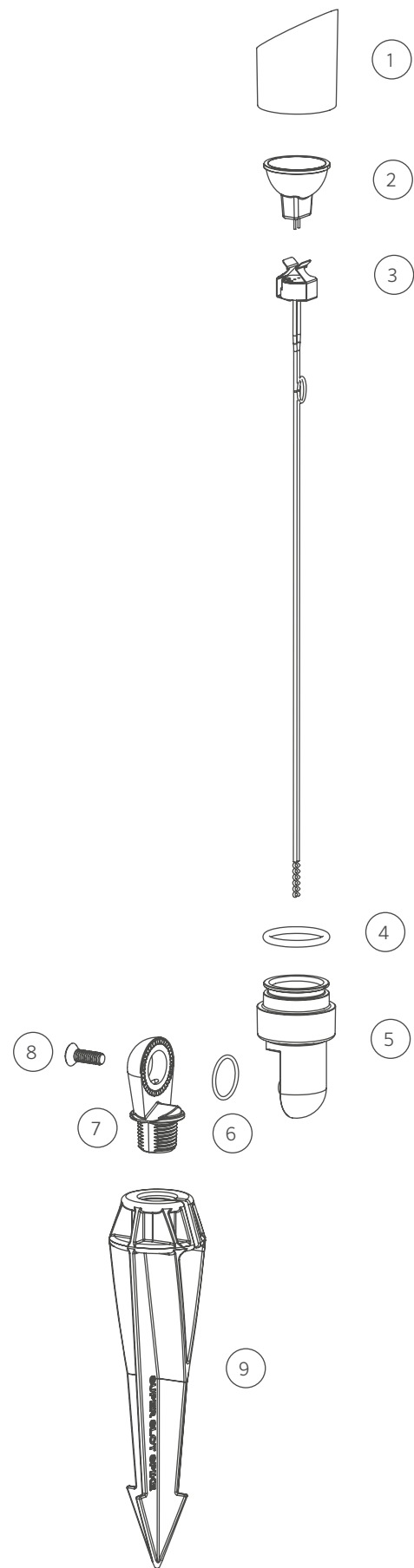
ITEM	DESCRIPTION	CATALOG #
1	Lens Cap Assembly (Clear Lens)	MPLCXX*†
2	Lamp, MR-11	See Lamp Chart
3	Socket Assembly, MR-11	250010440000
4	O-Ring	250010280015
5	Base	-
6	O-Ring	250020280002
7	Knuckle	-
8	Screw, 1/4"-20 x 3/4"	250010290000
9	Super Slot Spike	753900

\* XX = Powder coat color code

† Replace "C" with "F" for frosted lens option

## LAMP CHART

DESCRIPTION	CATALOG #
Lamp, MR-11, 12W, 10°, 2,000 Hrs	250010220001
Lamp, MR-11, 20W, 10°, 2,000 Hrs	250010220002
Lamp, MR-11, 20W, 36°, 2,000 Hrs	250010220003
Lamp, MR-11, 35W, 12°, 2,000 Hrs	250010220004
Lamp, MR-11, 35W, 30°, 2,000 Hrs	250010220005



**QZ LED**

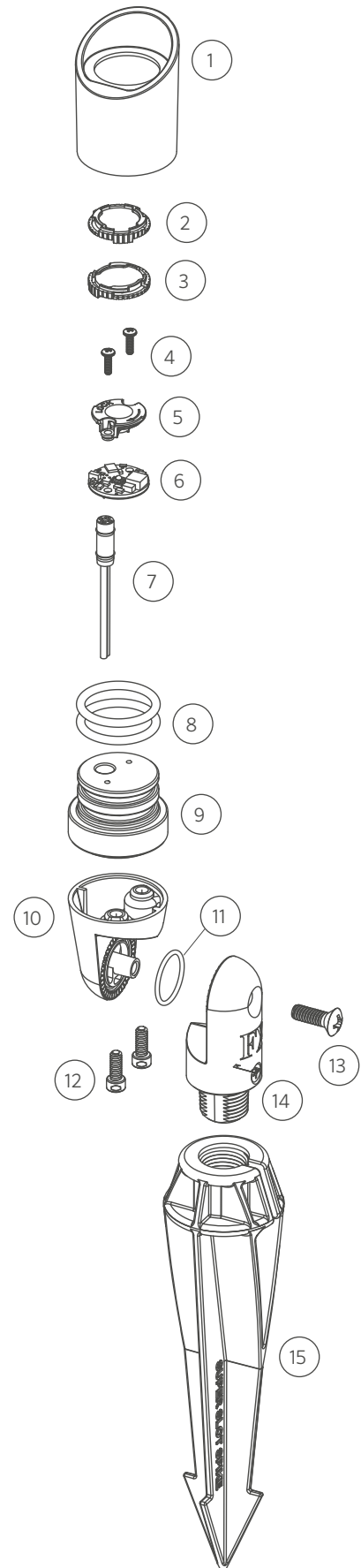
ITEM	DESCRIPTION	CATALOG #
1	Lens Cap Assembly	QZLCXX*
2	Beam Angle Lens	See LED Chart
3	Color Filter	See LED Chart
4	Screw	See LED Chart
5	Reflector	See LED Chart
6	LED Board	See LED Chart
7	Socket, 3-meter	752601
8	O-Ring	250010280015
9	Body	-
10	Base	-
11	O-Ring	250010280002
12	Screw, #10-24 x 3/8"	250013940000
13	Screw, 1/4"-20 x 3/4"	250010290000
14	Knuckle Subassembly	KFM050XX*
15	Super Slot Spike	753900

\*XX = Powder coat color code

**QZ LED COMPONENTS**

ITEM	DESCRIPTION	CATALOG #
2	1LED Spot Lens (20°)	770600
2	1LED Flood Lens (30°-32°)	1LEDFLLENS
2	1LED Wide Flood Lens (56°-58°)	1LEDWFLENS
3	1LED Color Filter, Amber	770100
3	1LED Color Filter, Blue	770101
3	1LED Color Filter, Green	770102
4	1LED/3LED Screw, #4-40 x 3/8" (Qty Req: 2)	762400
5	1LED Reflector	770000
6	1LED Board	1LEDULKIT <sup>‡</sup>

<sup>‡</sup> ZD = Zoneable and dimmable (add ZD to front of part number)



**QB LED**

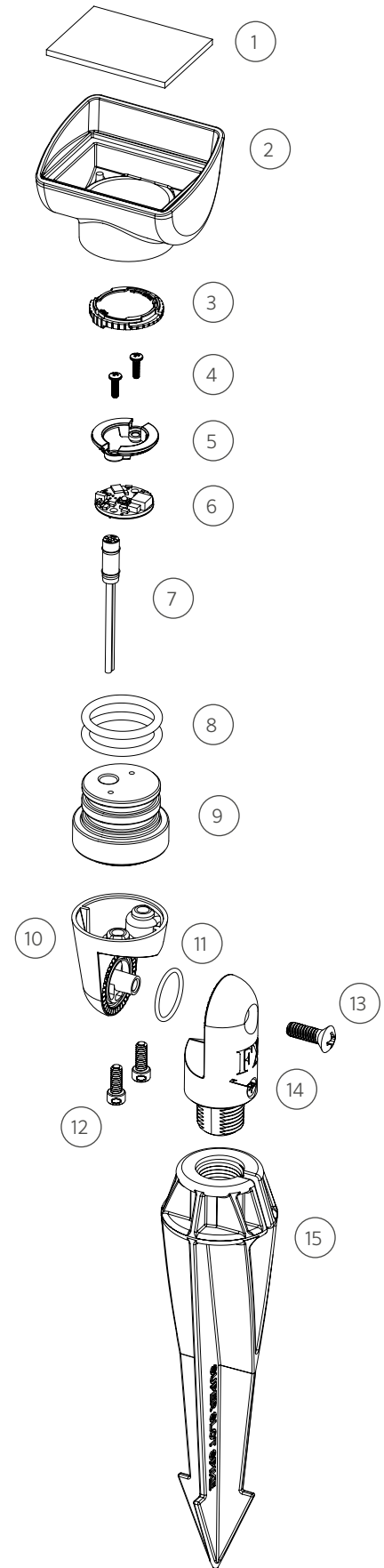
ITEM	DESCRIPTION	CATALOG #
1	Lens	-
2	Shroud	-
3	Color Filter	See LED Chart
4	Screw	See LED Chart
5	Color Filter Support	250021070000
6	LED Board	See LED Chart
7	Socket, 3-meter	752601
8	O-Ring	250010280015
9	Body	-
10	Base	-
11	O-Ring	250010280002
12	Screw, #10-24 x 3/8"	250013940000
13	Screw, 1/4"-20 x 3/4"	250010290000
14	Knuckle Subassembly	KFM050XX*
15	Super Slot Spike	753900
1-2, 8	Lens Cap Assembly (Frosted)	QBLFXX*

\* XX = Powder coat color code

**QB LED COMPONENTS**

ITEM	DESCRIPTION	CATALOG #
3	1LED Color Filter, Amber	770100
3	1LED Color Filter, Blue	770101
3	1LED Color Filter, Green	770102
4	1LED/3LED Screw, #4-40 x 3/8" (Qty Req: 2)	762400
6	1LED Board	1LEDULKIT <sup>‡</sup>

<sup>‡</sup> ZD = Zoneable and dimmable (add ZD to front of part number)

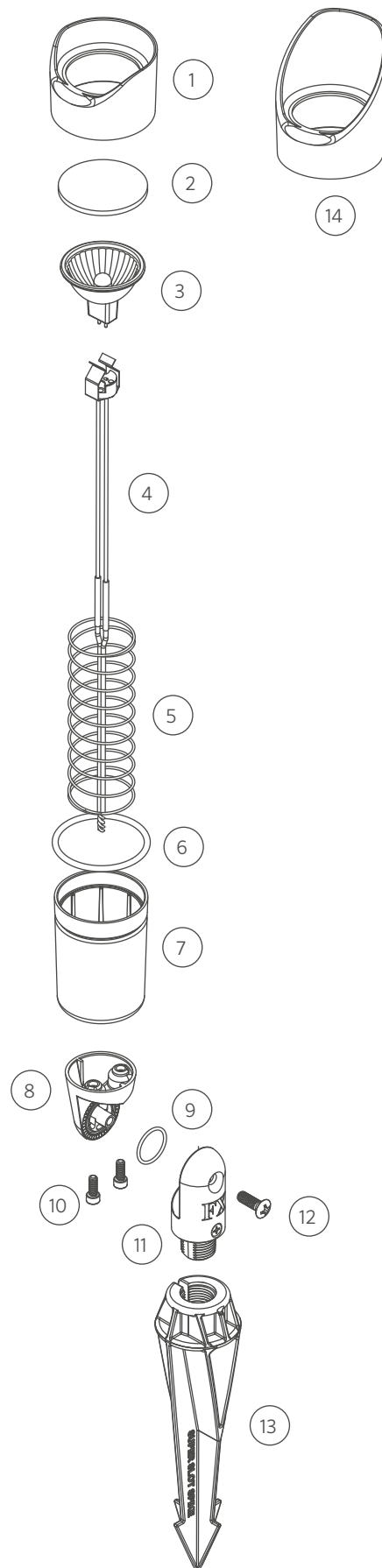


RS

ITEM	DESCRIPTION	CATALOG #
1	Shroud	-
2	Lens	-
3	Lamp, MR-16	See Lamp Chart, p. 137-139
4	Socket Assembly, MR-16	761600
5	Spring, Compression	-
6	O-Ring	250010280017
7	Can	-
8	Base	-
9	O-Ring	250010280002
10	Screw, #10-24 x 3/8"	250013940000
11	Knuckle Subassembly	KFM050XX*
12	Screw, 1/4"-20 x 3/4"	250010290000
13	Super Slot Spike	753900
14	Long Shroud	-
1-2, 6	Lens Cap Assembly (Clear)	RSLCXX <sup>†</sup>
2, 6, 14	Long Shroud Lens Cap Assembly (Clear)	RSLCLSXX*

\*XX = Powder coat color code

<sup>†</sup>Replace "C" with "F" for frosted lens option

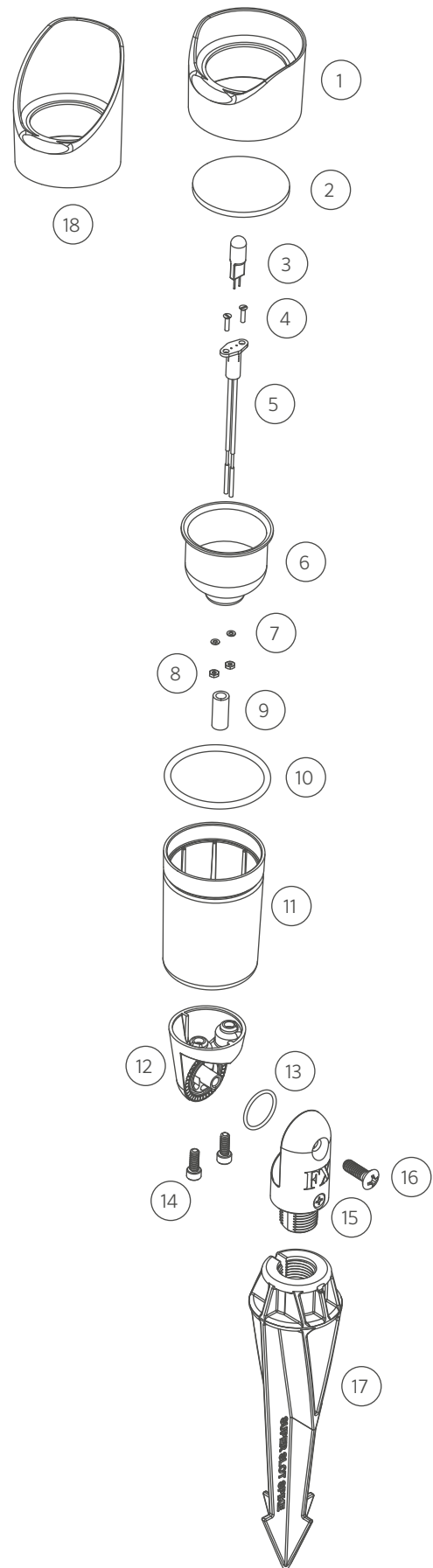


CM

ITEM	DESCRIPTION	CATALOG #
1	Shroud, Short	-
2	Lens	-
3	Lamp, G4 Bi-Pin	See Lamp Chart, p. 137-139
4	Screw, #2-56 x 3/8"	250010540000
5	Socket	250010580000
6	Reflector	-
7	Washer, Flat, No. 2	250010530000
8	Nut, #2-56	250010550000
9	Silicone Sleeve	250010560000
10	O-Ring	250010280017
11	Can	-
12	Base, Knuckle	-
13	O-Ring	250010280002
14	Screw, #10-24 x 3/8"	250013940000
15	Knuckle Subassembly	KFM050XX*
16	Screw, 1/4"-20 x 3/4"	250010290000
17	Super Slot Spike	753900
18	Long Shroud	-
1, 2, 10	Lens Cap Assembly	RSLCXX*†
2, 10, 18	Long Shroud Lens Cap Assembly	RSLCLSXX*
4-9	Socket Assembly	250016000000

\* XX = Powder coat color code

† Replace "C" with "F" for frosted lens option



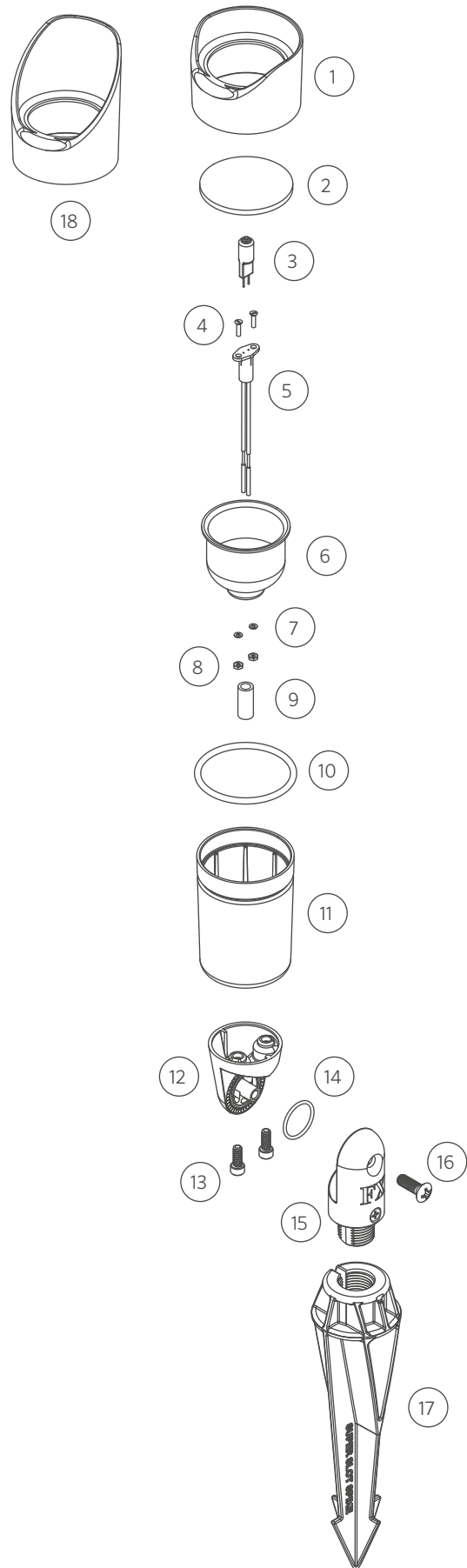


SI

ITEM	DESCRIPTION	CATALOG #
1	Shroud	-
2	Lens	250010230000
3	Lamp, G4 Bi-Pin	See Lamp Chart, p. 137-139
4	Screw, #2-56 x 3/8"	250010540000
5	Socket, T3	250010580000
6	Reflector	-
7	Washer, Flat, No. 2	250010530000
8	Nut, #2-56	250010550000
9	Silicone Sleeve	250010560000
10	O-Ring	250010280017
11	Can	-
12	Base	-
13	Screw, #10-24 x 3/8"	250013940000
14	O-Ring	250010280002
15	Knuckle Subassembly	KFM050XX*
16	Screw, 1/4"-20 x 3/4"	250010290000
17	Super Slot Spike	753900
18	Long Shroud	-
4-9	Socket Assembly	250016000000
1-2, 10	Lens Cap Assembly	RSLCXX*†
2, 10, 18	Long Shroud Lens Cap	RSLCLSXX*

\* XX = Powder coat color code

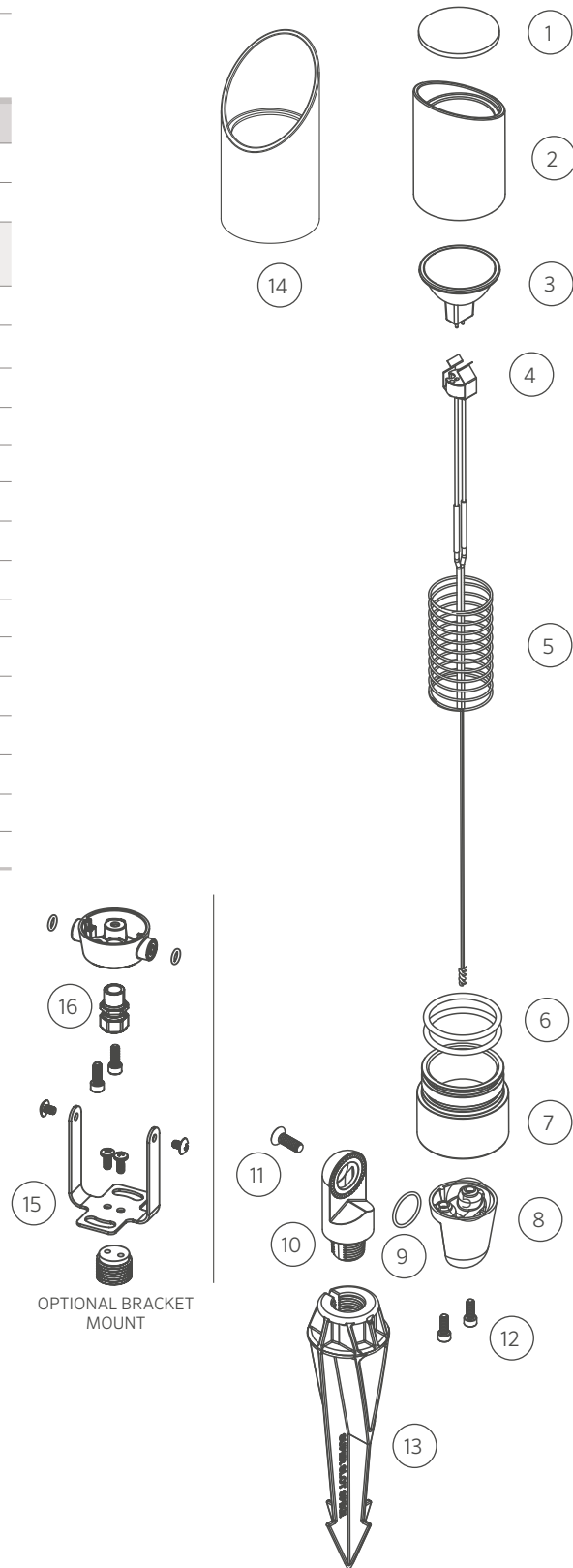
† Replace "C" with "F" for frosted lens option



**MU**

ITEM	DESCRIPTION	CATALOG #
1	Lens	-
2	Shroud	-
3	Lamp, MR-16	See Lamp Chart, p. 137-139
4	Socket Assembly, MR-16	761600
5	Spring	-
6	O-Ring	250010280017
7	Body	-
8	Base	-
9	O-Ring	250010280002
10	Subassembly	KFM050XX*
11	Screw, 1/4"-20 x 3/4"	250010290000
12	Screw, #10-24 x 3/8"	250013940000
13	Super Slot Spike	753900
14	Long Shroud	-
15	Stainless Steel Bracket	250026820000
16	Strain Relief Connector	250026840000
1-2, 6	Lens Cap Assembly	MULCXX*
1, 6, 14	Long Shroud Lens Cap	MULCLSXX*

\*XX = Powder coat color code

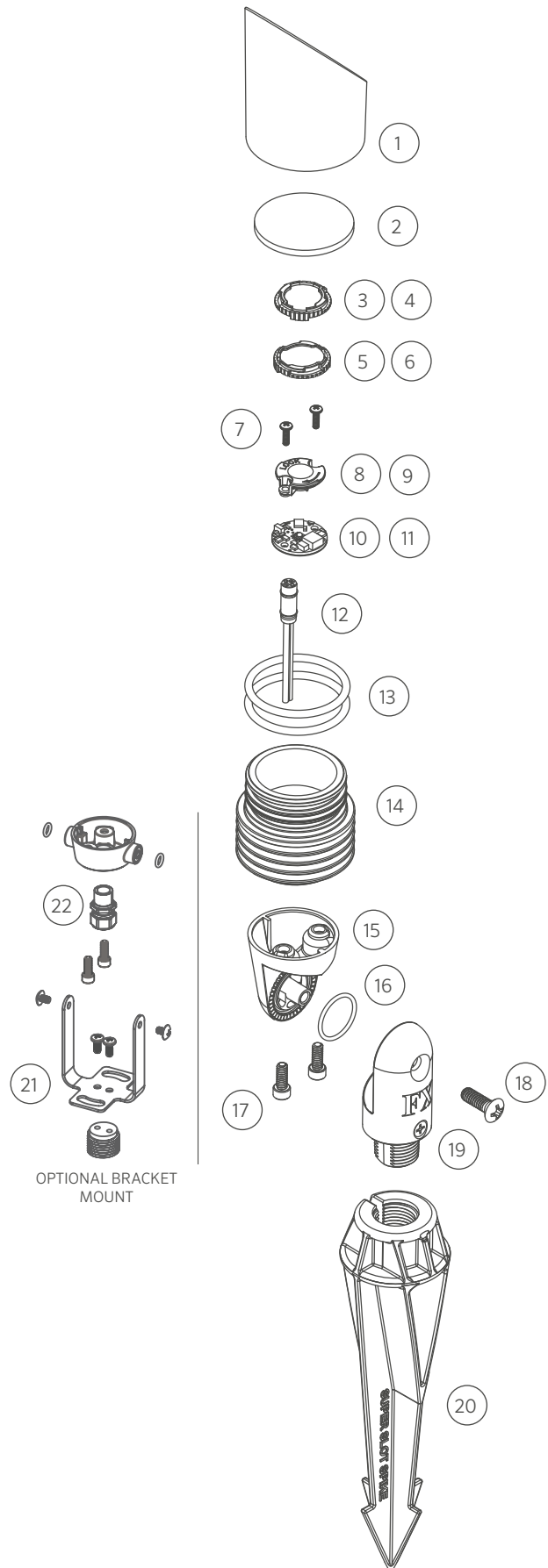


**FB LED**

ITEM	DESCRIPTION	CATALOG #
1	Shroud	-
2	Lens, Clear	-
3-4	Beam Angle Lens	See LED Chart
5-6	Color Filter	See LED Chart
7	Screw, #4-40 x 3/8"	See LED Chart
8-9	Reflector	See LED Chart
10-11	LED Board	See LED Chart
12	Socket, 3-meter	752601
13	O-Ring	250010280017
14	Body	-
15	Base	-
16	O-Ring	250010280002
17	Screw, #10-24 x 3/8"	250013940000
18	Screw, 1/4"-20 x 3/4"	250010290000
19	Knuckle Subassembly	KFM050XX*
20	Super Slot Spike	753900
21	Stainless Steel Bracket	250026820000
22	Strain Relief Connector	250026840000
1-2, 13	Lens Cap Assembly (Clear)	FBLCXX*†

\* XX = Powder coat color code

† Replace "C" with "F" for frosted lens option



---

**FB LED COMPONENTS**

ITEM	DESCRIPTION	CATALOG #
3	1LED Spot Lens (18°)	770600
3	1LED Flood Lens (30°-32°)	1LEDFLENS
3	1LED Wide Flood Lens (56°-58°)	1LEDWFLENS
4	3LED Spot Lens (18°)	771300
4	3LED Flood Lens (30°-32°)	3LEDFLENS
4	3LED Wide Flood Lens (56°-58°)	3LEDWFLENS
5	1LED Color Filter, Amber	770100
5	1LED Color Filter, Blue	770101
5	1LED Color Filter, Green	770102
6	3LED Color Filter, Amber	770800
6	3LED Color Filter, Blue	770801
6	3LED Color Filter, Green	770802
7	1LED/3LED Screw, #4-40 x 3/8" (Qty Req: 2)	762400
8	1LED Reflector	770000
9	3LED Reflector	770700
9	ZDC Reflector	250022050000
10	1LED Board	1LEDULKIT <sup>‡</sup>
11	3LED Board	3LEDULKIT <sup>‡</sup>
11	ZDC LED Board	ZDCKITM <sup>**</sup>

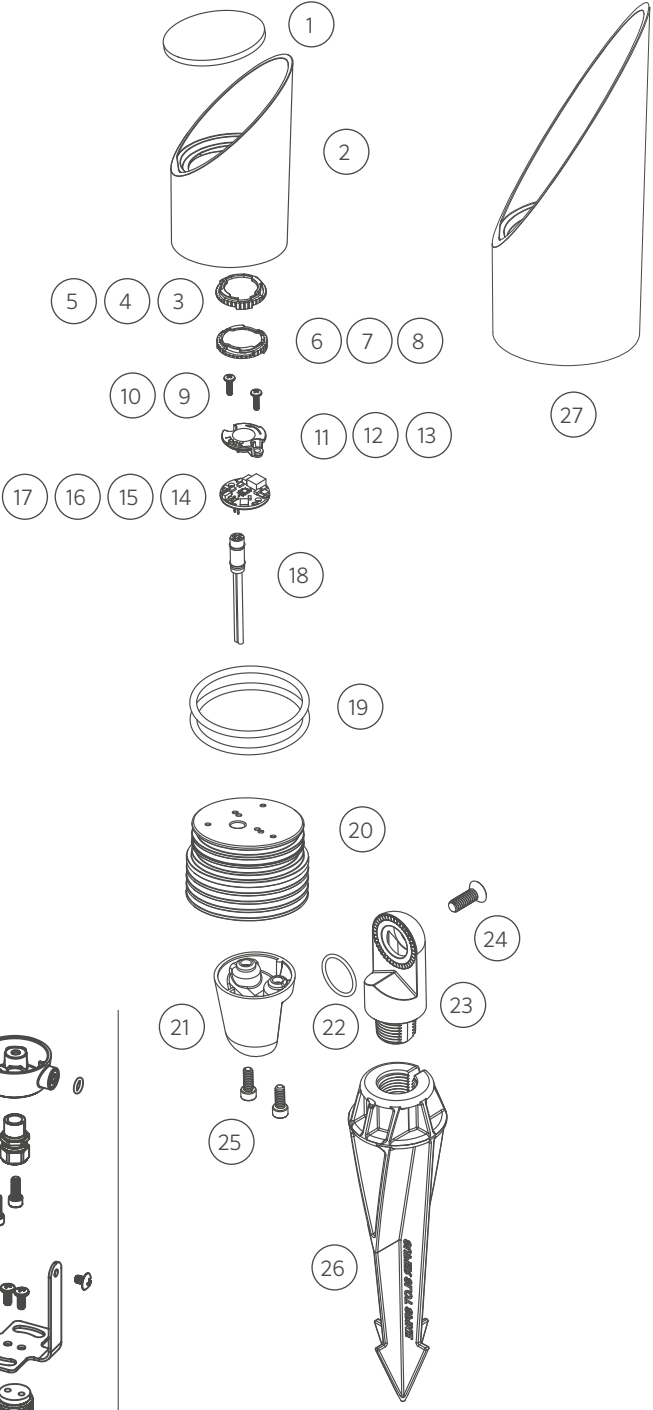
<sup>‡</sup> ZD = Zoneable and dimmable (add ZD to front of part number)

<sup>\*\*</sup> ZDC kit includes LED board, reflector (#9), screws (#7), and flood lens diffuser (3LEDWFLENS)

NP LED

ITEM	DESCRIPTION	CATALOG #
1	Lens	-
2	Shroud	-
3-5	Beam Angle Lens	See LED Chart
6-8	Color Filter	See LED Chart
9-10	Screw	See LED Chart
11-13	Reflector	See LED Chart
14-17	LED Board	See LED Chart
18	Socket, 3-meter	752601
19	O-Ring	250010280025
20	Body	-
21	Base	-
22	O-Ring	250010280002
23	Knuckle Subassembly	KFM050XX*
24	Screw, 1/4"-20 x 3/4"	250010290000
25	Screw, #10-24 x 3/8"	250013940000
26	Super Slot Spike	753900
27	Long Shroud	-
28	Stainless Steel Bracket	250026820000
29	Strain Relief Connector	250026840000
1-2	Lens Cap Assembly (Clear)	NPLCXX*†
1, 27	Long Shroud Lens Cap Assembly (Clear)	NPLCLSXX*†

\* XX = Powder coat color code  
 † Replace "C" with "F" for frosted lens option



OPTIONAL BRACKET MOUNT

## NP LED COMPONENTS

ITEM	DESCRIPTION	CATALOG #
3	1LED Spot Lens (18°)	770600
3	1LED Flood Lens (30°-32°)	1LEDFLENS
3	1LED Wide Flood Lens (56°-58°)	1LEDWFLENS
4	3LED Diffuser	771300
4	3LED Flood Lens (30°-32°)	3LEDFLENS
4	3LED Wide Flood Lens (56°-58°)	3LEDWFLENS
5	6LED/9LED Diffuser	771600
5	6LED/9LED Flood Lens (30°-32°)	9LEDFLENS
5	6LED/9LED Wide Flood Lens (56°-58°)	9LEDWFLENS
6	1LED Color Filter, Amber	770100
6	1LED Color Filter, Blue	770101
6	1LED Color Filter, Green	770102
7	3LED Color Filter, Amber	770800
7	3LED Color Filter, Blue	770801
7	3LED Color Filter, Green	770802
8	6LED/9LED Color Filter, Amber	771500
8	6LED/9LED Color Filter, Blue	771501
8	6LED/9LED Color Filter, Green	771502
9	1LED/3LED Screw, #4-40 x 3/8" (Qty: 2)	762400
10	6LED/9LED Screw, #4-40 x 7/16" (Qty: 3)	250014550000
11	1LED Reflector	770000
12	3LED Reflector	770700
13	6LED/9LED Reflector	771400
13	ZDC LED Reflector	250020690000
14	1LED Board	1LEDULKIT <sup>†</sup>
15	3LED Board	3LEDULKIT*
16	6LED Board	6LEDULKIT <sup>†</sup>
17	9LED Board	9LEDULKIT <sup>†</sup>
17	ZDC LED Board	ZDCKITL**

<sup>†</sup> ZD = Zoneable and dimmable (add ZD to front of part number)

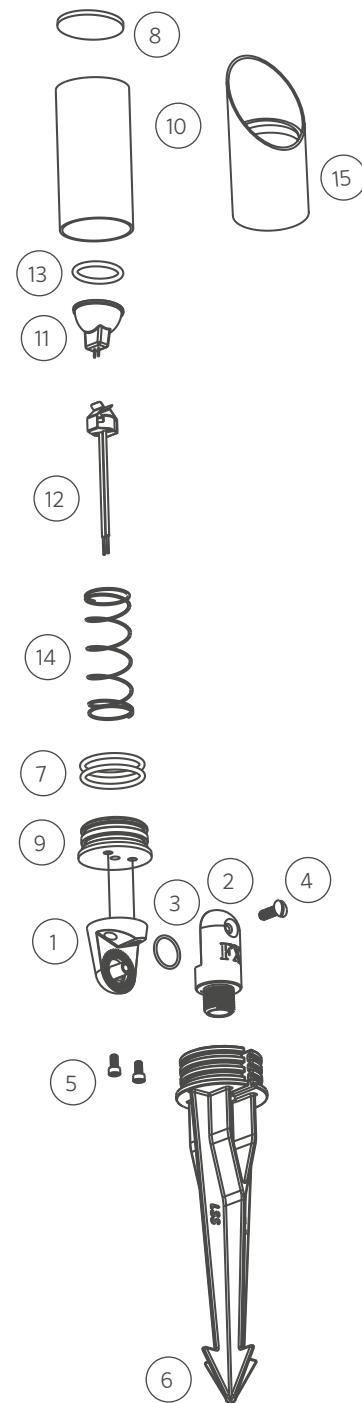
\*\*ZDC kit includes LED board, reflector (#13), screws (#10), and flood lens diffuser (9LEDFLENS)

## MR LED

ITEM	DESCRIPTION	CATALOG #
1	Base, Knuckle, Brass	-
2	Fitting, Knuckle, Brass	KFM050XX
3	O-Ring, Silicone, Orange, -019	250010280002
4	Screw, OVHD, ¼"-20 x ¾" LG, Mach, Slt'd, Brass, 82°	250010630000
5	Screw, SCH, #10-24 x ¾" LG, SST	250013940000
6	Long Slot Spike (LSS)	250015840000
7	O-Ring, Silicone, Orange, -222	250010280017
8	Lens, Clear, 13/100" Thick x 1½" Diameter	-
9	Body, MR	-
10	Shroud Assembly, Straight, MR	-
11	Lamp, Halogen, MR-11, 12V	250010450000
12	Socket Assembly, MR-11	250010440000
13	O-Ring, Silicone, Orange, -216	250010280015
14	Spring, 2"	630900
8,10	Lens Cap Assembly	MR-LC-XX
8,15	Lens Cap Assembly (Long Shroud)	MR-LC-LS-XX

\* XX = Finish code

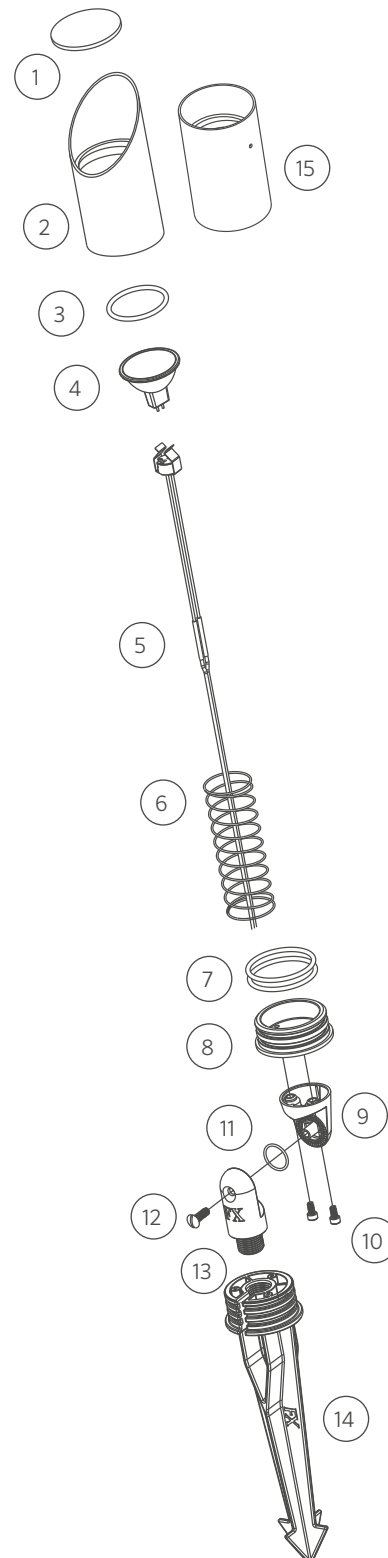
† Replace "C" with "F" for frosted lens option



LR

ITEM	DESCRIPTION	CATALOG #
1	Lens, 13/100" Thick x 2 1/40" Diameter	-
2	Shroud, Straight, LR	-
3	O-Ring, Silicone, Orange, -224	250010280006
4	Lamp, MR-16, 12V	See Lamp Chart, p. 125
5	Socket Assembly, MR-16, 18GA SPT-1	761600
6	Spring, Compression	405500
7	O-Ring, Silicone, Orange, -226	250010280025
8	Body, LR	-
9	Base, Knuckle, Brass	-
10	Screw, SCH, #10-24 x 3/8" LG, SST	250013940000
11	O-Ring, Silicone, Orange, -019	250010280002
12	Fitting, Knuckle, Brass	KFM-050-XX
13	Screw, OVHD, 1/4"-20 x 3/4" LG, Mach, Sltd, Brass, 82°	250010630000
14	Long Slot Spike (LSS)	250015840000
15	Shroud, Angled, LR	-
1-2	Lens Cap Assembly	LR-LC-XX
1, 15	Lens Cap Assembly (Long Shroud)	LR-LC-LS-XX

\* XX = Powder coat color code

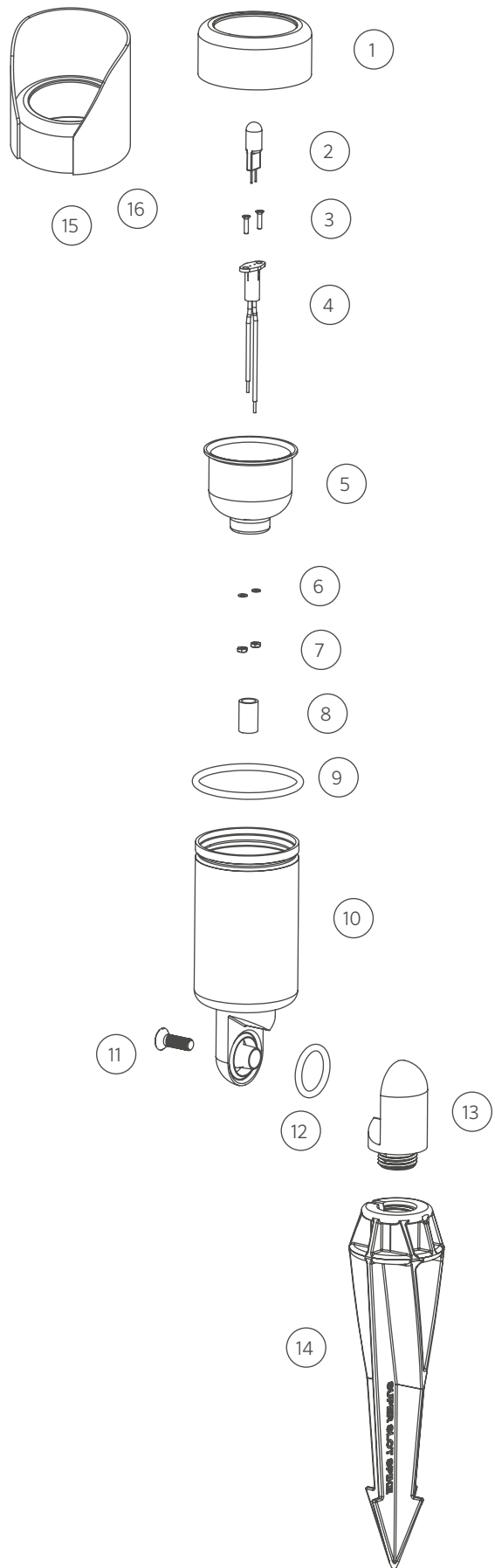




**CR**

ITEM	DESCRIPTION	CATALOG #
1	Lens Cap	CRLCXX*
2	Lamp, G4 Bi-Pin	See Lamp Chart, p. 137-139
3	Screw	-
4	Socket, T3	250010580000
5	Reflector	-
6	Washer	250010530000
7	Nut	-
8	Sleeve	-
9	O-Ring	250010280017
10	Can Assembly	-
11	Screw	250010630000
12	O-Ring	250010280005
13	Knuckle, Brass	250010610000
14	Super Slot Spike (SSS)	753900
15	Glare Shroud	2500192200XX*
16	Lens Cap	250010230000
3-8	Socket Assembly	250016000000

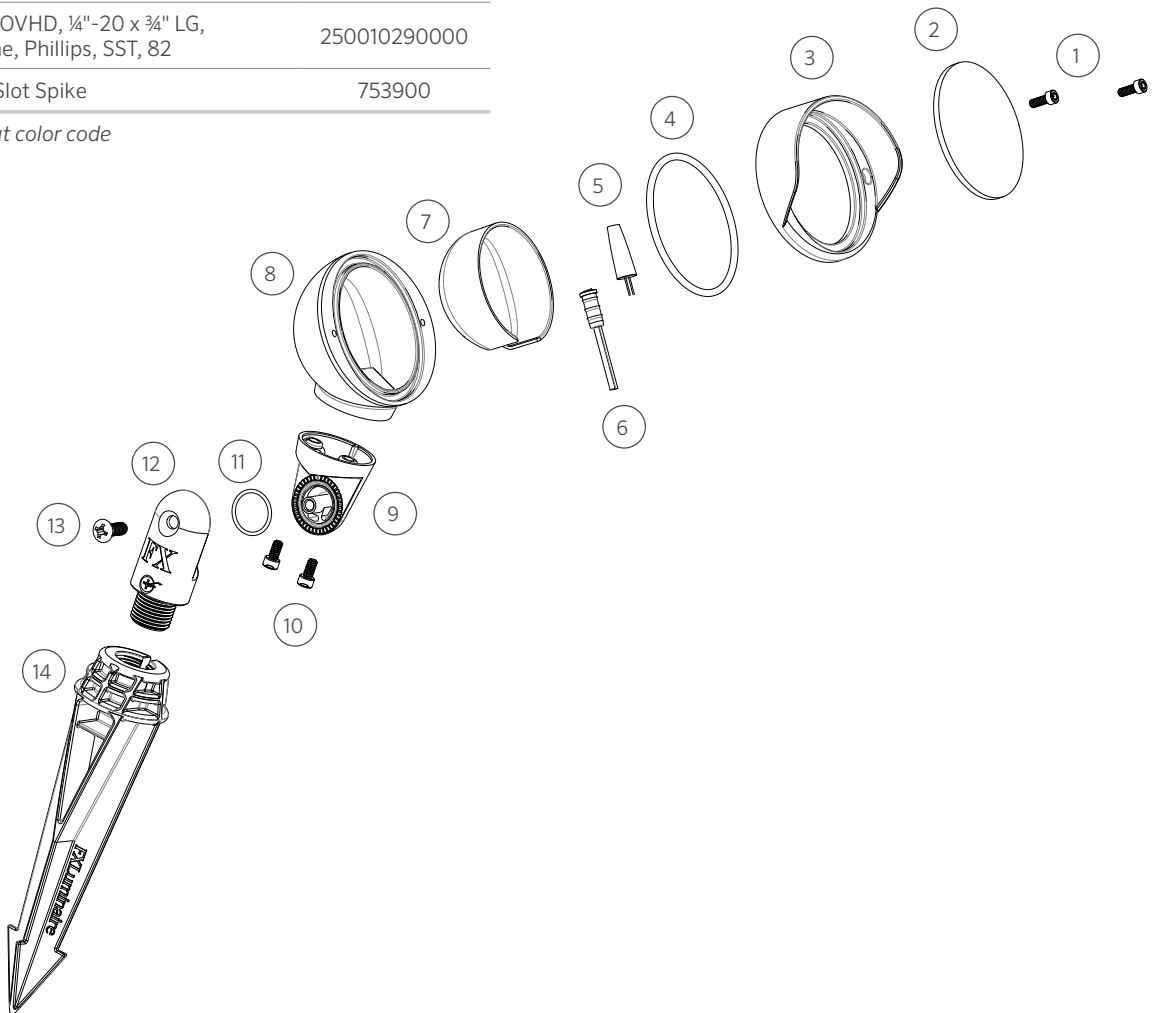
\*XX = Powder coat color code



**WS**

ITEM	DESCRIPTION	CATALOG #
1	Screw, SCH, #8-32 x 7/16" LG, Machine, 3/64" Hex, SST	250022400000
2	Lens, Frosted, WS	-
3	Shroud, WS	-
3-2	Lens Cap, Frosted	WSLFX*
4	O-Ring, Silicone, Orange, -232	250010280038
5	Lamp, G4 Bi-Pin	See Lamp Chart, p. 125
6	Connector, G4, Overmolded, 10' (3 m)	754601
7	Reflector, WS	250027710000
8	Body, WS	-
9	Base, Knuckle	2522XX*
10	Screw, SCH, #10-24 x 3/8" LG, SST	250013940000
11	O-Ring, Silicone, Orange, -019	250010280002
12	Knuckle Fitting Subassembly	KFM050XX*
13	Screw, OVHD, 1/4"-20 x 3/4" LG, Machine, Phillips, SST, 82	250010290000
14	Super Slot Spike	753900

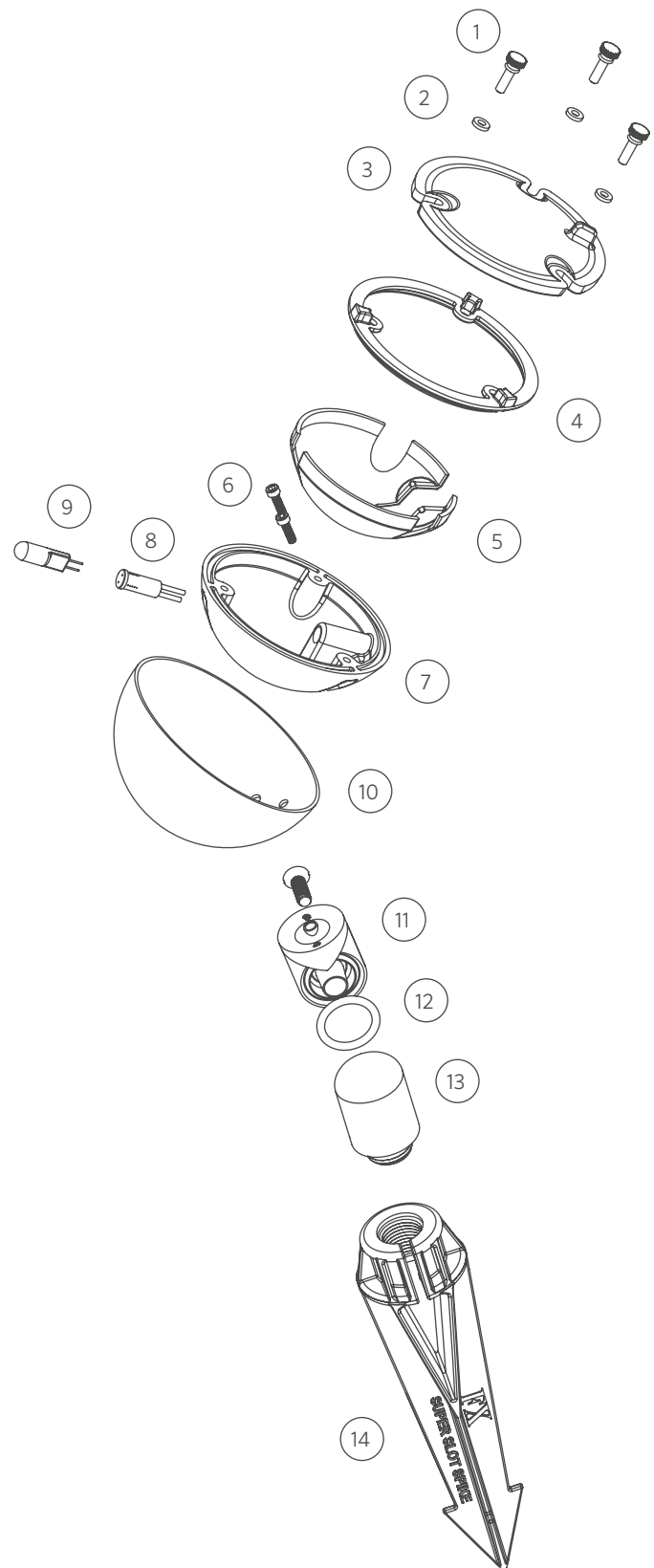
\*XX = Powder coat color code



## RL

ITEM	DESCRIPTION	CATALOG #
1	Screw, #8-32 x 1/2"	250010700000
2	Washer	250014210000
3	Lens, Frosted	RLL3*
4	Seal	250010740000
5	Reflector	250010720000
6	Screw, #6-32 x 1/2"	250010690000
7	Body	-
8	Socket	754601
9	Lamp, Xenon	See Lamp Chart, p. 137-139
10	Housing	-
11	Knuckle Base	-
12	O-Ring	250010280005
13	Knuckle, Brass	250010610000
14	Super Slot Spike	753900

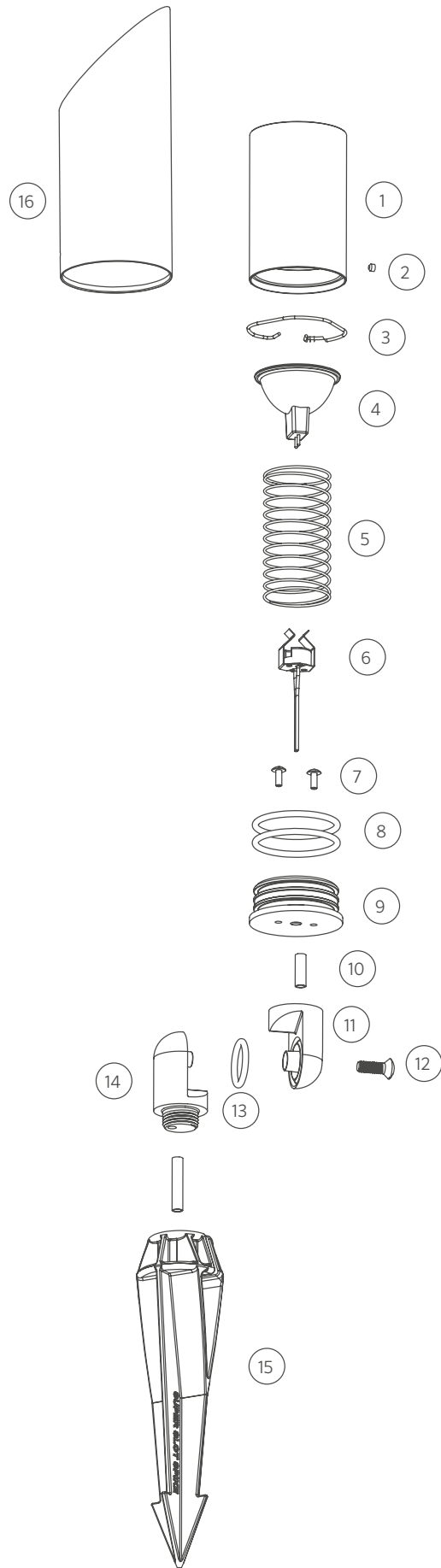
\*Order RLL1 for obsolete, single-hole option



LO

ITEM	DESCRIPTION	CATALOG #
1	Lens Cap Assembly	LOLCXX*
1	Long Shroud Lens Cap Assembly	LOLCLSXX*
2	Screw, #8-32 x 1/8"	250010320000
3	Spring	250010640000
4	Lamp, MR-16	See Lamp Chart, p. 137-139
5	Spring	-
6	Socket, MR-16	250010170000
7	Screw, #6-32 x 1/4"	250010210000
8	O-Ring	250010280017
9	Base	-
10	Tube	-
11	Fitting, Knuckle, Brass	-
12	Screw, 1/4"-20 x 3/4"	250010630000
13	O-Ring	250010280005
14	Knuckle, Brass	250010610000
15	Super Slot Spike	753900
16	Lens Cap, Long Shroud	LOLCLSXX*
	Hex Key 5/64"	250010330000

\*XX = Powder coat color code



CC LED

ITEM	DESCRIPTION	CATALOG #
1	Lens Cap Assembly (Straight, Clear)	CCLCXX* †
2	Lens Cap Assembly (Long Shroud, Clear)	CCLCLSXX* †
3-4	Beam Angle Lens	See LED Chart
5-6	Color Filter	See LED Chart
7	Screw, #4-40 x 3/8"	See LED Chart
8-9	Reflector	See LED Chart
10-11	LED Board	See LED Chart
12	Socket, 3-meter	752601
13	O-Ring	250010280016
14	Housing	-
15	Screw, 1/4"-20 x 3/4"	250010630000
16	O-Ring	250010280005
17	Knuckle, Brass	250010610000
18	Long Slot Spike (LSS)	250015840000

\* XX = Powder coat color code

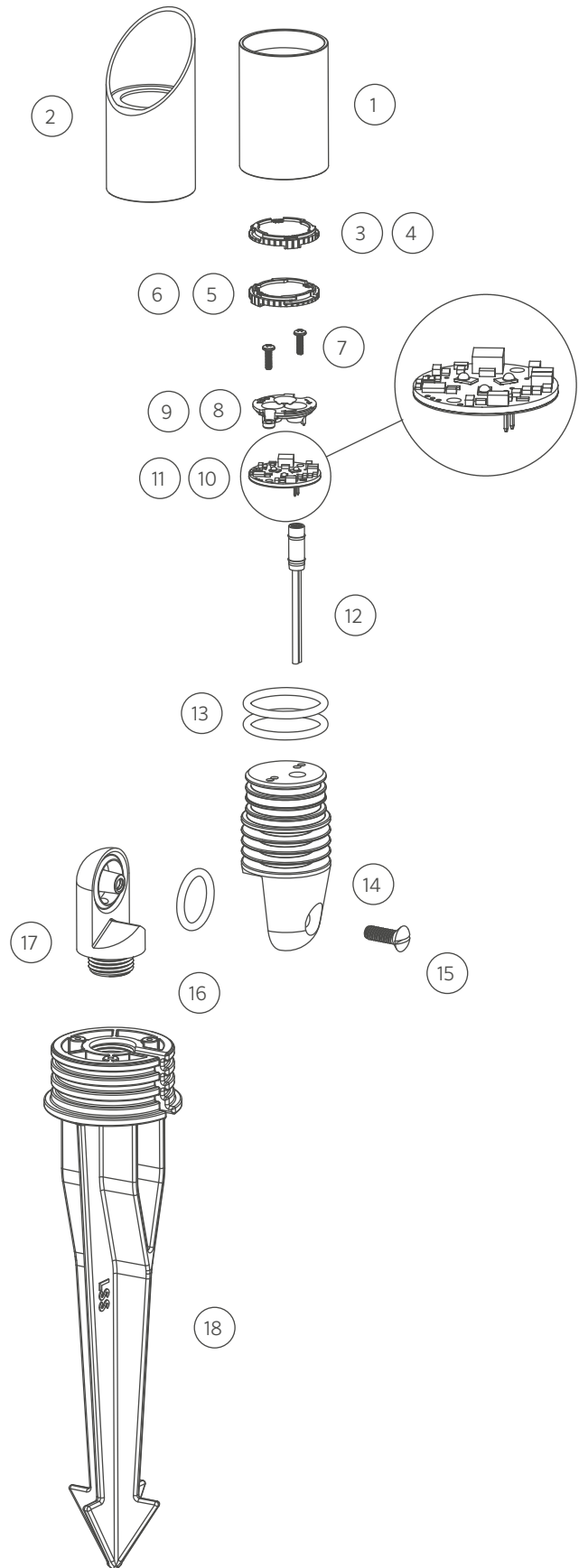
† Replace "LC" with "LF" for frosted lens option

CC LED COMPONENTS

ITEM	DESCRIPTION	CATALOG #
3	1LED Spot Lens (18°)	770600
3	1LED Flood Lens (30°-32°)	1LEDFLENS
3	1LED Wide Flood Lens (56°-58°)	1LEDWFLENS
4	3LED Diffuser	771300
4	3LED Flood Lens (30°-32°)	3LEDFLENS
4	3LED Wide Flood Lens (56°-58°)	3LEDWFLENS
5	1LED Color Filter, Amber	770100
5	1LED Color Filter, Blue	770101
5	1LED Color Filter, Green	770102
6	3LED Color Filter, Amber	770800
6	3LED Color Filter, Blue	770801
6	3LED Color Filter, Green	770802
7	1LED/3LED Screw, #4-40 x 3/8" (Qty: 2)	762400
8	1LED Reflector	770000
9	3LED Reflector	770700
9	ZDC LED Reflector	250022050000
10	1LED Board	1LEDULKIT†
11	3LED Board	3LEDULKIT†
12	ZD 3LEDT Amber LED Board	ZD3LEDTKIT
12	ZDC LED Board	ZDCKITM

† ZD = Zoneable and dimmable (add ZD to front of part number)

\*\*ZDC kit includes LED board, reflector (#9), screws (#7), and flood lens diffuser (3LEDFLENS)



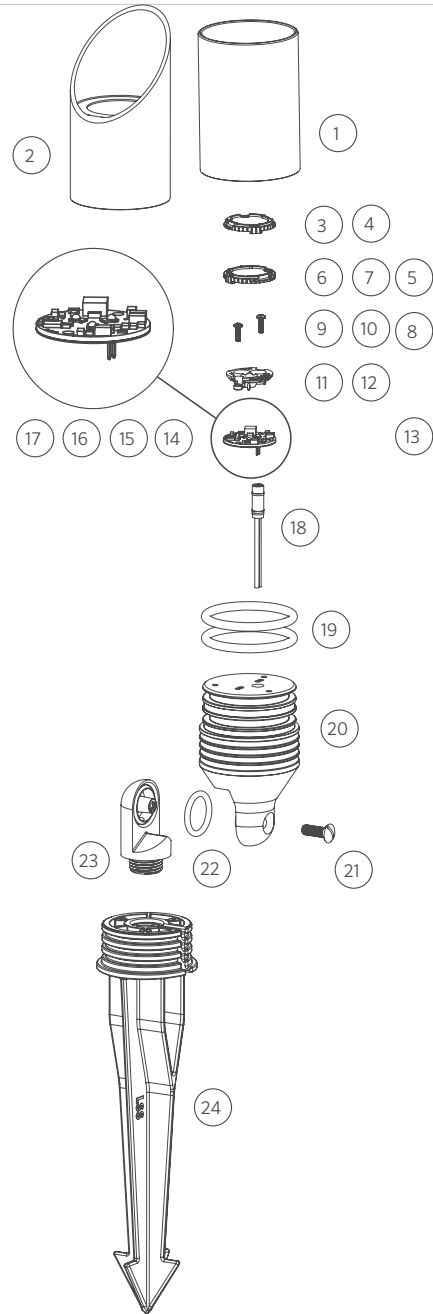
**VS LED**

ITEM	DESCRIPTION	CATALOG #
1	Lens Cap Assembly (Straight, Clear)	VSLCXX* <sup>†</sup>
2	Lens Cap Assembly (Long Shroud, Clear)	VSLCLSXX* <sup>†</sup>
3-5	Beam Angle Lens	See LED Chart
6-8	Color Filter	See LED Chart
9-10	Screw, #4-40	See LED Chart
11-13	Reflector	See LED Chart
14-17	LED Board	See LED Chart
18	Socket, 3-meter	752601
19	O-Ring	250010280020
20	Housing	-
21	Screw, ¼"-20 x ¾"	250010630000
22	O-Ring	250010280005
23	Knuckle, Brass	250010610000
24	Long Slot Spike (LSS)	250015840000

\* XX = Powder coat color code  
<sup>†</sup>Replace "C" with "F" for frosted lens options

**VS LED COMPONENTS**

ITEM	DESCRIPTION	CATALOG #
3	1LED Spot Lens (18°)	770600
3	1LED Flood Lens (30°-32°)	1LEDFLENS
3	1LED Wide Flood Lens (56°-58°)	1LEDWFLENS
4	3LED Spot Lens (18°)	771300
4	3LED Flood Lens (30°-32°)	3LEDFLENS
4	3LED Wide Flood Lens (56°-58°)	3LEDWFLENS
5	6LED/9LED Spot Lens (18°)	771600
5	6LED/9LED Flood Lens (30°-32°)	9LEDFLENS
5	6LED/9LED Wide Flood Lens (56°-58°)	9LEDWFLENS
6	1LED Color Filter, Amber	770100
6	1LED Color Filter, Blue	770101
6	1LED Color Filter, Green	770102
7	3LED Color Filter, Amber	770800
7	3LED Color Filter, Blue	770801
7	3LED Color Filter, Green	770802
8	6LED/9LED Color Filter, Amber	771500
8	6LED/9LED Color Filter, Blue	771501
8	6LED/9LED Color Filter, Green	771502
9	1LED/3LED Screw, #4-40 x ¾" (Qty: 2)	762400



ITEM	DESCRIPTION	CATALOG #
10	6LED/9LED Screw, #4-40 x 7/16" (Qty: 3)	250014550000
11	1LED Reflector	770000
12	3LED Reflector	770700
13	6LED/9LED Reflector	771400
13	ZDC LED Reflector	250020690000
14	1LED Board	1LEDULKIT <sup>‡</sup>
15	3LED Board	3LEDULKIT <sup>*</sup>
16	6LED Board	6LEDULKIT <sup>‡</sup>
17	9LED Board	9LEDULKIT <sup>‡</sup>
17	ZDC LED Board	ZDCKITL <sup>**</sup>

<sup>‡</sup> ZD = Zoneable and dimmable (add ZD to front of part number)  
<sup>\*\*</sup> ZDC kit includes LED board, reflector (#13), screws (#10), and flood lens (9LEDFLENS)

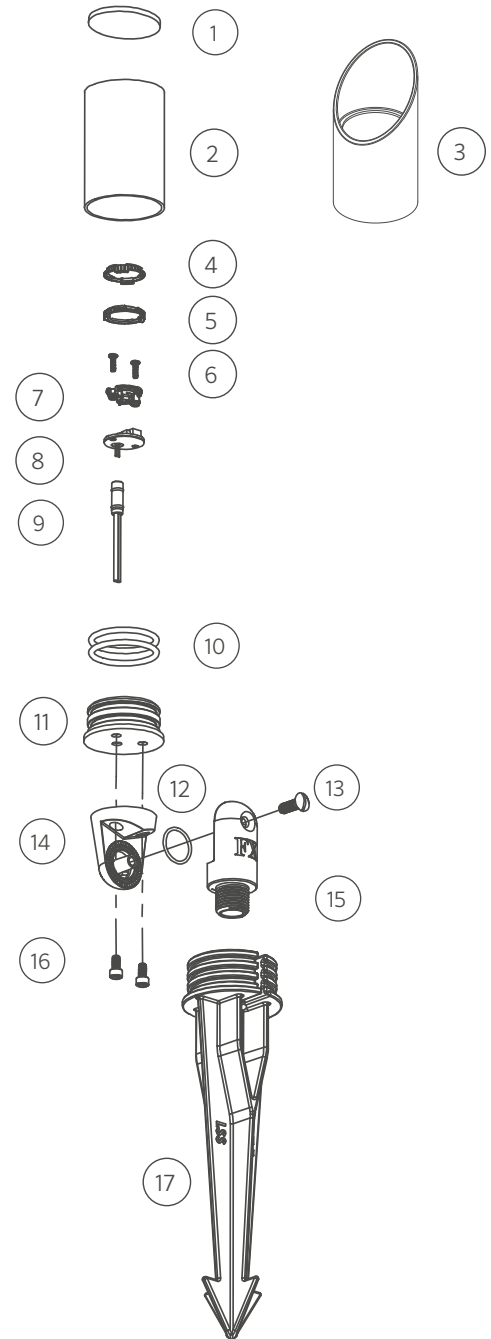
**FR LED**

ITEM	DESCRIPTION	CATALOG #
1	Lens, Clear, 1 <sup>3</sup> / <sub>100</sub> " Thick x 1 1/2" Diameter	-
1-2	Shroud Assembly, Straight	FRLCXX
1, 3	Shroud Assembly, Long Shroud	FRLCLSXX
4	Beam Angle Lens	See LED Chart
5	Color Filter	See LED Chart
6	Screw, PNH, #4-40 x 3/8" LG, Mach, Phillips, SST	See LED Chart
7	Reflector	See LED Chart
8	LED Board	See LED Chart
9	Socket, 3-meter	752601
10	O-Ring	250010280017
11	Body, FR	-
12	O-Ring	250010280002
13	Screw, OVHD, 1/4"-20 x 3/4" LG, Mach, SLTD, Brass	250010630000
14	Base, Knuckle, Brass	-
15	Fitting, Knuckle, Brass	KFM050XX
16	Screw, SCH, #10-24 x 3/8" LG, SST	250013940000
17	Long Slot Spike (LSS)	250015840000

† Replace "C" with "F" for frosted lens option  
 \* XX = Powder coat color code

**FR LED COMPONENTS**

ITEM	DESCRIPTION	CATALOG #
4	1LED Spot Lens (18°)	770600
4	1LED Flood Lens (30°-32°)	1LEDFLENS
4	1LED Wide Flood Lens (56°-58°)	1LEDWFLENS
4	3LED Spot Lens (18°)	771300
4	3LED Flood Lens (30°-32°)	3LEDFLENS
4	3LED Wide Flood Lens (56°-58°)	3LEDWFLENS
5	1LED Color Filter, Amber	770100
5	1LED Color Filter, Blue	770101
5	1LED Color Filter, Green	770102
5	3LED Color Filter, Amber	770800
5	3LED Color Filter, Blue	770801
5	3LED Color Filter, Green	770802
6	1LED/3LED Screw, 4-40 x 3/8" (Qty Req: 2)	762400
7	1LED Reflector	770000



ITEM	DESCRIPTION	CATALOG #
7	3LED Reflector	770700
7	ZDC Reflector	250022050000
8	1LED Board	1LEDULKIT <sup>†</sup>
8	3LED Board	3LEDULKIT <sup>†</sup>
8	ZD 3LEDT Amber LED Board	ZD3LEDTKIT
8	ZDC LED Board	ZDCKITM <sup>**</sup>

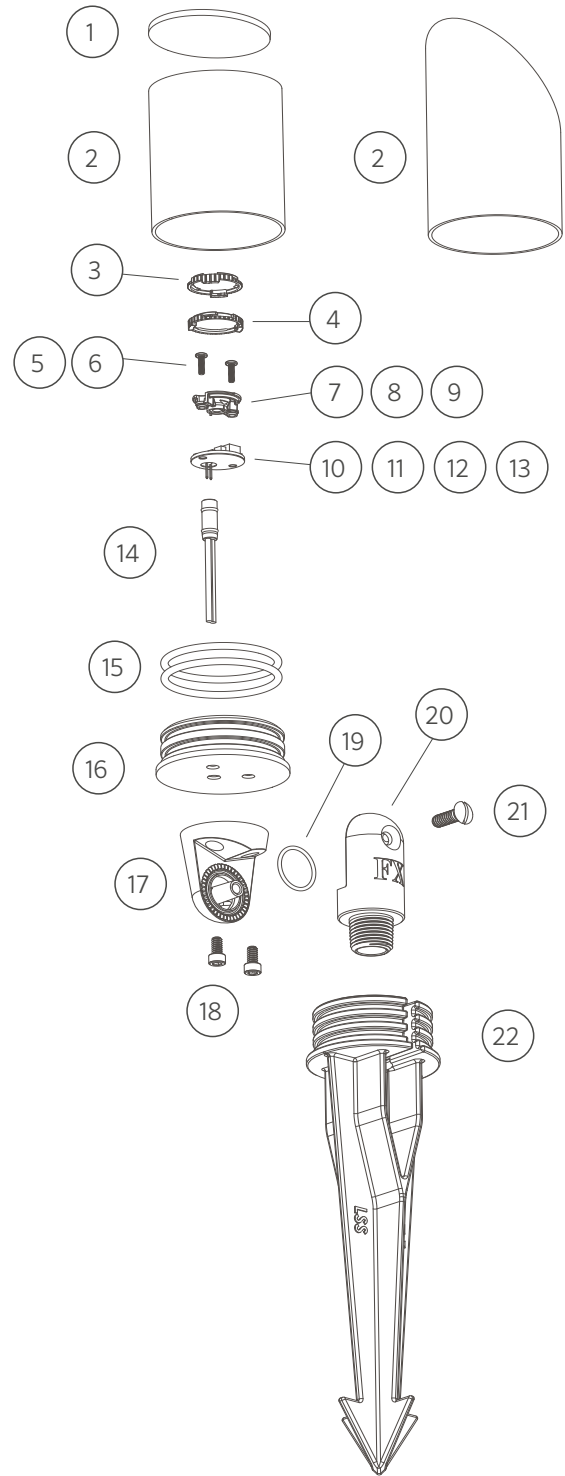
<sup>†</sup> ZD = Zoneable and dimmable (add ZD to front of part number)  
<sup>\*\*</sup> ZDC kit includes LED board, reflector (#9), screws (#7), and flood lens diffuser (3LEDWFLENS)

NR LED

ITEM	DESCRIPTION	CATALOG #
1	Lens	-
2	Shroud, Straight or Angled (Long)	-
3	Beam Angle Lens	See LED Chart
4	Color Filter	See LED Chart
5-6	Screw, #4-40	See LED Chart
7-9	Reflector	See LED Chart
10-13	LED Board	See LED Chart
14	Socket, 3-meter	752601
15	O-Ring, Silicone, Orange	250010280025
16	Body, NR	-
17	Base, Knuckle, Brass	-
18	Screw, SCH, #10-24 x 3/8"	250013940000
19	O-Ring, Silicone, Orange	250010280002
20	Fitting, Knuckle, Brass	KFM050XX
21	Screw, 1/4"-20 x 3/4"	250010630000
22	Long Slot Spike (LSS)	250015840000
1-2, 15	Lens Cap Assembly (Straight, Clear)	NRLCXX*†
1-2, 15	Lens Cap Assembly (Angled, Clear)	NRLCLSXX*†

\*XX = Finish code

† Replace "C" with "F" for frosted lens options





## NR LED COMPONENTS

ITEM	DESCRIPTION	CATALOG #
3	1LED Spot Lens (18°)	770600
3	1LED Flood Lens (30°-32°)	1LEDFLENS
3	1LED Wide Flood Lens (56°-58°)	1LEDWFLENS
3	3LED Spot Lens (18°)	771300
3	3LED Flood Lens (30°-32°)	3LEDFLENS
3	3LED Wide Flood Lens (56°-58°)	3LEDWFLENS
3	6LED/9LED Spot Lens (18°)	771600
3	9LED Flood Lens (30°-32°)	9LEDFLENS
3	9LED Wide Flood Lens (56°-58°)	9LEDWFLENS
4	1LED Color Filter, Amber	770100
4	1LED Color Filter, Blue	770101
4	1LED Color Filter, Green	770102
4	3LED Color Filter, Amber	770800
4	3LED Color Filter, Blue	770801
4	3LED Color Filter, Green	770802
4	6LED/9LED Color Filter, Amber	771500
4	6LED/9LED Color Filter, Blue	771501
4	6LED/9LED Color Filter, Green	771502
5	1LED/3LED Screw, #4-40 x 3/8" (Qty: 2)	762400
6	6LED/9LED Screw, #4-40 x 7/16" (Qty: 3)	250014550000
7	1LED Reflector	770000
8	3LED Reflector	770700
9	6LED/9LED Reflector	771400
9	ZDC LED Reflector	250020690000
10	1LED Board	1LEDULKIT <sup>‡</sup>
11	3LED Board	3LEDULKIT* / ZDC3LEDKIT**
12	6LED Board	6LEDULKIT <sup>‡</sup>
13	9LED Board	9LEDULKIT <sup>‡</sup>
13	ZDC LED Board	ZDCKITL**

<sup>‡</sup> ZD = Zoneable and dimmable (add ZD to front of part number)

\*\* ZDC kit includes LED board, reflector (#9), screws (#6), and flood lens diffuser (9LEDFLENS)

**PB**

ITEM	DESCRIPTION	CATALOG #
1	Lens Cap	PBLCXX*
2	O-Rings	250025950000
3	Color Filter	See LED Chart
4	Screw, #4-40 x 3/8"	762400
5-6	Reflector	See LED Chart
7-8	LED Board	See LED Chart
9	Socket, 3-meter	752601
10	Housing	-
11	Screw, #10-24 x 3/8"	250013940000
12	O-Ring	250010280002
13	Knuckle Subassembly	KFM050XX*
14	Screw, 1/4"-20 x 3/4"	250010290000
15	Super Slot Spike	753900
	Hex Key, 5/32"	250016040000

\*XX = Powder coat color code

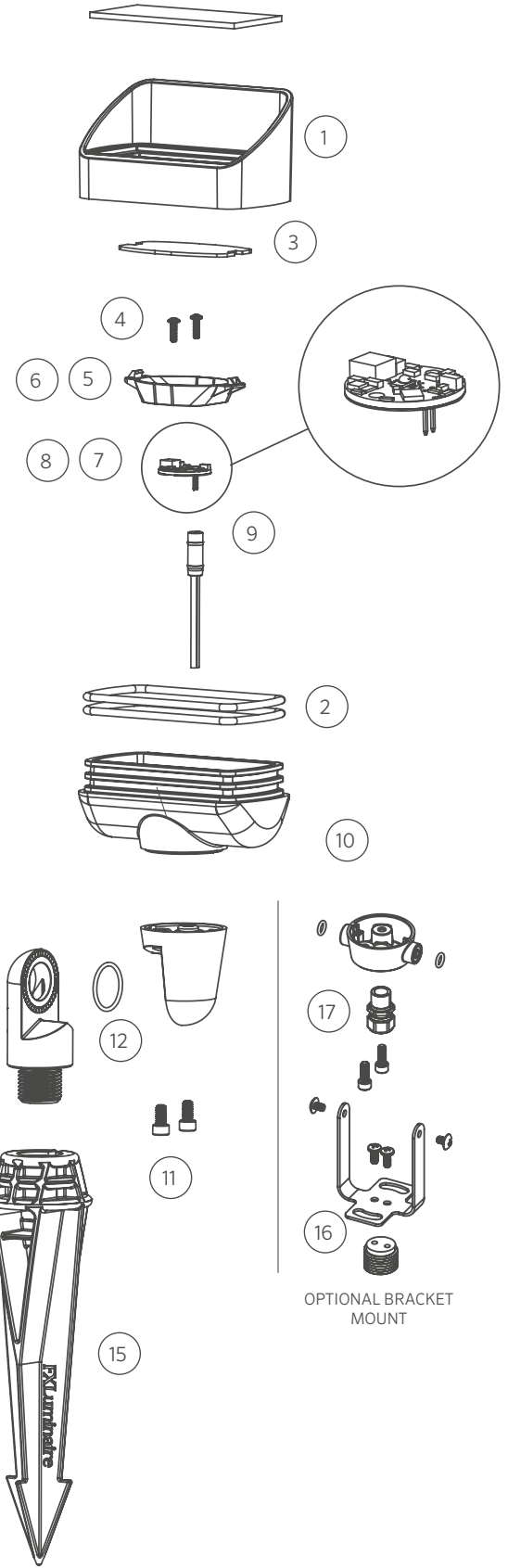
**PB LED COMPONENTS**

ITEM	DESCRIPTION	CATALOG #
3	Color Filter, Amber, PB	763200
3	Color Filter, Blue, PB	763201
3	Color Filter, Green, PB	763202
5	1LED Reflector, PB	763000
6	3LED Reflector, PB	763100
	ZDC Reflector	250022050000
7	1LED Board	1LEDULKIT <sup>†**</sup>
8	3LED Board	3LEDULKIT <sup>†**</sup>
8	ZD 3LEDT Amber LED Board	ZD3LEDTKIT
16	Stainless Steel Bracket	250026820000
17	Strain Relief Connector	250026840000
	ZDC LED Board	ZDCKITM <sup>†</sup>

<sup>‡</sup> ZD = Zoneable and dimmable (add ZD to front of part number)

<sup>\*\*</sup> Kits do not include PB/LC reflectors and colored filters; must order separately

<sup>†</sup> ZDC kit includes LED board, reflector, screws, and flood lens (3LEDFLLENS)



LC LED

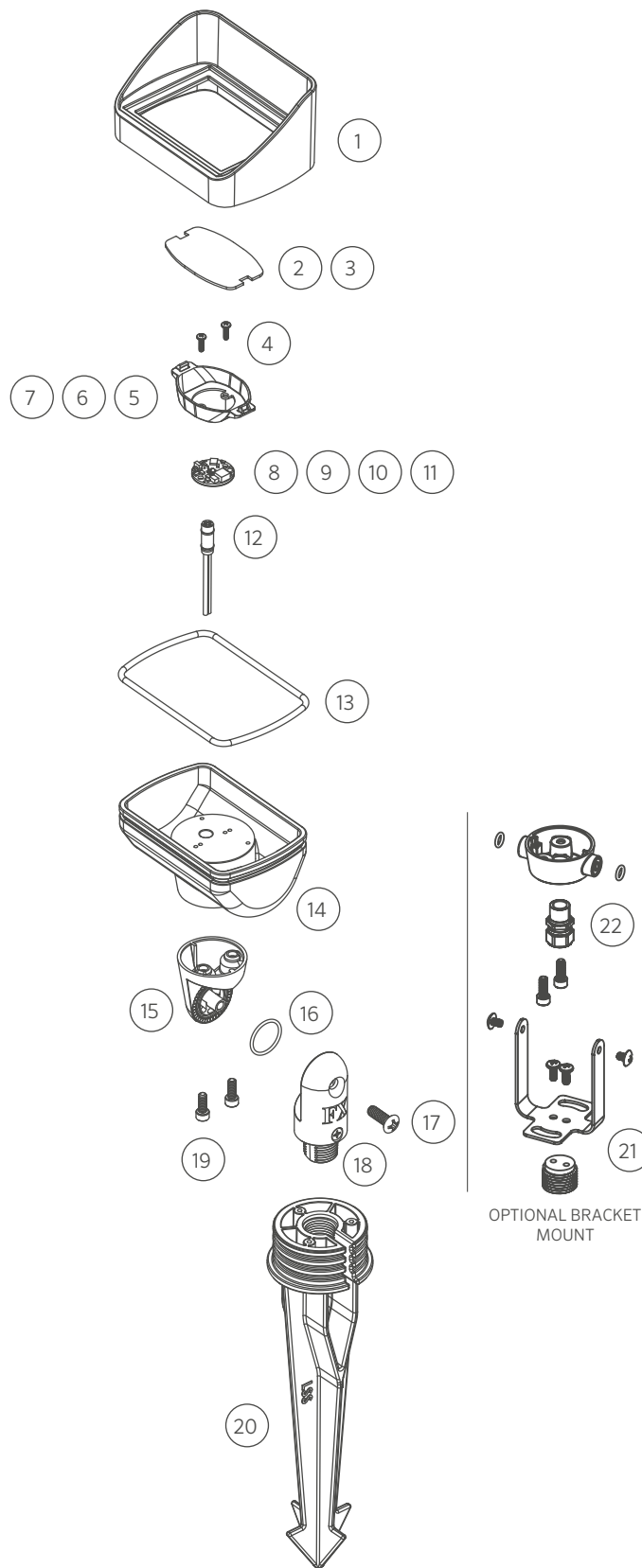
ITEM	DESCRIPTION	CATALOG #
1	Lens Cap	LCLCXX*
2-3	Color Filter	See LED Chart
4	Screw	See LED Chart
5-7	Reflector	See LED Chart
8-11	LED Board	See LED Chart
12	Socket, 3-meter	752601
13	O-Ring	250028620000
14	Body	-
15	Base	-
16	O-Ring	250010280002
17	Screw, 1/4"-20 x 3/4"	250010290000
18	Subassembly	KFM050XX*
19	Screw, #10-24 x 3/8"	250013940000
20	Long Slot Spike (LSS)	250015840000
21	Stainless Steel Bracket	250026820000
22	Strain Relief Connector	250026840000

\*XX = Powder coat color code

LC LED COMPONENTS

ITEM	DESCRIPTION	CATALOG #
2	1LED/3LED Color Filter, Amber	763200
2	1LED/3LED Color Filter, Blue	763201
2	1LED/3LED Color Filter, Green	763202
3	6LED/9LED Color Filter, Amber	250016560000
3	6LED/9LED Color Filter, Blue	250016560001
3	6LED/9LED Color Filter, Green	250016560002
4	1LED/3LED Screw, #4-40 x 3/8" (Qty: 2)	762400
4	6LED/9LED Screw, #4-40 x 7/16" (Qty: 3)	250014550000
5	1LED Reflector	763000
6	3LED Reflector	763100
6	ZDC LED Reflector	250020690000
7	6LED/9LED Reflector	250016450000
8	1LED Board	1LEDULKIT <sup>†**</sup>
9	3LED Board	3LEDULKIT <sup>†**</sup>
10	6LED Board	6LEDULKIT <sup>†**</sup>
11	9LED Board	9LEDULKIT <sup>†**</sup>
11	ZDC LED Board	ZDCKITL <sup>†</sup>

<sup>‡</sup> ZD = Zoneable and dimmable (add ZD to front of part number)  
<sup>\*\*</sup> Kits do not include PB/LC reflectors and colored filters; must order separately  
<sup>†</sup> ZDC kit includes LED board, ZDC reflector, screws, and flood lens (9LEDFLLENS)



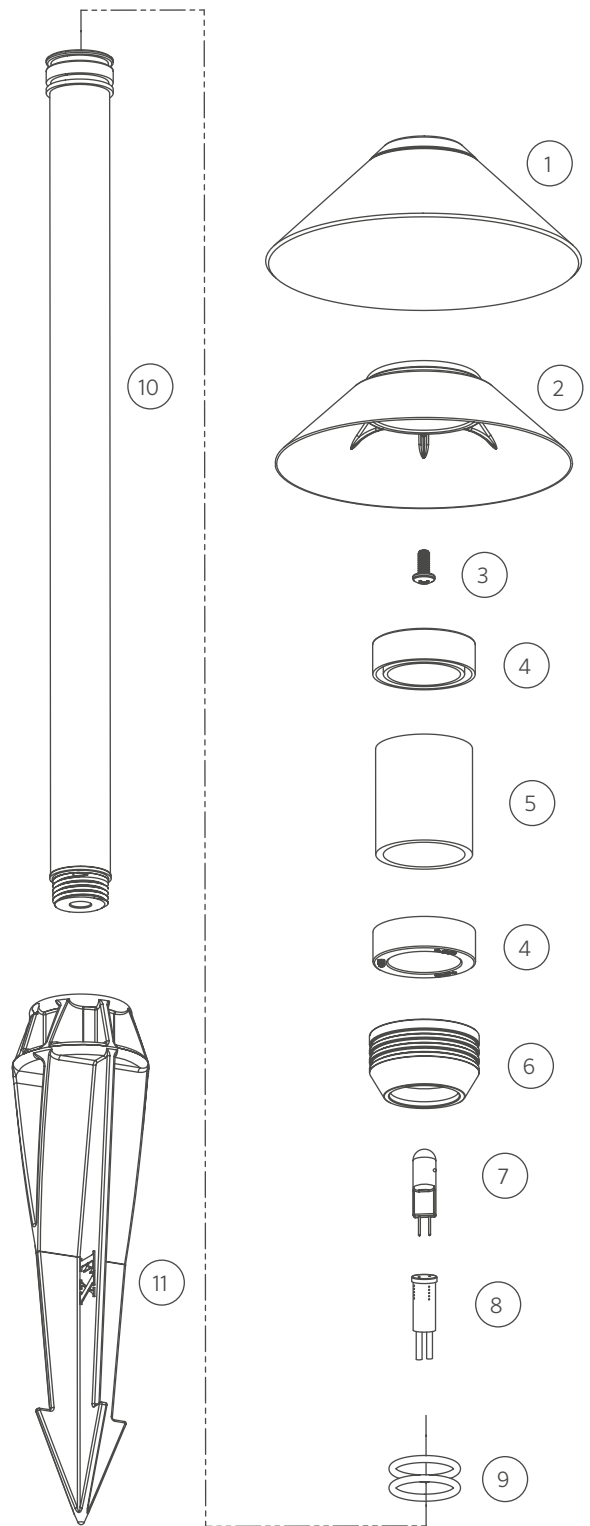
# PATH LIGHTS

## BD

ITEM	DESCRIPTION	CATALOG #
1	Copper Top and Brass Cap	-
2	Reflector	250012180000
3	Screw, #8-32 x 3/8"	250011950000
4	Seal	250012140000
5	Lens	250012120000
6	Reducer	250012090000
7	Lamp, G4 Bi-Pin	See Lamp Chart, p. 137-139
8	Socket, G4	754601
9	O-Ring	250010280004
10	Riser Subassembly, 3/4" Diameter	YYRA075XX*
11	Super Slot Spike	753900
1-6	Top Assembly	BDTAXX <sup>§</sup>
2-6	Lens Assembly	BDEASCLA

\* YY = Riser height in inches, XX = Powder coat color code

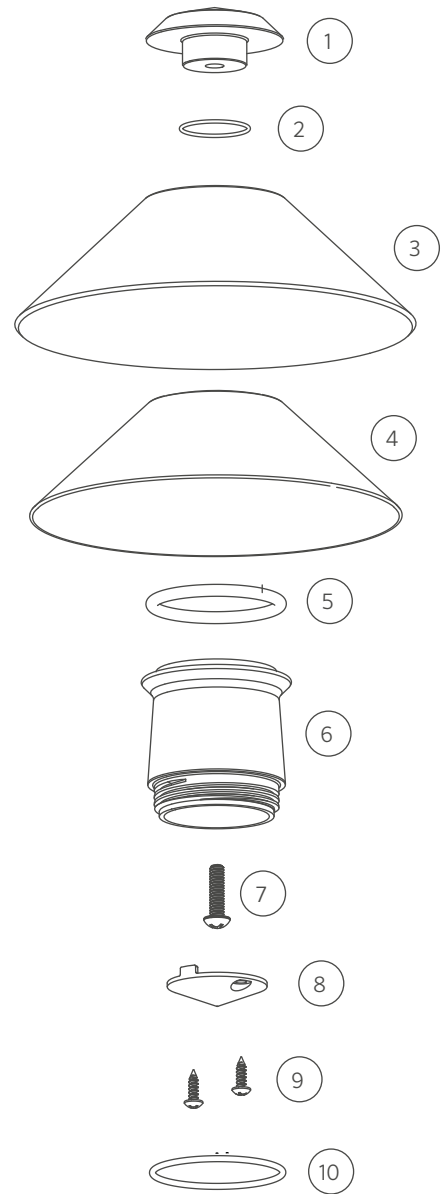
<sup>§</sup> Not interchangeable with BD LED Top Assembly



**BD LED TOP ASSEMBLY**

ITEM	DESCRIPTION	CATALOG #
1	Cap, Brass	2500121500XX*
2	O-Ring	250010280001
3	Top, Copper	-
4	Reflector, White	250015830000
5	O-Ring	250010280010
6	Lens	753100
7	Screw, #8-32 x 5/8"	250012390000
8	Reflector, Chrome	-
9	Screw, #4 x 3/8"	-
10	O-Ring	250010280033
8-9	Petite Cone Kit	PCONEKIT

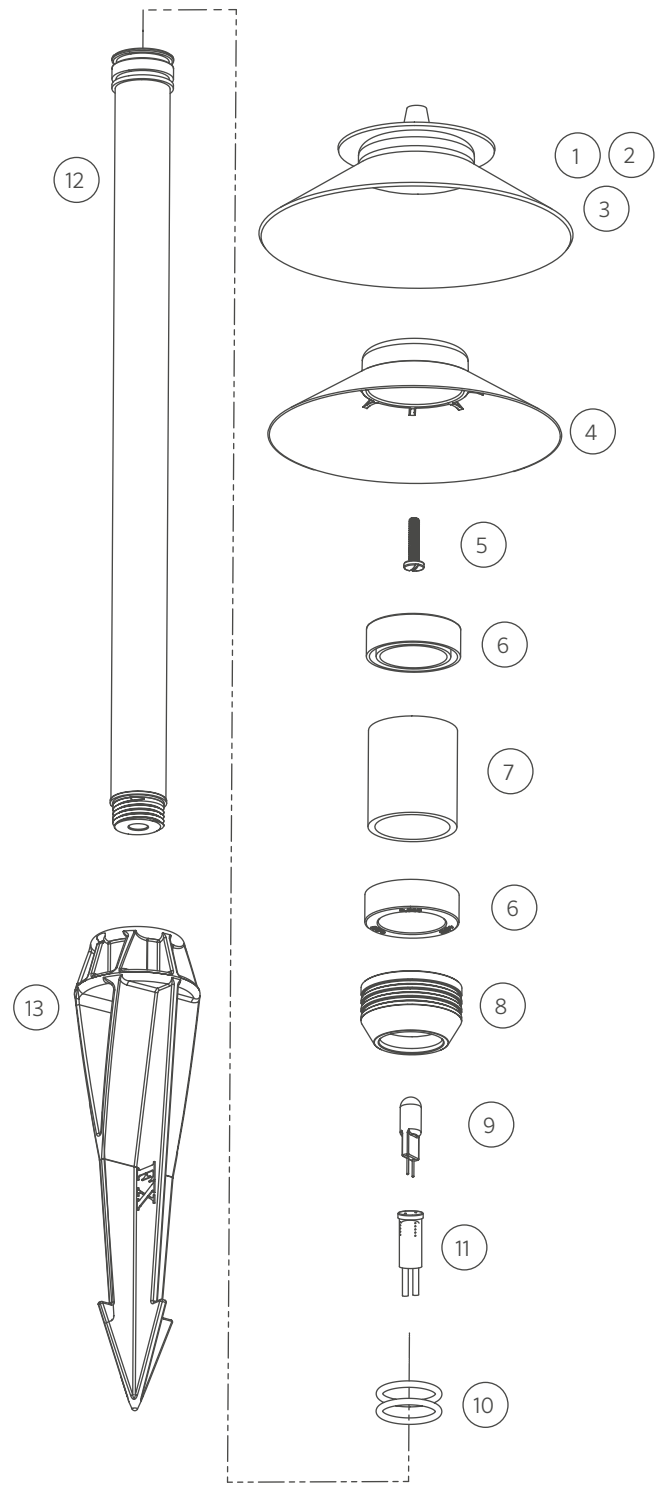
\*XX = Powder coat color code



**PF**

ITEM	DESCRIPTION	CATALOG #
1	Copper Top	2500119000XX*
2	Copper Shade	2500122900XX*
3	Brass Cap	2500123000XX*
4	Reflector	250012330000
5	Screw, #8-32 x 3/4"	250012320000
6	Seal, Silicone	250012140000
7	Lens	250012120000
8	Reducer	250012090000
9	Lamp, G4 Bi-Pin	See Lamp Chart, p. 137-139
10	O-Ring	250010280004
11	Socket, G4	754601
12	Riser Subassembly	YYRA075XX*
13	Super Slot Spike	753900
1-6	Top Assembly	PFTAXX* <sup>5</sup>
2-6	Lens Assembly	PFLA

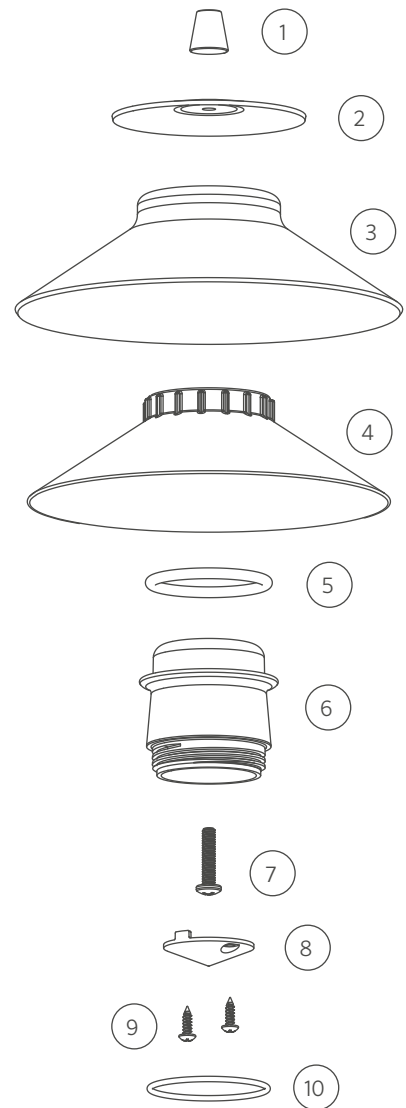
\* YY = Riser height in inches, XX = Powder coat color code  
<sup>5</sup> Not interchangeable with PF LED Top Assembly



**PF LED TOP ASSEMBLY**

ITEM	DESCRIPTION	CATALOG #
1	Cap, Brass	2500123000XX*
2	Shade	-
3	Top, Copper	-
4	Reflector, White	250015820000
5	O-Ring	250010280010
6	Lens	753200
7	Screw, #8-32 x 3/4"	250018780000
8	Reflector, Chrome	-
9	Screw, #4 x 3/8"	-
10	O-Ring	250010280033
8-9	Petite Cone Kit	PCONEKIT

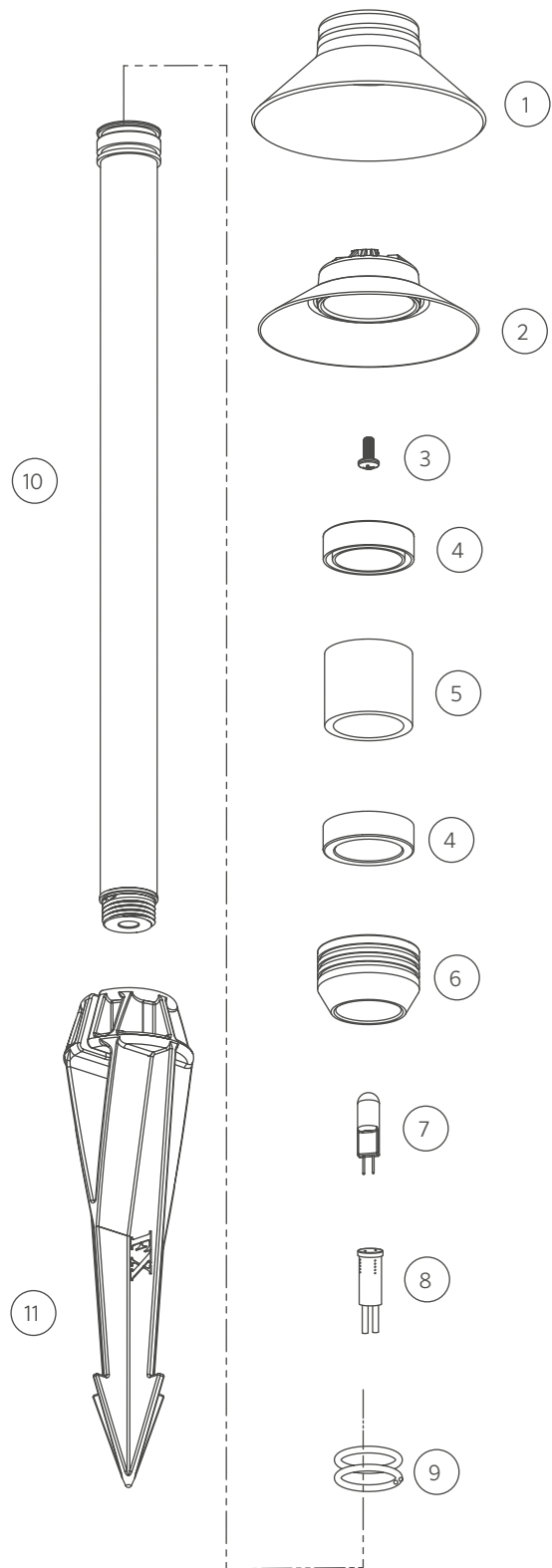
\* XX = Powder coat color code



SP

ITEM	DESCRIPTION	CATALOG #
1	Copper Top and Brass Cap	-
2	Reflector	250016020000
3	Screw, #8-32 x 3/8"	250011950000
4	Seal	250011980000
5	Glass Lens	250011960000
6	Reducer	250011820000
7	Lamp, G4 Bi-Pin	See Lamp Chart, p. 137-139
8	Socket, G4	754601
9	O-Ring	250010280004
10	Riser Assembly	YYRA075XX*
11	Super Slot Spike	753900
1-6	Top Assembly	SPTAXX*
2-6	Lens Assembly	SPLA

\* YY = Riser height in inches, XX = Powder coat color code

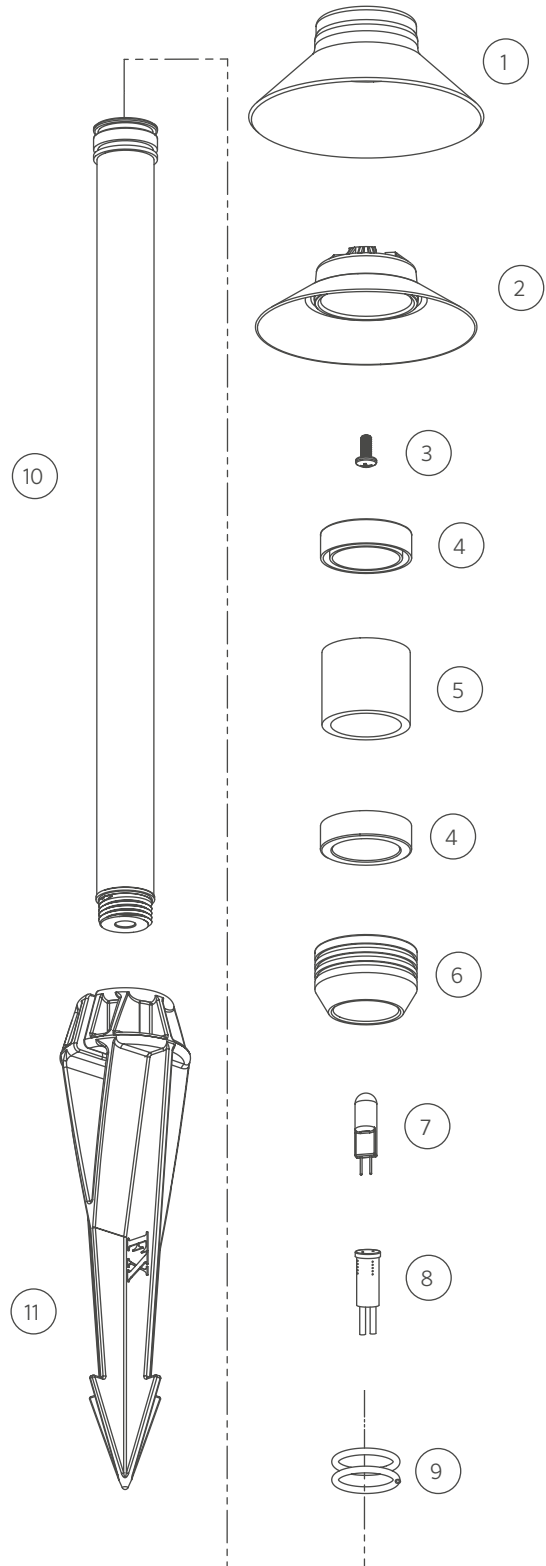




**SP-A**

ITEM	DESCRIPTION	CATALOG #
1-6	Top, AL, SP	SPA-TA-XX
2-6	Lens Assembly	SPLA
2	Reflector, SP	250016020000
3	Screw, PNH, #8-32 x 19/64" LG, Mach, Phillips, SST	250011950000
4	Seal, Silicone, 1.398 Dia x 0.400 H	250011980000
5	Lens, Glass, 1.335 Dia x 1.181 H	250011960000
6	Reducer, Al, Petite, INC	2500259800XX
7	Lamp, LED, G4, 2,700K, 20W, 12V	G4LED20W
8	Overmolded Connector	754601
9	O-Ring, Silicone, Orange, -115	250010280004
10	Riser Subassembly, 3/4" Diameter NOM, INC, AL	12R-SP-AL
11	Super Slot Spike	753900

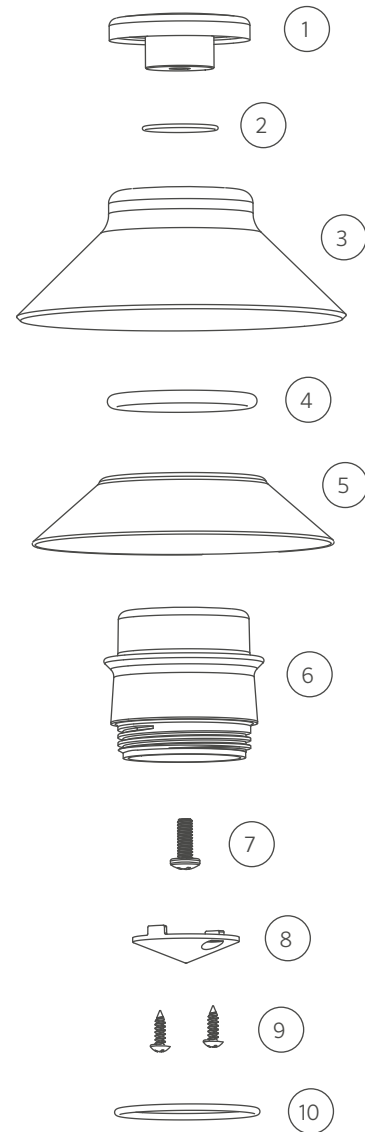
\* YY = Riser height in inches, XX = Finish code



HC LED TOP ASSEMBLY

ITEM	DESCRIPTION	CATALOG #
1	Cap, Brass	2500118000XX*
2	O-Ring	250010280001
3	Top, Copper	-
4	O-Ring	250010280010
5	Reflector, White	756200
6	Lens	753000
7	Screw, #8-32 x 7/16"	750103
8	Reflector, Chrome	-
9	Screw, #4 x 3/8"	-
10	O-Ring	250010280033
8-9	Petite Cone Kit	PCONEKIT

\*XX = Powder coat color code

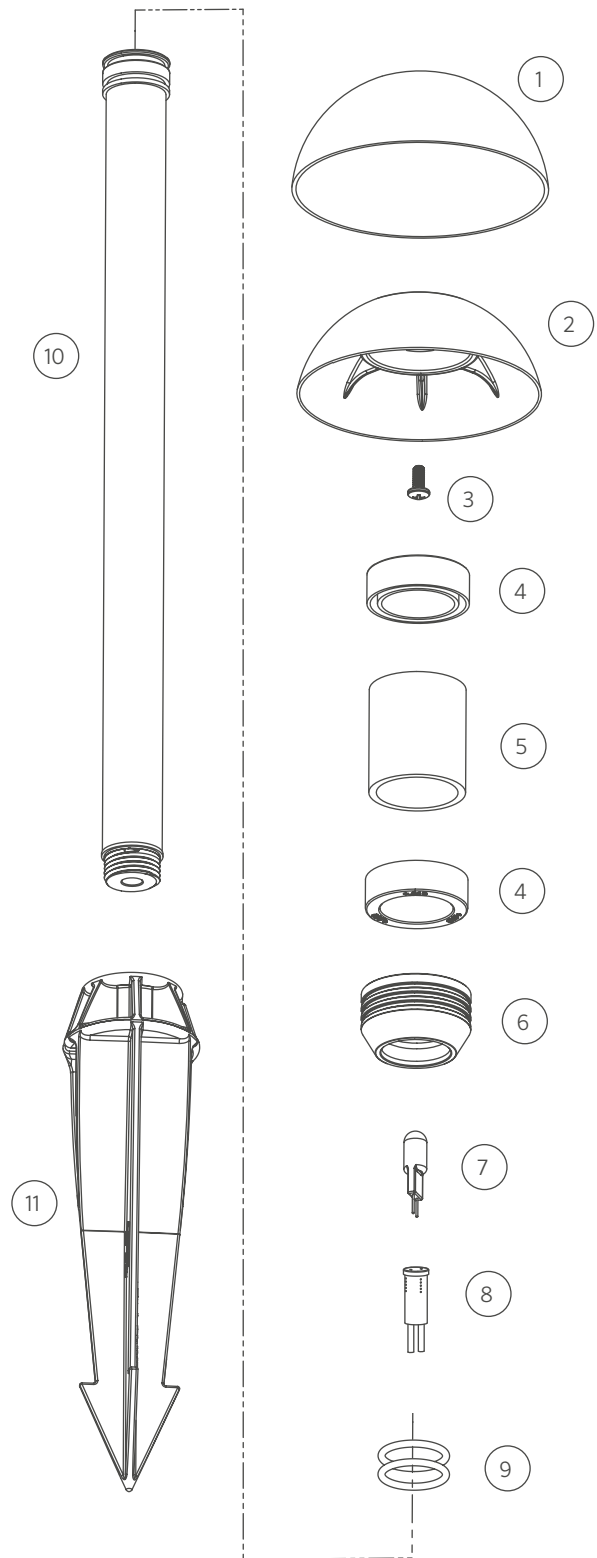


**PR**

ITEM	DESCRIPTION	CATALOG #
1	Copper Top and Brass Cap	-
2	Reflector	250012330000
3	Screw, #8-32 x 3/8"	250011950000
4	Seal	250012140000
5	Lens	250012120000
6	Reducer	250012090000
7	Lamp	See Lamp Chart, p. 137-139
8	O-Ring	250010280004
9	Socket, G4	754601
10	Riser Subassembly	YYRA075XX*
11	Super Slot Spike	753900
1-6	Top Assembly	PRTAXX <sup>§</sup>
2-6	Lens Assembly	PRLA

\* YY = Riser height in inches, XX = Powder coat color code

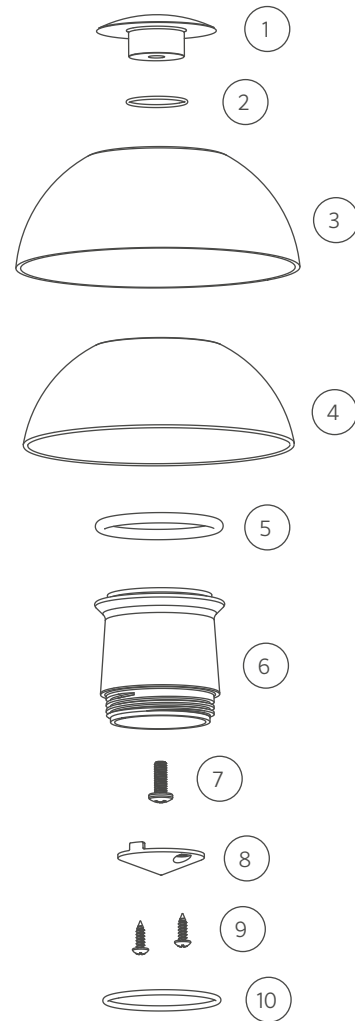
<sup>§</sup> Not interchangeable with PR LED Top Assembly



**PR LED TOP ASSEMBLY**

ITEM	DESCRIPTION	CATALOG #
1	Cap, Brass	2500118900XX*
2	O-Ring	250010280001
3	Top, Copper	-
4	Reflector, White	250015810000
5	O-Ring	250010280010
6	Lens	753100
7	Screw, #8-32 x 7/16"	750103
8	Reflector, Chrome	-
9	Screw, #4 x 3/8"	-
10	O-Ring	250010280033
8-9	Petite Cone Kit	PCONEKIT

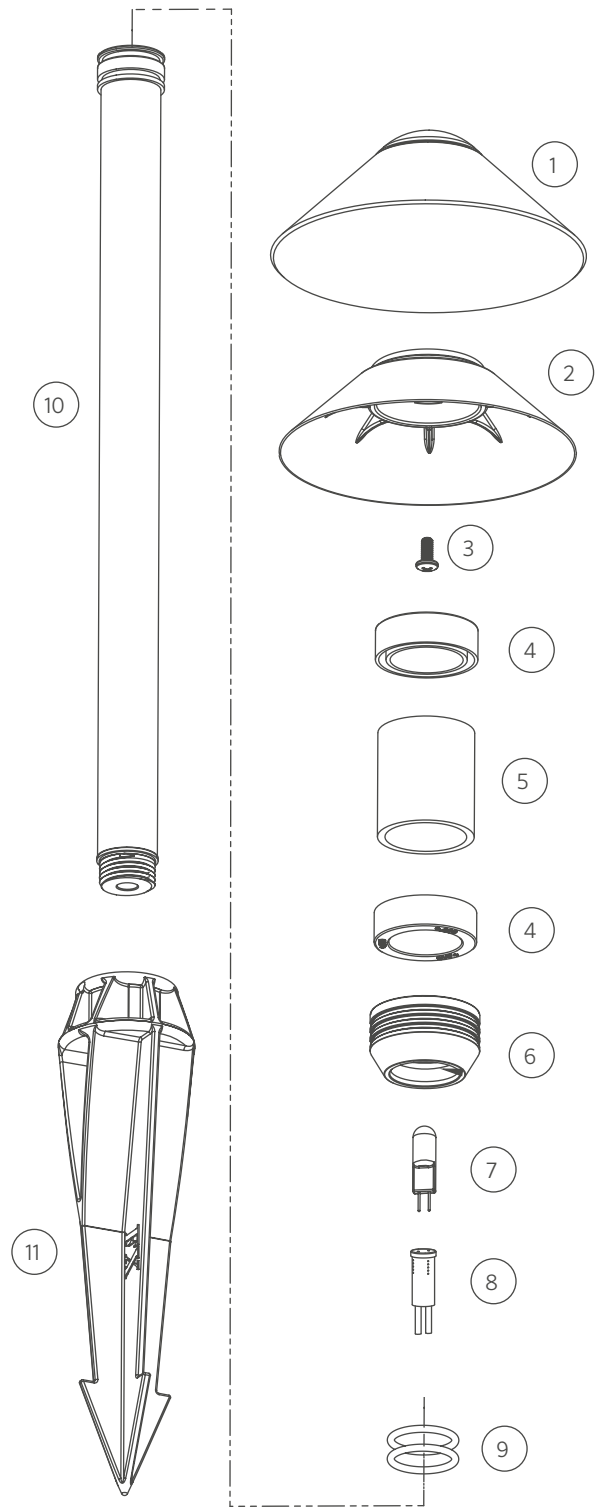
\*XX = Powder coat color code



SC

ITEM	DESCRIPTION	CATALOG #
1	Copper Top and Brass Cap	-
2	Reflector	250012180000
3	Screw, #8-32 x 3/8"	250011950000
4	Seal	250012140000
5	Lens	250012120000
6	Reducer	250012090000
7	Lamp	See Lamp Chart, p. 137-139
8	Socket, G4	754601
9	O-Ring	250010280004
10	Riser Subassembly	YYRA075XX*
11	Super Slot Spike	753900
1-6	Top Assembly	SCTAXX* <sup>§</sup>
2-6	Lens Assembly	BDEASCLA

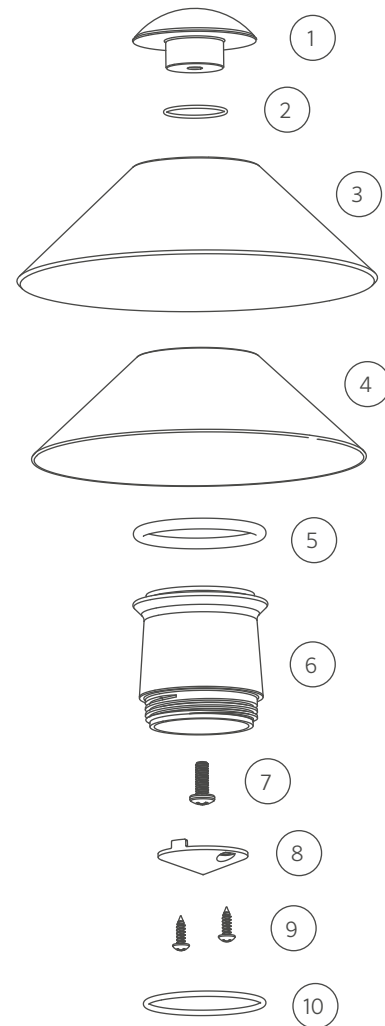
\* YY = Riser height in inches, XX = Powder coat color code  
<sup>§</sup> Not interchangeable with SC LED Top Assembly



**SC LED TOP ASSEMBLY**

ITEM	DESCRIPTION	CATALOG #
1	Cap, Brass	2500118400XX*
2	O-Ring	250010280001
3	Top, Copper	-
4	Reflector, White	250015830000
5	O-Ring	250010280010
6	Lens	753100
7	Screw, #8-32 x 7/16"	750103
8	Reflector, Chrome	-
9	Screw, #4 x 3/8"	-
10	O-Ring	250010280033
8-9	Petite Cone Kit	PCONEKIT

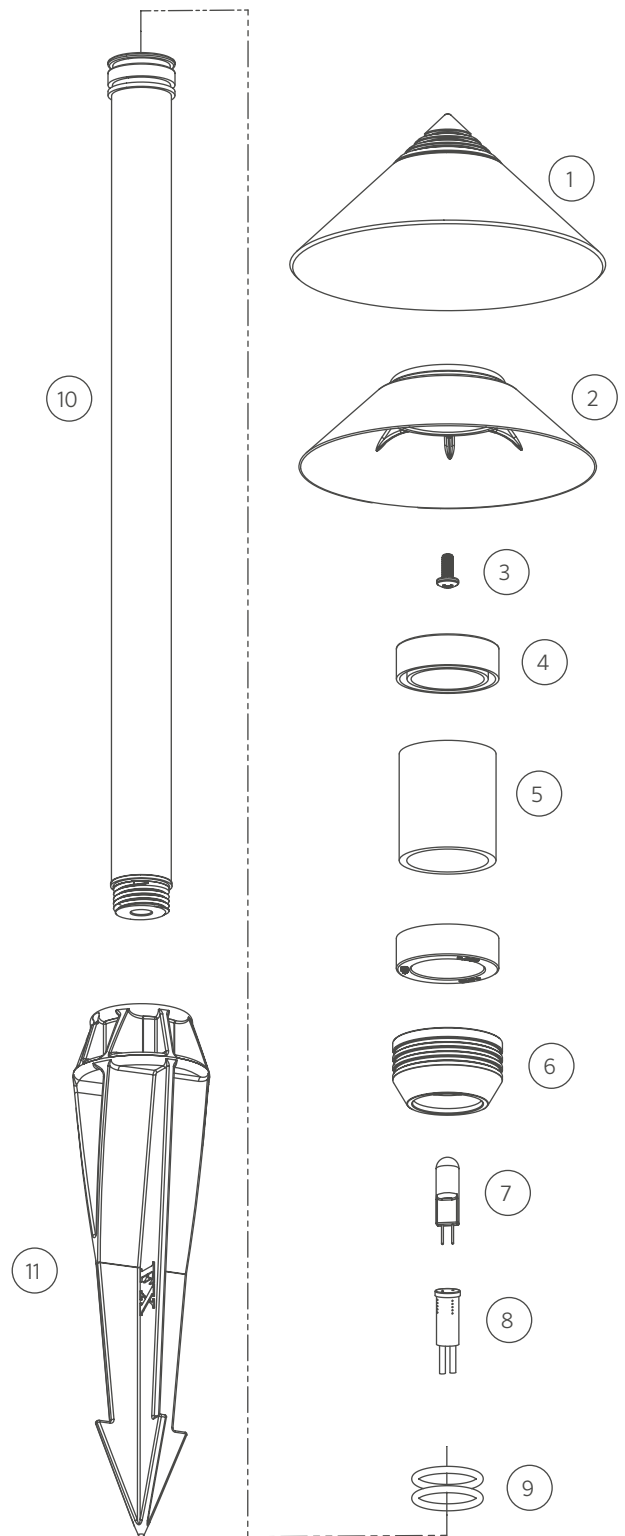
\*XX = Powder coat color code



**EA**

ITEM	DESCRIPTION	CATALOG #
1	Copper Top and Brass Cap	-
2	Reflector	250012180000
3	Screw, #8-32 x 3/8"	250011950000
4	Seal	250012140000
5	Lens	250012120000
6	Reducer	250012090000
7	Lamp	See Lamp Chart, p. 137-139
8	Socket, G4	754601
9	O-Ring	250010280004
10	Riser Subassembly	YYRA075XX*
11	Super Slot Spike	753900
1-6	Top Assembly	EATAXX* <sup>5</sup>
2-6	Lens Assembly	BDEASCLA

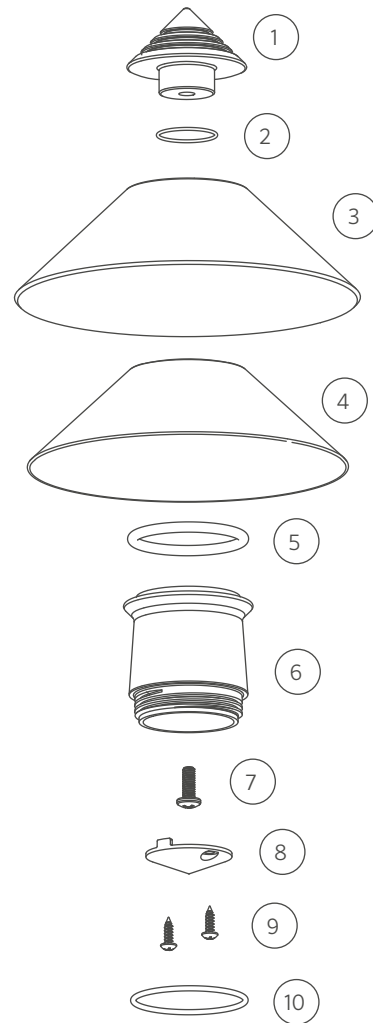
\* YY = Riser height in inches, XX = Finish code  
<sup>5</sup> Not interchangeable with EA LED Top Assembly



**EA LED TOP ASSEMBLY**

ITEM	DESCRIPTION	CATALOG #
1	Cap, Brass	2500122000XX*
2	O-Ring	250010280001
3	Top, Copper	-
4	Reflector, White	250015830000
5	O-Ring	250010280010
6	Lens	753100
7	Screw, #8-32 x 7/16"	750103
8	Reflector, Chrome	-
9	Screw, #4 x 3/8"	-
10	O-Ring	250010280033
8-9	Petite Cone Kit	PCONEKIT

\*\* XX = Finish code



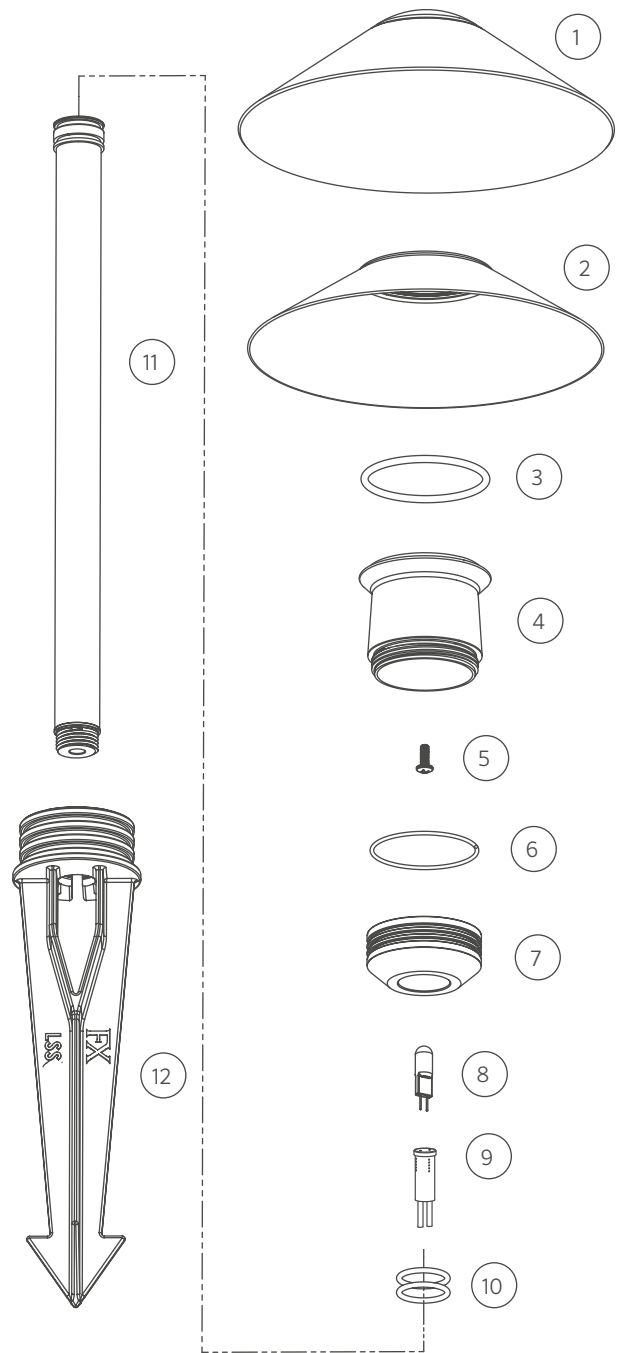


CA

ITEM	DESCRIPTION	CATALOG #
1	Copper Top and Brass Cap	-
2	Reflector, White	755100
3	O-Ring	250010280012
4	Lens	753401
5	Screw, #8-32 x 7/16"	750103
6	O-Ring	250010280009
7	Reducer	250013300000
8	Lamp, G4 Bi-Pin	See Lamp Chart, p. 137-139
9	Socket, G4	754601
10	O-Ring	250010280004
11	Riser Subassembly	YYRA075XX*
12	Long Slot Spike (LSS)	250015840000
1-7	Top Assembly	CATAXX* <sup>§</sup>
2-7	Lens Assembly	CACBCVQFLA

\* YY = Riser height in inches, XX = Powder coat color code

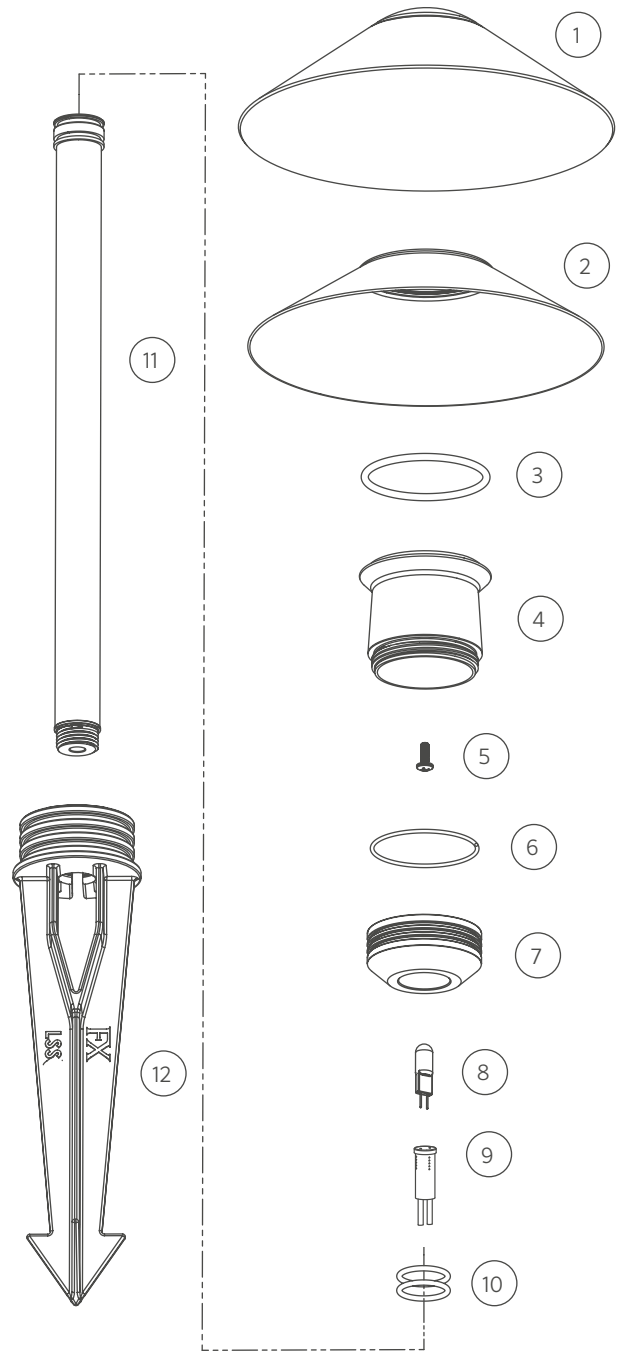
<sup>§</sup> Not interchangeable with CA LED Top Assembly



CA-A

ITEM	DESCRIPTION	CATALOG #
1	Top and Cap	-
2	Reflector, White	755100
3	O-Ring	250010280012
4	Lens	753401
5	Screw, #8-32 x 7/16"	750103
6	O-Ring	250010280009
7	Reducer	2500273900XX
8	Lamp, G4 Bi-Pin	See Lamp Chart, p. 137-139
9	Socket, G4	754601
10	O-Ring	250010280004
11	Riser Subassembly	YYRSPXX*
12	Long Slot Spike (LSS)	250015840000
1-7	Top Assembly	CAATAXX* <sup>§</sup>
2-7	Lens Assembly	CACBCVQFLA

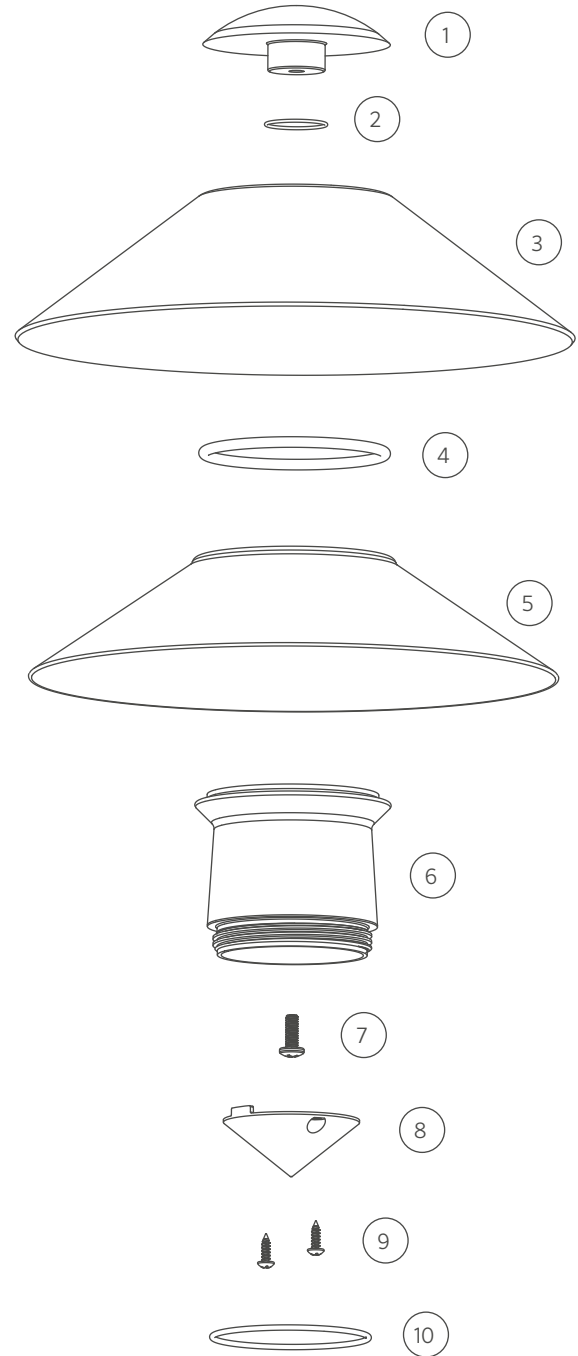
\* YY = Riser height in inches, XX = Finish code  
<sup>§</sup> Not interchangeable with CA LED Top Assembly



CA LED TOP ASSEMBLY

ITEM	DESCRIPTION	CATALOG #
1	Top, Copper	2500125500XX*
2	O-Ring	250010280001
3	Cap, Brass	-
4	O-Ring	250010280012
5	Reflector, White	755100
6	Lens	753400
7	Screw, #8-32 x 7/16"	750103
8	Reflector, Chrome	-
9	Screw, #4 x 3/8"	-
10	O-Ring	250010280032
8-9	Grande Cone Kit	GCONEKIT

\* XX = Finish code

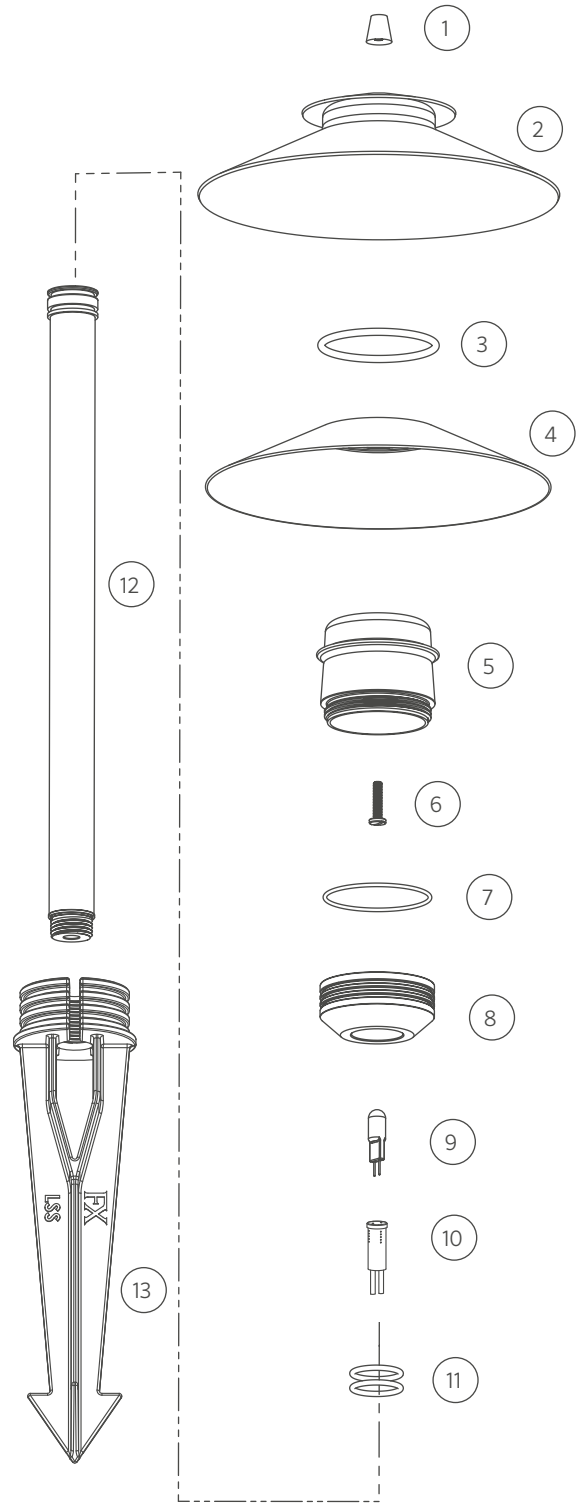


**DM**

ITEM	DESCRIPTION	CATALOG #
1	Cap Nut, Brass	2500123000XX*
2	Copper Top and Copper Shade	-
3	O-Ring	250010280011
4	Reflector	754900
5	Lens	753501
6	Screw, #8-32 x 3/4"	250012320000
7	O-Ring	250010280009
8	Reducer	250013300000
9	12V Lamp	See Lamp Chart, p. 137-139
10	Socket, G4	754601
11	O-Ring	250010280004
12	Riser Assembly	YYRA075XX*
13	Long Slot Spike (LSS)	250015840000
2-9	Top Assembly	DMTAXX* <sup>5</sup>
4-9	Lens Assembly	DMLA

\* YY = Riser height in inches, XX = Powder coat color code

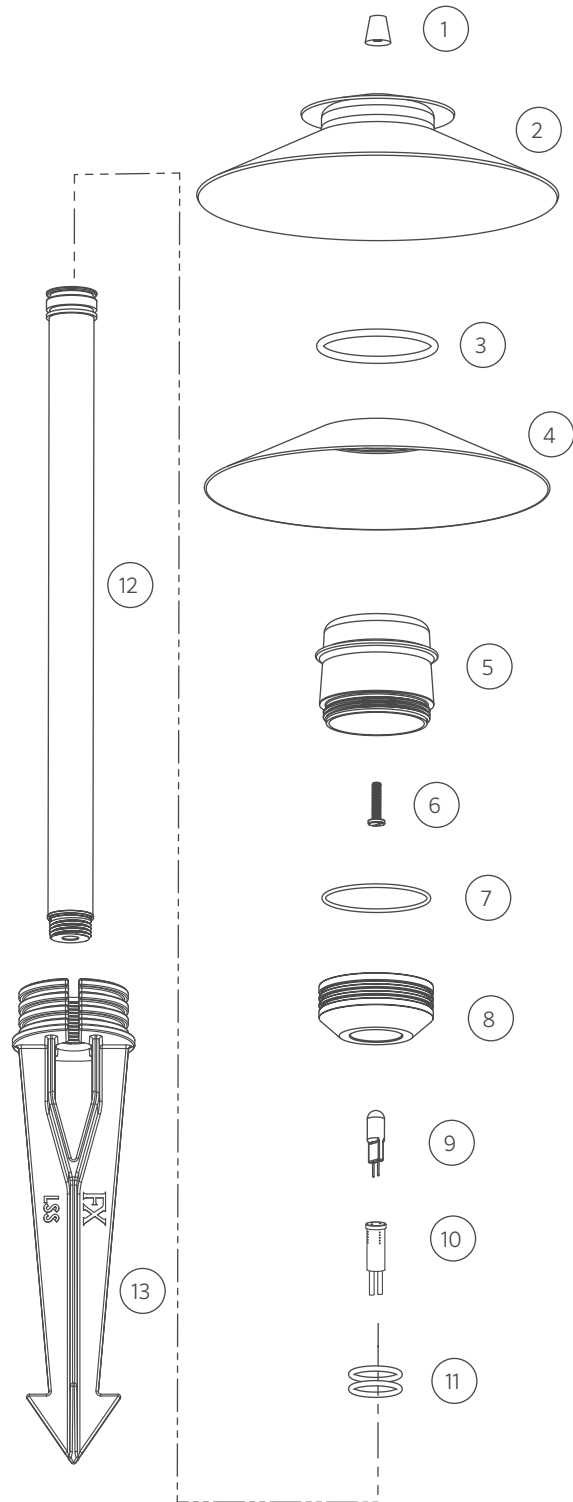
<sup>5</sup> Not interchangeable with DM LED Top Assembly



**DM-A**

ITEM	DESCRIPTION	CATALOG #
1	Cap Nut	-
2	Top and Shade	-
3	O-Ring	250010280011
4	Reflector	754900
5	Lens	753501
6	Screw, #8-32 x 3/4"	250012320000
7	O-Ring	250010280009
8	Reducer	2500273900XX*
9	12V Lamp	See Lamp Chart, p. 137-139
10	Socket, G4	754601
11	O-Ring	250010280004
12	Riser Assembly	YYRSPXX*
13	Long Slot Spike (LSS)	250015840000
2-8	Top Assembly	DMATAXX* <sup>§</sup>
3-8	Lens Assembly	DMLA

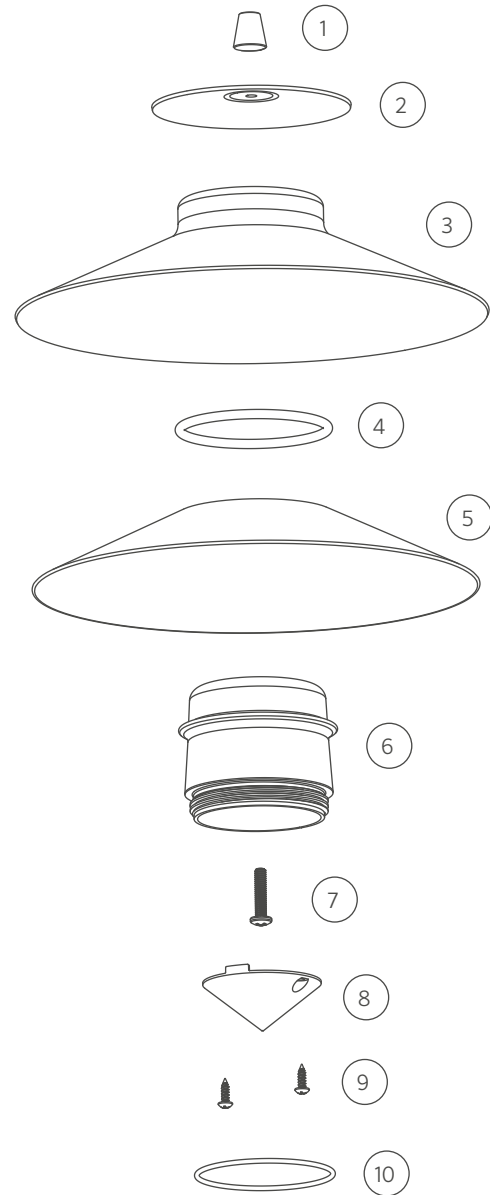
\* YY = Riser height in inches, XX = Finish code  
<sup>§</sup> Not interchangeable with CA LED Top Assembly



**DM LED TOP ASSEMBLY**

ITEM	DESCRIPTION	CATALOG #
1	Cap Nut, Brass	2500123000XX*
2	Shade, Copper	2500124500XX*
3	Top, Copper	-
4	O-Ring	250010280011
5	Reflector, White	754900
6	Lens	753500
7	Screw, #8-32 x 3/4"	250018780000
8	Reflector, Chrome	-
9	Screw, #4 x 3/8"	250019230000
10	O-Ring	250010280032
8-9	Grande Cone Kit	GCONEKIT

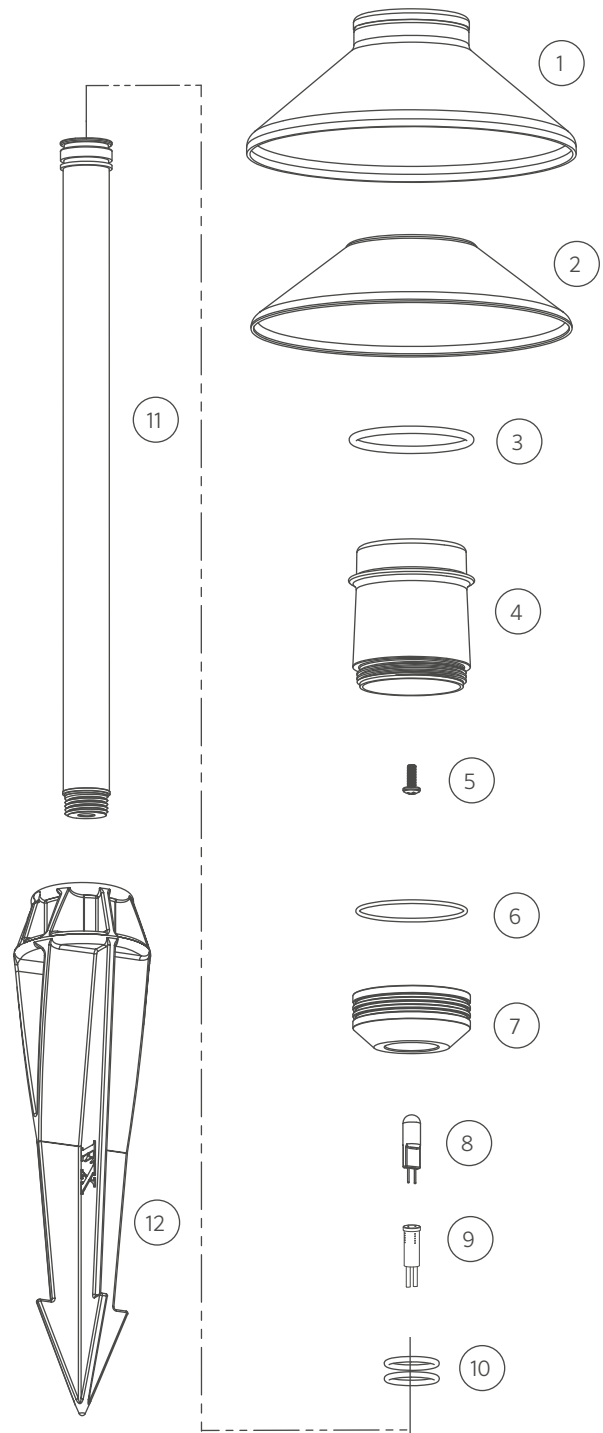
\* XX = Powder coat color code



**DL**

ITEM	DESCRIPTION	CATALOG #
1	Copper Top and Brass Cap	-
2	Reflector	755000
3	O-Ring	250010280012
4	Lens	753301
5	Screw, #8-32 x 7/16"	750103
6	O-Ring	250010280009
7	Reducer	250013300000
8	Lamp, G4 Bi-Pin	See Lamp Chart, p. 137-139
9	Socket, G4	754601
10	O-Ring	250010280004
11	Riser Assembly	YYRA075XX*
12	Super Slot Spike (SSS)	753900
1-7	Top Assembly	DLTAXX* <sup>§</sup>
2-7	Lens Assembly	DLLA

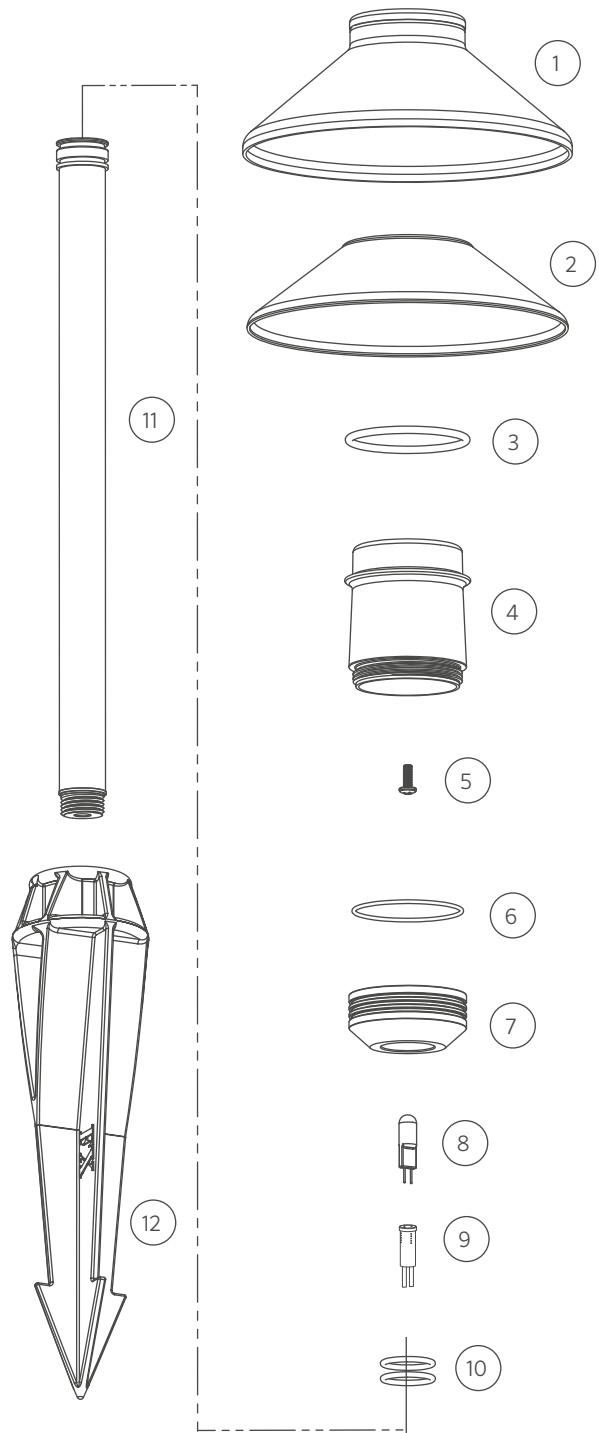
\* YY = Riser height in inches, XX = Powder coat color code  
 § Not interchangeable with DM LED Top Assembly



**DL-A**

ITEM	DESCRIPTION	CATALOG #
1	Top and Cap	-
2	Reflector	755000
3	O-Ring	250010280012
4	Lens	753301
5	Screw, #8-32 x 7/16"	750103
6	O-Ring	250010280009
7	Reducer	2500273900
8	Lamp, G4 Bi-Pin	See Lamp Chart, p. 137-139
9	Socket, G4	754601
10	O-Ring	250010280004
11	Riser Assembly	YYRSPXX*
12	Super Slot Spike (SSS)	753900
1-7	Top Assembly	DLATAXX* <sup>§</sup>
2-7	Lens Assembly	DLLA

\* YY = Riser height in inches, XX = Finish code  
<sup>§</sup> Not interchangeable with CA LED Top Assembly

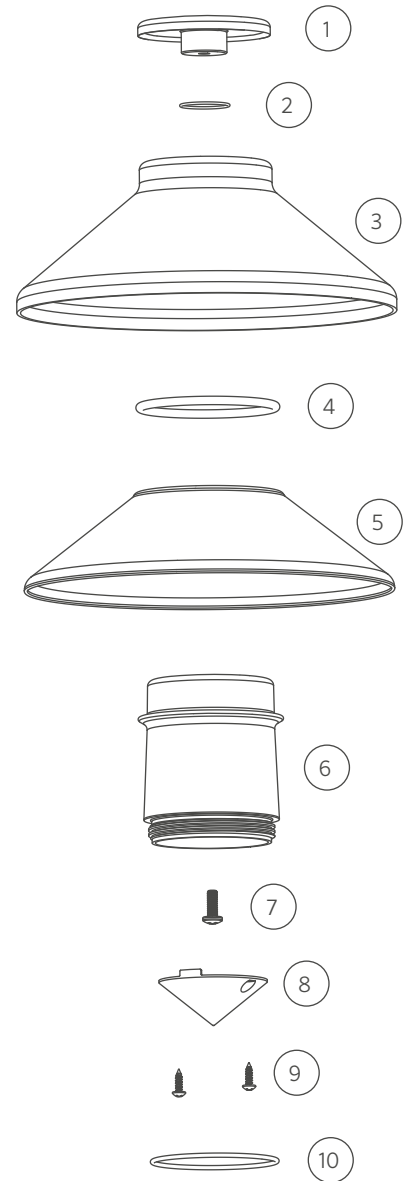




**JS LED TOP ASSEMBLY**

ITEM	DESCRIPTION	CATALOG #
1	Cap, Brass	2500133300XX*
2	O-Ring	250010280001
3	Top, Copper	-
4	O-Ring	250010280011
5	Reflector, White	755000
6	Lens	753300
7	Screw, #8-32 x 7/16"	750103
8	Reflector, Chrome	-
9	Screw, #4 x 3/8"	-
10	O-Ring	250010280032
8-9	Grande Cone Kit	GCONEKIT

\*XX = Powder coat color code

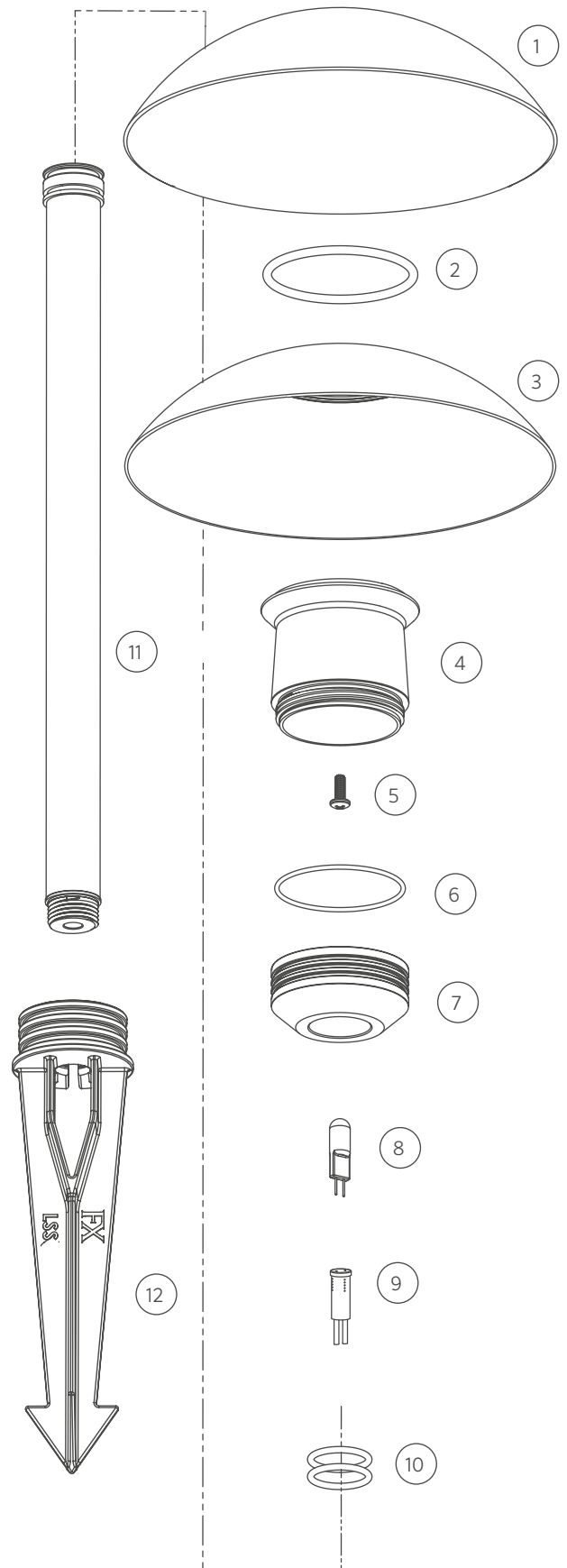


CV

ITEM	DESCRIPTION	CATALOG #
1	Cap	-
2	O-Ring	250010280012
3	Reflector	756300
4	Lens	753401
5	Screw, #8-32 x 7/16"	750103
6	O-Ring	250010280009
7	Reducer	250013300000
8	Lamp, G4 Bi-Pin	See Lamp Chart, p. 137-139
9	Socket, G4	754601
10	O-Ring	250010280004
11	Riser Assembly	YYRA075XX*
12	Long Slot Spike (LSS)	250015840000
1-7	Top Assembly	CVTAXX <sup>§</sup>
2-7	Lens Assembly	CACBCVQFLA

\* YY = Riser height in inches, XX = Powder coat color code

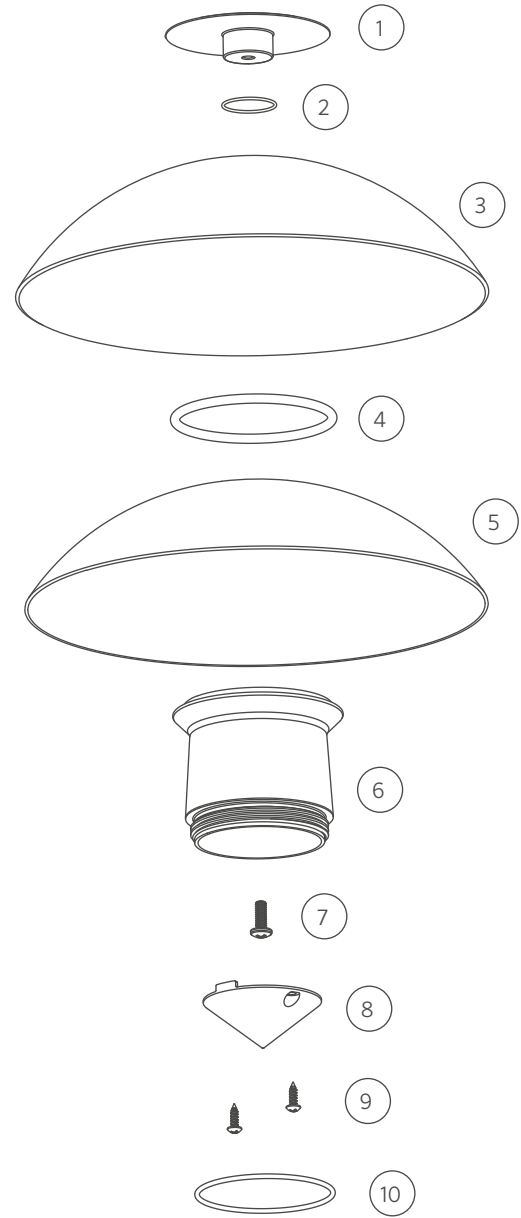
§ Not interchangeable with CV LED Top Assembly



CV LED TOP ASSEMBLY

ITEM	DESCRIPTION	CATALOG #
1	Cap, Brass	2500125100XX*
2	O-Ring	250010280001
3	Top, Copper	-
4	O-Ring	250010280012
5	Reflector, White	756300
6	Lens	753400
7	Screw, #8-32 x 7/16"	750103
8	Reflector, Chrome	-
9	Screw, #4 x 3/8"	-
10	O-Ring	250010280032
8-9	Grande Cone Kit	GCONEKIT

\* XX = Powder coat color code

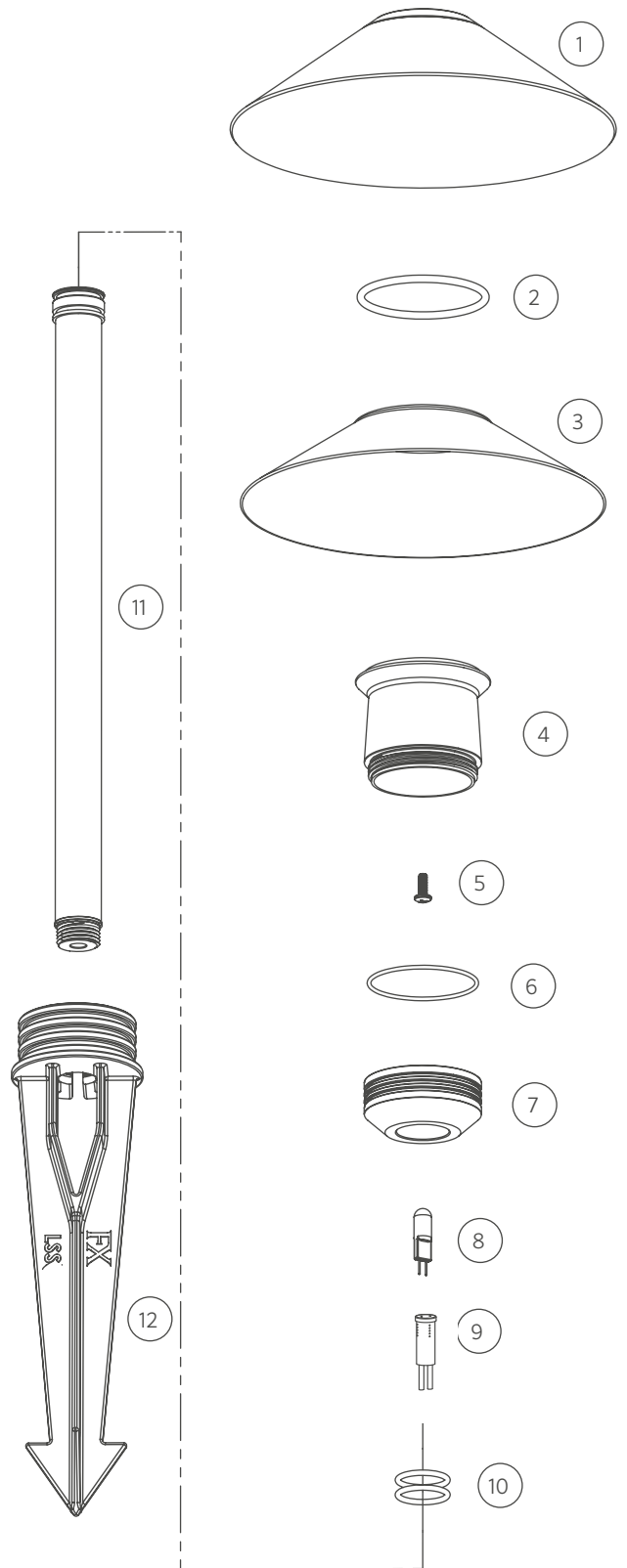


**CB**

ITEM	DESCRIPTION	CATALOG #
1	Copper Top and Brass Cap	-
2	O-Ring	250010280012
3	Reflector	755100
4	Lens	753401
5	Screw, #8-32 x 7/16"	750103
6	O-Ring	250010280009
7	Reducer, Brass	250013300000
8	Lamp, G4 Bi-Pin	See Lamp Chart, p. 137-139
9	Socket, G4	754601
10	O-Ring	250010280004
11	Riser Assembly	YYRA075XX*
12	Long Slot Spike (LSS)	250015840000
1-7	Top Assembly	CBTAXX* <sup>§</sup>
2-7	Lens Assembly	CACBCVQFLA

\* YY = Riser height in inches, XX = Powder coat color code

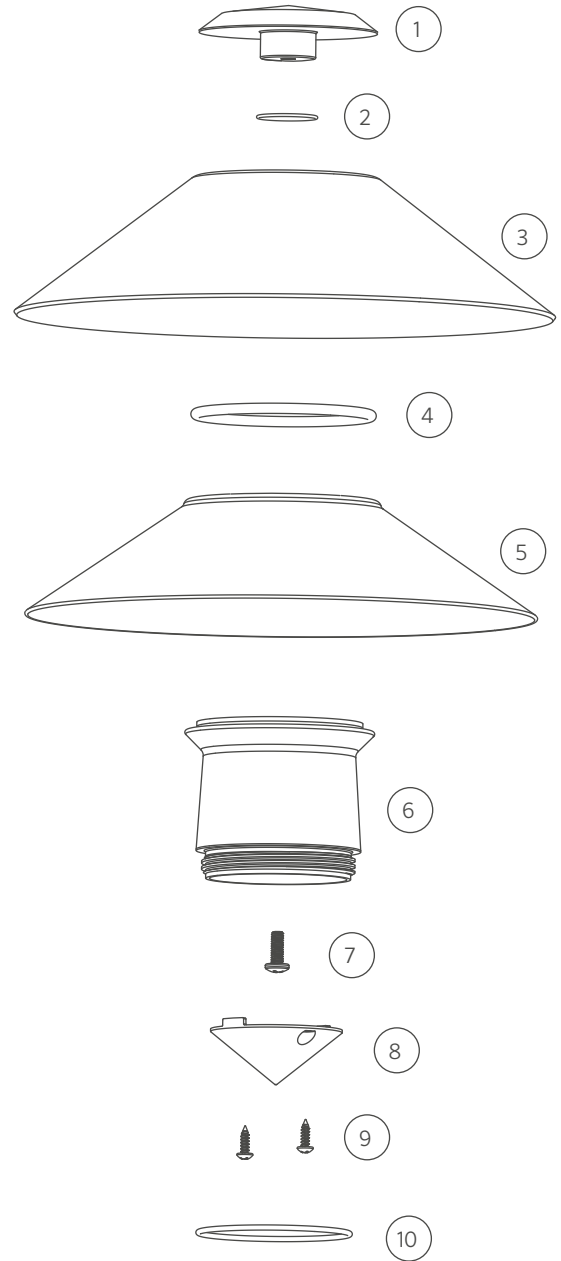
<sup>§</sup> Not interchangeable with CB LED Top Assembly



**CB LED TOP ASSEMBLY**

ITEM	DESCRIPTION	CATALOG #
1	Cap, Brass	2500125300XX*
2	O-Ring	250010280001
3	Top, Copper	-
4	O-Ring	250010280012
5	Reflector, White	755100
6	Lens	753400
7	Screw, #8-32 x 7/16"	750103
8	Reflector, Chrome	-
9	Screw, #4 x 3/8"	-
10	O-Ring	250010280032
8-9	Grande Cone Kit	GCONEKIT

\*XX = Powder coat color code

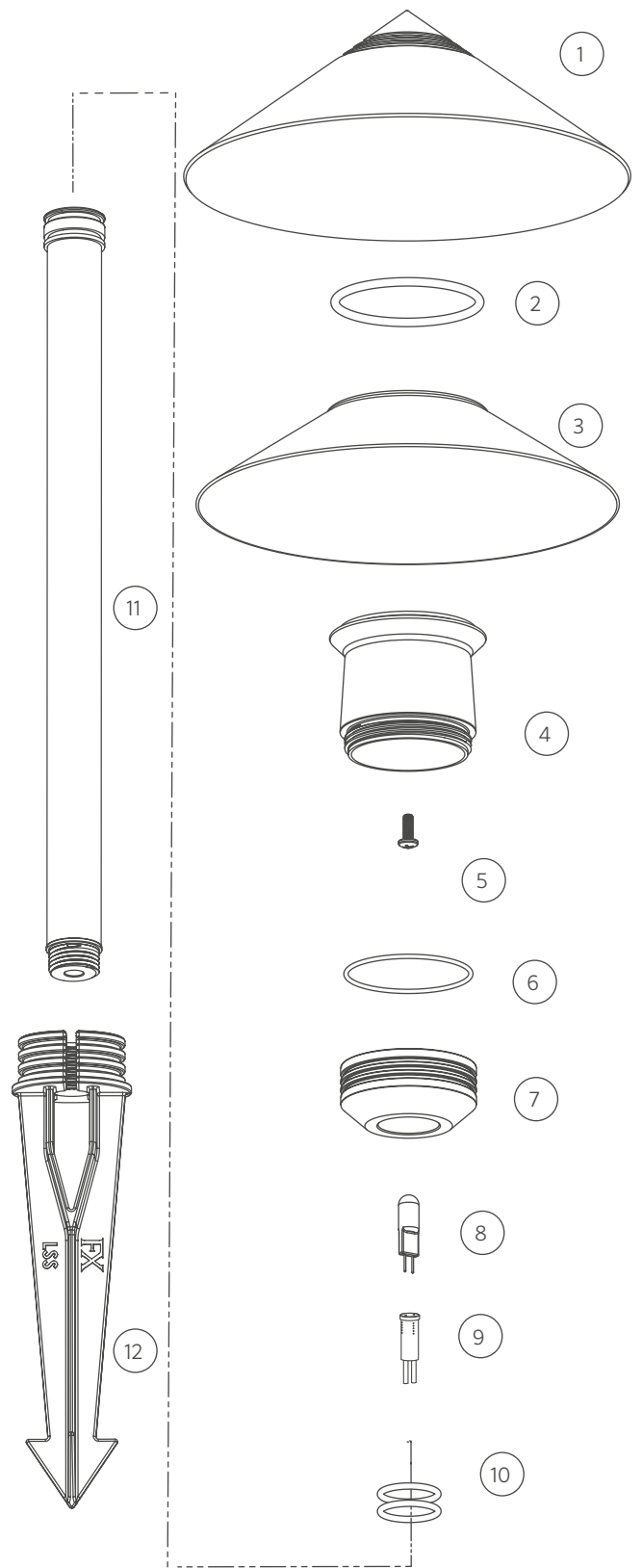


**QF**

ITEM	DESCRIPTION	CATALOG #
1	Copper Shade and Brass Top	-
2	O-Ring	250010280012
3	Reflector	755100
4	Lens	753401
5	Reducer	250013300000
6	O-Ring	250010280009
7	Reducer	250013300000
8	Lamp, G4 Bi-Pin	See Lamp Chart, p. 137-139
9	Socket, G4	754601
10	O-Ring	250010280004
11	Riser Assembly	YYRA075XX*
12	Super Slot Spike	753900
1-7	Top Assembly	QFTAXX* <sup>§</sup>
2-7	Lens Assembly	CACBCVQFLA

\* YY = Riser height in inches, XX = Powder coat color code

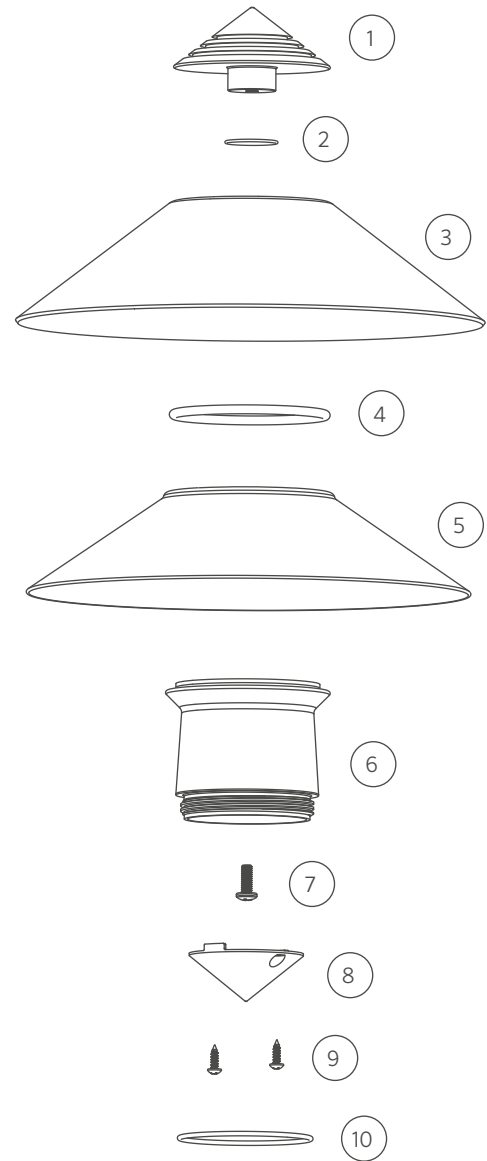
<sup>§</sup> Not interchangeable with QF LED Top Assembly



**QF LED TOP ASSEMBLY**

ITEM	DESCRIPTION	CATALOG #
1	Cap, Brass	2500118600XX*
2	O-Ring	250010280001
3	Top, Copper	-
4	O-Ring	250010280012
5	Reflector, White	755100
6	Lens	753400
7	Screw, #8-32 x 7/16"	750103
8	Reflector, Chrome	-
9	Screw, #4 x 3/8"	-
10	O-Ring	250010280032
8-9	Grande Cone Kit	GCONEKIT

\* XX = Powder coat color code

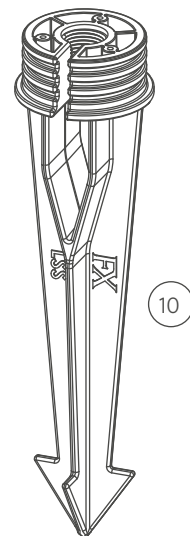
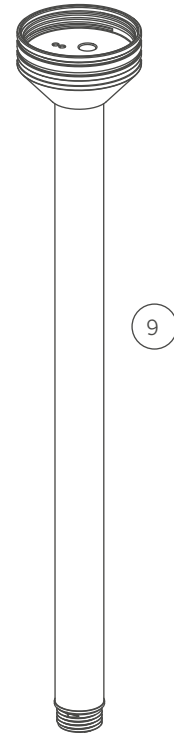


**G-RISER**

ITEM	DESCRIPTION	CATALOG #
1-2	Color Filter	See LED Chart
3	Screw	See LED Chart
4-5	Reflector	See LED Chart
6-7	LED Board	See LED Chart
8	Socket, 3-meter	752601
9	Riser Assembly	-
10	Long Slot Spike (LSS)	250015840000

\* XX = Powder coat color code

OBSOLETE PARTS



**G-RA LED COMPONENTS**

ITEM	DESCRIPTION	CATALOG #
1	1LED Color Filter, Amber	770100
1	1LED Color Filter, Blue	770101
1	1LED Color Filter, Green	770102
2	3LED Color Filter, Amber	770800
2	3LED Color Filter, Blue	770801
2	3LED Color Filter, Green	770802
3	Screw, #4-40 x 3/8" (Qty Req: 2)	762400
4	1LED Board	1LEDULKIT <sup>‡</sup>
5	3LED Board	3LEDULKIT <sup>‡</sup>
5	ZD 3LEDT Amber LED Board	ZD3LEDTKIT
5	ZDC LED Board	ZDCKITM**
6	1LED Reflector	770000
7	3LED Reflector	770700
7	ZDC LED Reflector	250022050000
11	Upper Reflector 1LED	770300
12	Reflector Support 1LED	770200
13	Upper Reflector 3LED	771000
14	Reflector Support 3LED	770900

<sup>‡</sup> ZD = Zoneable and dimmable (add ZD to front of part number)

\*\* ZDC kit includes LED board, ZDC reflector, screws, and flood lens diffuser (3LEDFLLENS)



**P-RISER**

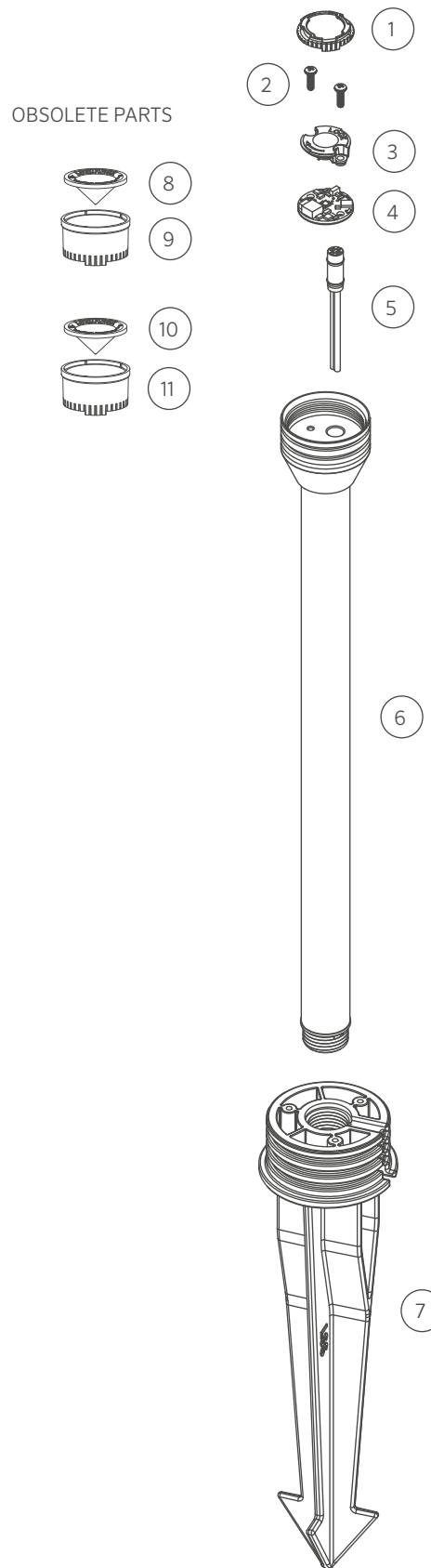
ITEM	DESCRIPTION	CATALOG #
1	Color Filter	See LED Chart
2	Screw	See LED Chart
3	Reflector	See LED Chart
4	LED Board	See LED Chart
5	Socket, 3-meter	752601
6	Riser Assembly	-
7	Super Slot Spike (SSS)	753900

\* XX = Powder coat color code

**P-RA LED COMPONENTS**

ITEM	DESCRIPTION	CATALOG #
1	1LED Color Filter, Amber	770100
1	1LED Color Filter, Blue	770101
1	1LED Color Filter, Green	770102
2	Screw, #4-40 x 3/8" (Qty Req: 2)	762400
3	1LED Reflector	770000
4	1LED Board	1LEDULKIT <sup>‡</sup>
8	Upper Reflector 1LED	770300
9	Reflector Support 1LED	770200
10	Upper Reflector 3LED	771000
11	Reflector Support 3LED	770900

<sup>‡</sup> ZD = Zoneable and dimmable (add ZD to front of part number)



**A-RISER**

ITEM	DESCRIPTION	CATALOG #
1-2	Color Filter	See LED Chart
3	Screw	See LED Chart
4-5	Reflector	See LED Chart
6-7	LED Board	See LED Chart
8	Socket, 3-meter	752601
9	Reducer	-
10	Riser, Aluminum	YYRXX*
11	Long Slot Spike (LSS)	250015840000

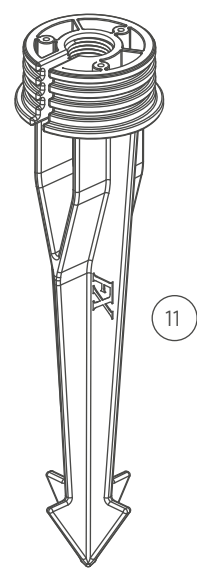
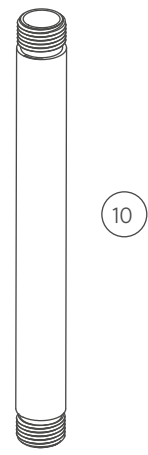
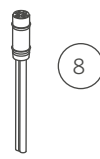
\* YY = Riser height in inches, XX = Powder coat color code

**A-RA LED COMPONENTS**

ITEM	DESCRIPTION	CATALOG #
1	1LED Color Filter, Amber	770100
1	1LED Color Filter, Blue	770101
1	1LED Color Filter, Green	770102
2	3LED Color Filter, Amber	770800
2	3LED Color Filter, Blue	770801
2	3LED Color Filter, Green	770802
3	Screw, #4-40 x 3/8" (Qty Req: 2)	762400
4	1LED Reflector	770000
5	3LED Reflector	770700
5	ZDC LED Reflector	250022050000
6	1LED Board	1LEDULKIT <sup>‡</sup>
7	3LED Board	3LEDULKIT <sup>‡</sup>
7	ZDC LED Board	ZDCKITM <sup>**</sup>

<sup>‡</sup> ZD = Zoneable and dimmable (add ZD to front of part number)

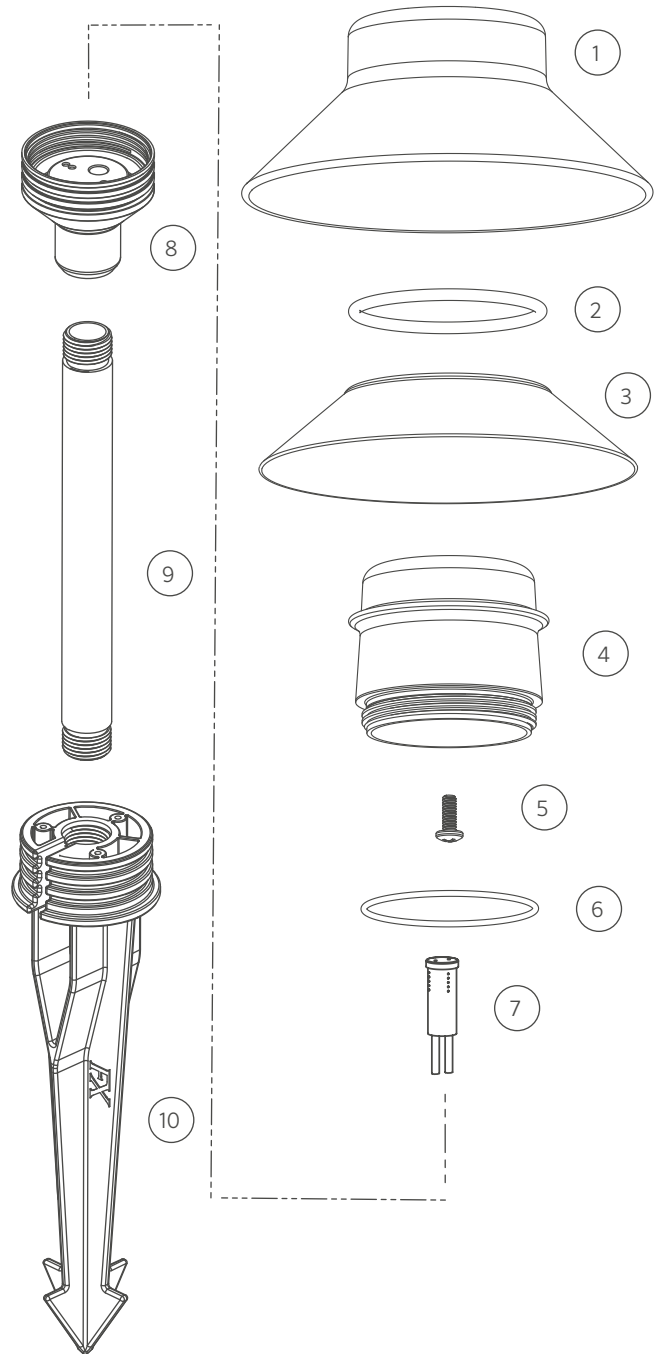
<sup>\*\*</sup> ZDC kit includes LED board, ZDC reflector, screws, and flood lens diffuser (3LEDFLENS)



**TM**

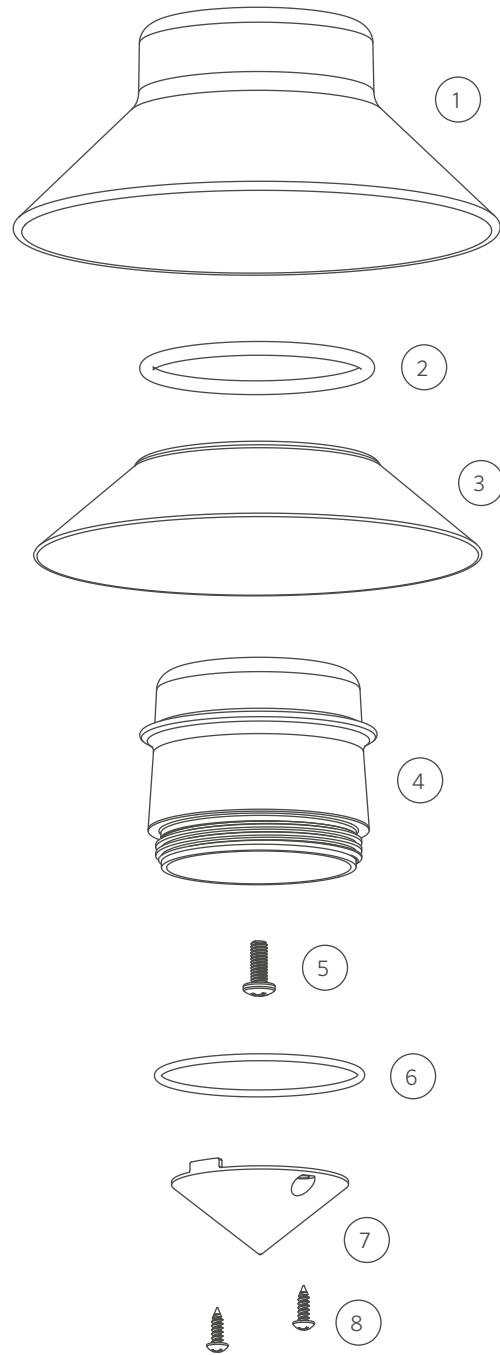
ITEM	DESCRIPTION	CATALOG #
1	Top	-
2	O-Ring	250010280011
3	Reflector, White	250018870000
4	Lens	753501
5	Screw, #8-32 x 7/16"	750103
6	O-Ring	250010280032
7	Socket, G4	754601
8	Reducer	-
9	Riser, Aluminum	YYRXX*
10	Long Slot Spike (LSS)	250015840000
1-7	TM Top Assembly, G4	TMTAXX

\* YY = Riser height in inches, XX = Powder coat color code



TM LED

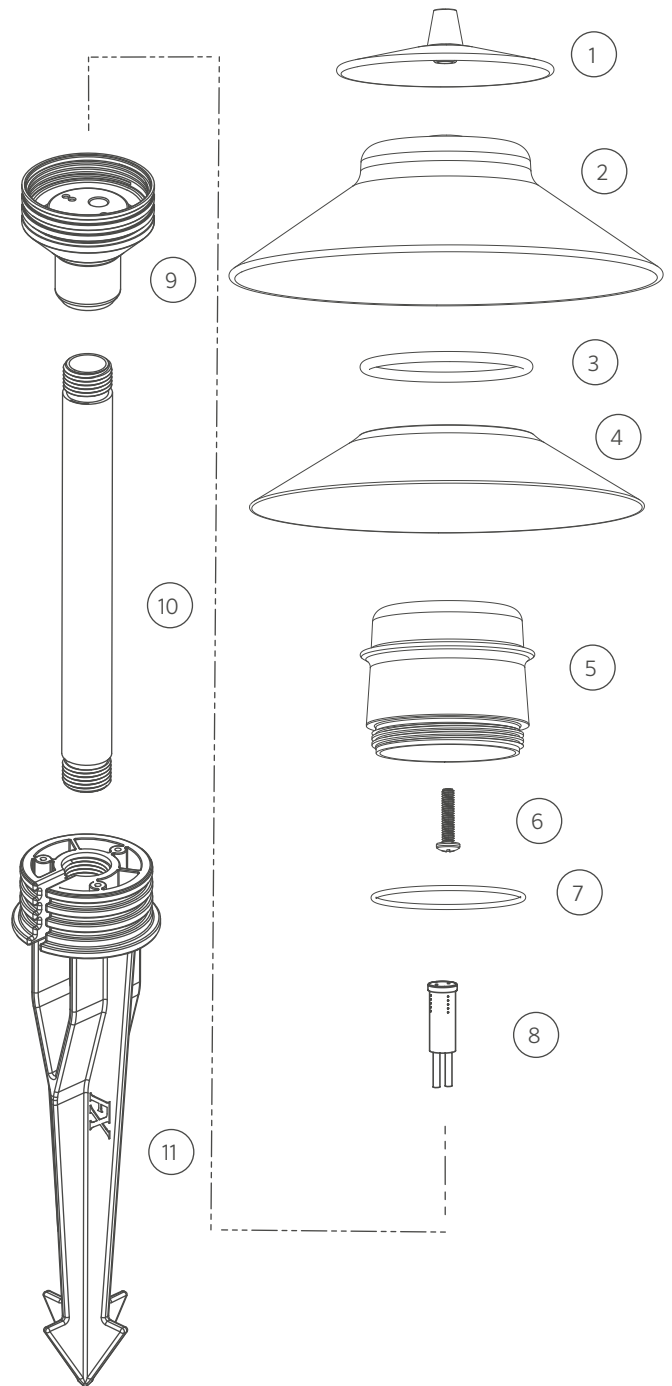
ITEM	DESCRIPTION	CATALOG #
1	Top	-
2	O-Ring	250010280011
3	Reflector, White	250018870000
4	Lens	753500
5	Screw, #8-32 x 7/16"	750103
6	O-Ring	250010280032
7	Reflector, Chrome	-
8	Screw, #4 x 3/8"	-
7-8	Grande Cone Kit	GCONEKIT



**PL**

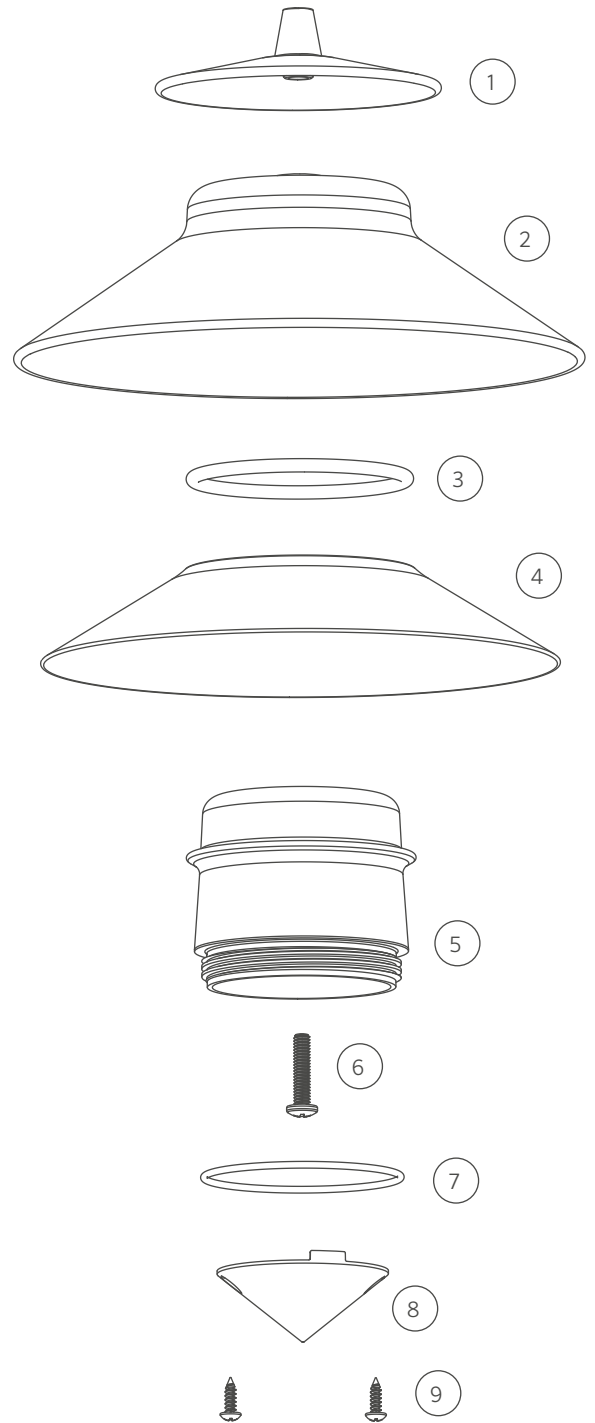
ITEM	DESCRIPTION	CATALOG #
1	Shade	-
2	Top	-
3	O-Ring	250010280011
4	Reflector, White	250018830000
5	Lens	753501
6	Screw, #8-32 x 3/4"	250018780000
7	O-Ring	250010280032
8	Socket, G4	754601
9	Reducer	-
10	Riser, Aluminum	YYRXX*
11	Long Slot Spike (LSS)	250015840000
1-7	PL Top Assembly, G4	PLTAXX

\* YY = Riser height in inches, XX = Powder coat color code



**PL LED**

ITEM	DESCRIPTION	CATALOG #
1	Shade	-
2	Top	-
3	O-Ring	250010280011
4	Reflector, White	250018830000
5	Lens	753500
6	Screw, #8-32 x 3/4"	250018780000
7	O-Ring	250010280032
8	Reflector, Chrome	-
9	Screw, #4 x 3/8"	-
8-9	Grande Cone Kit	GCONEKIT

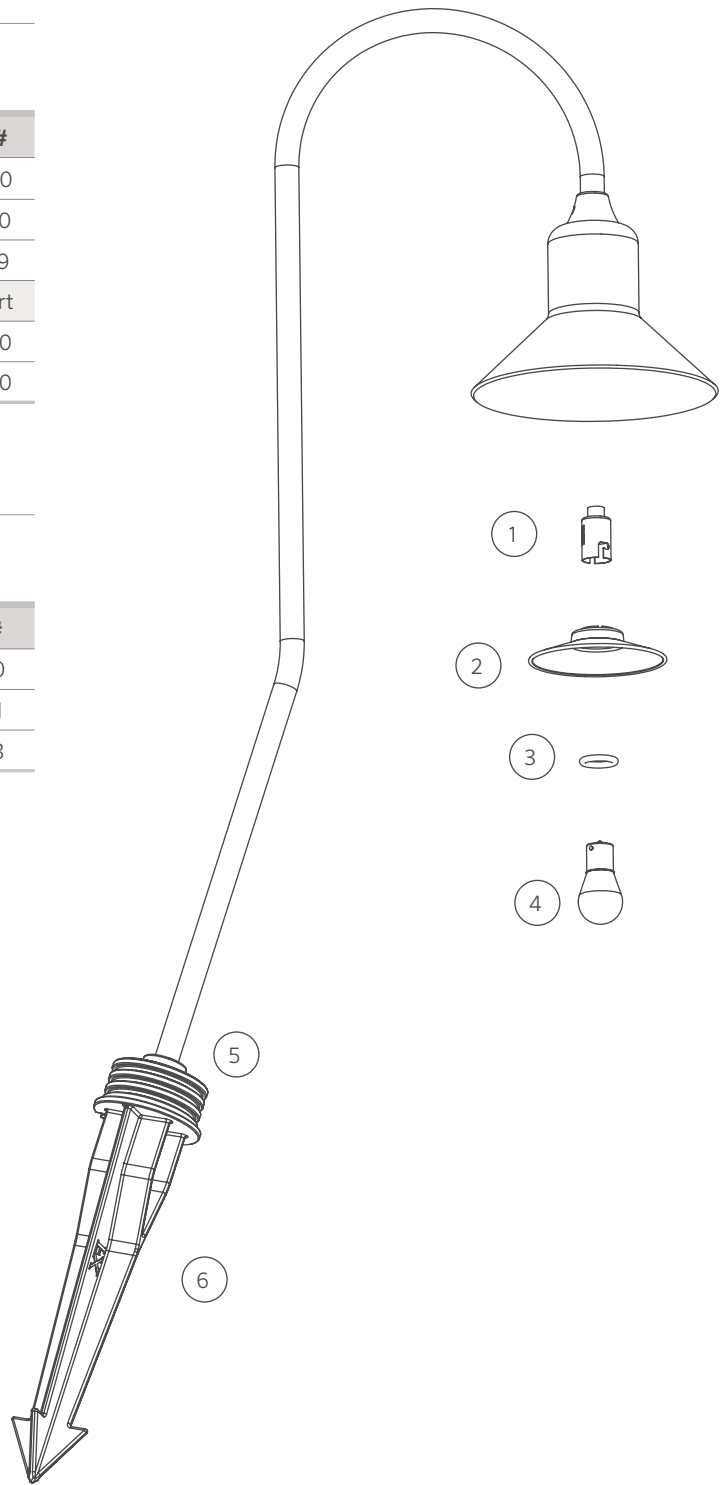


**AL**

ITEM	DESCRIPTION	CATALOG #
1	Socket, Bayonet, Single Contact	250012800000
2	Reflector	250012740000
3	O-Ring	250010280019
4	Lamp	See Lamp Chart
5	Bottom Insert	250012830000
6	Long Slot Spike (LSS)	250015840000

**LAMP Chart**

DESCRIPTION	CATALOG #
Lamp, Miniature 12V	250010510000
Lamp, Miniature 18V	250010510001
Lamp, Miniature 25V	250010510003

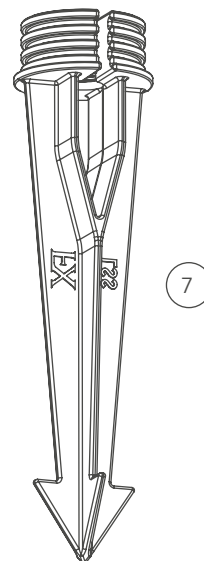
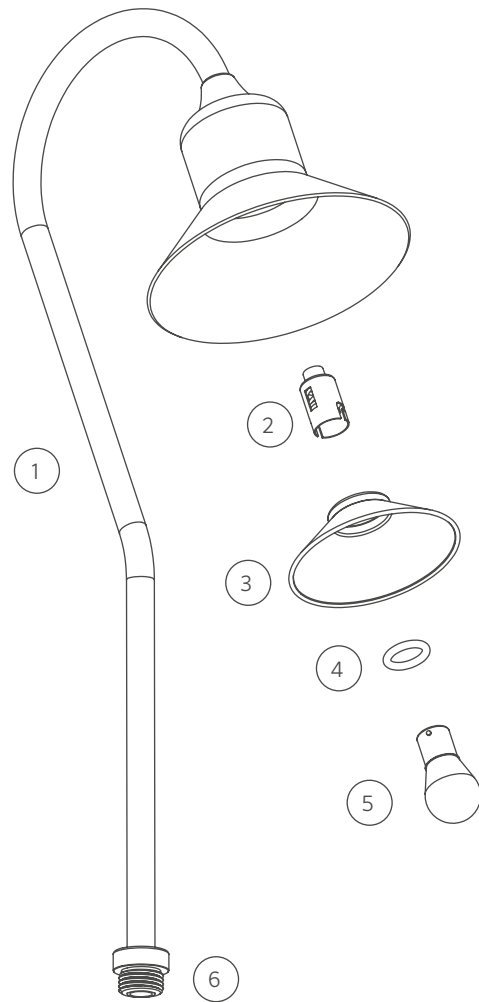


**TD**

ITEM	DESCRIPTION	CATALOG #
1	Riser Assembly	-
2	Socket, Bayonet, Single Contact	250012800000
3	Reflector	250013270000
4	O-Ring	250010280019
5	Lamp	See Lamp Chart
6	Bottom Insert	250011990000
7	Long Slot Spike (LSS)	250015840000

**LAMP Chart**

DESCRIPTION	CATALOG #
Lamp, Miniature 12V	250010510000
Lamp, Miniature 18V	250010510001
Lamp, Miniature 25V	250010510003





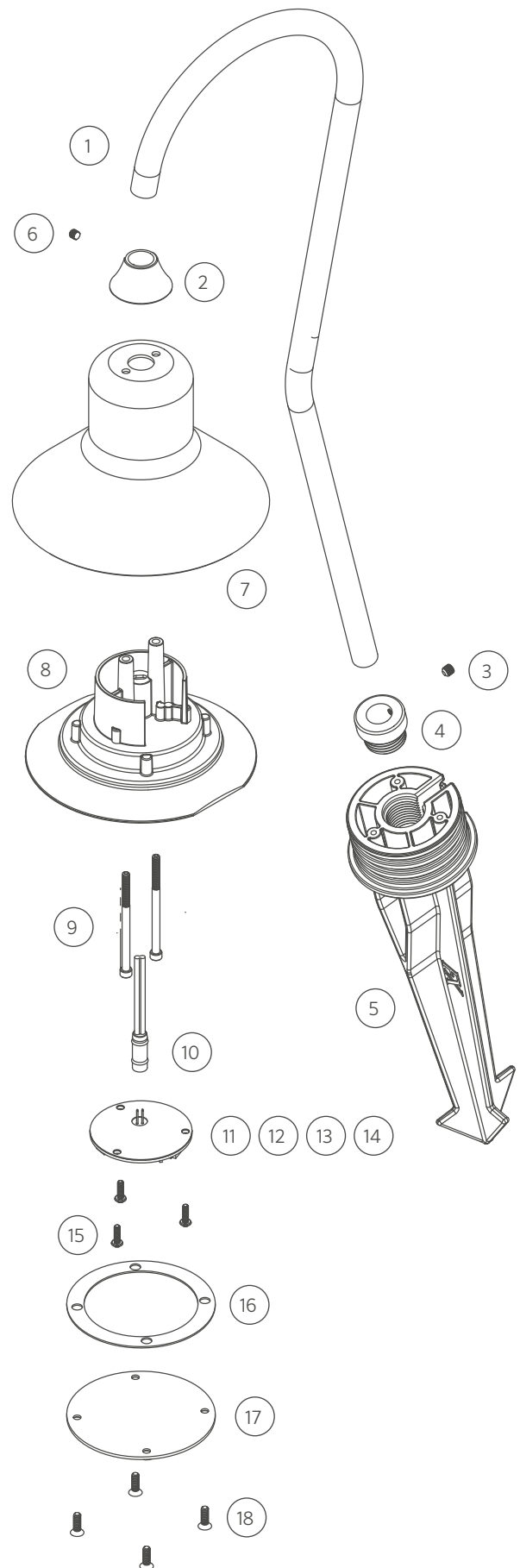
**TD LED**

ITEM	DESCRIPTION	CATALOG #
1	Riser, Copper	-
2	Coupling	-
3	Screw, #10-32 x 3/16"	250012050000
4	Bottom Insert	250011990000
5	Long Slot Spike (LSS)	250015840000
6	Screw, #8-32 x 3/16"	250012760000
7	Top	-
8	LED Insert	-
9	Screw, #6-32 x 2 1/4"	250019170000
10	Socket, 3-meter	752601
11-14	LED Board	See LED Chart
15	Screw, #4-40 x 3/8"	762400
16	Gasket	250019130000
17	Lens	See LED Chart
18	Screw, #6-32 x 3/8"	250014810000

**TD LED COMPONENTS**

ITEM	DESCRIPTION	CATALOG #
11	1LED Board	1LEDULKIT <sup>††</sup>
12	3LED Board	3LEDULKIT <sup>††</sup>
13	6LED Board	6LEDULKIT <sup>††</sup>
14	9LED Board	9LEDULKIT <sup>††</sup>
14	ZDC LED Board	ZDCKITL <sup>**</sup>
17	Lens, Clear	250019150000
17	Lens, Amber	250019150001

<sup>‡</sup> ZD = Zoneable and dimmable (add ZD to front of part number)  
<sup>†</sup> Kits do not include TD/FG colored filters; must order separately-  
 no symbol for this  
<sup>\*\*</sup> ZDC kit includes LED board, ZDC reflector, screws, and flood  
 lens (9LEDFLENS)

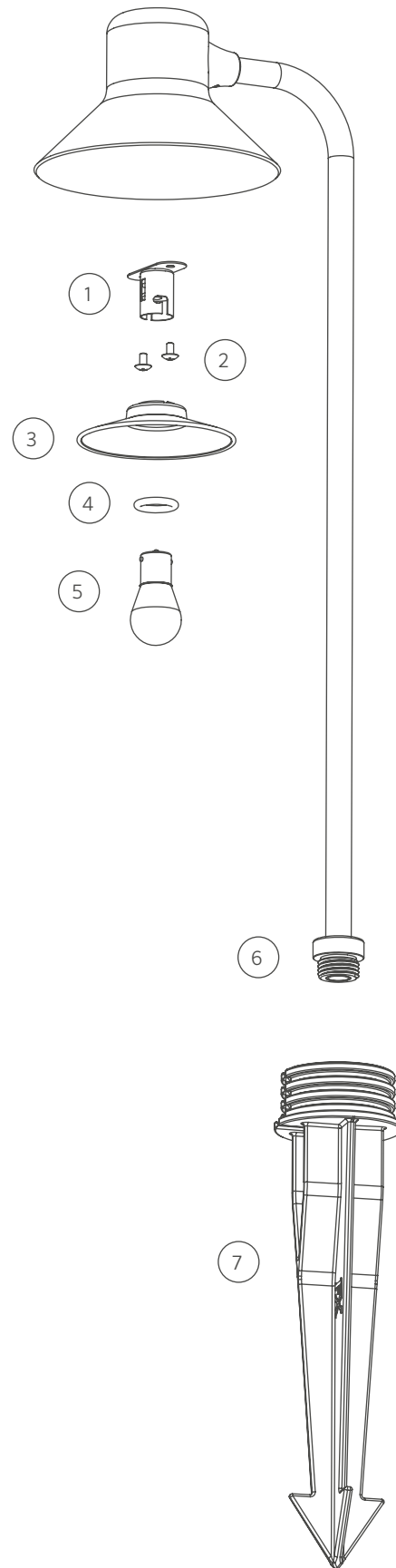


**FG**

ITEM	DESCRIPTION	CATALOG #
1	Socket, Bayonet, Single Contact	250012750000
2	Screw, #6-32 x 1/4"	250010210000
3	Reflector	250012740000
4	O-Ring	250010280019
5	Lamp	See Lamp Chart
6	Bottom Insert	250011990000
7	Long Slot Spike (LSS)	250015840000

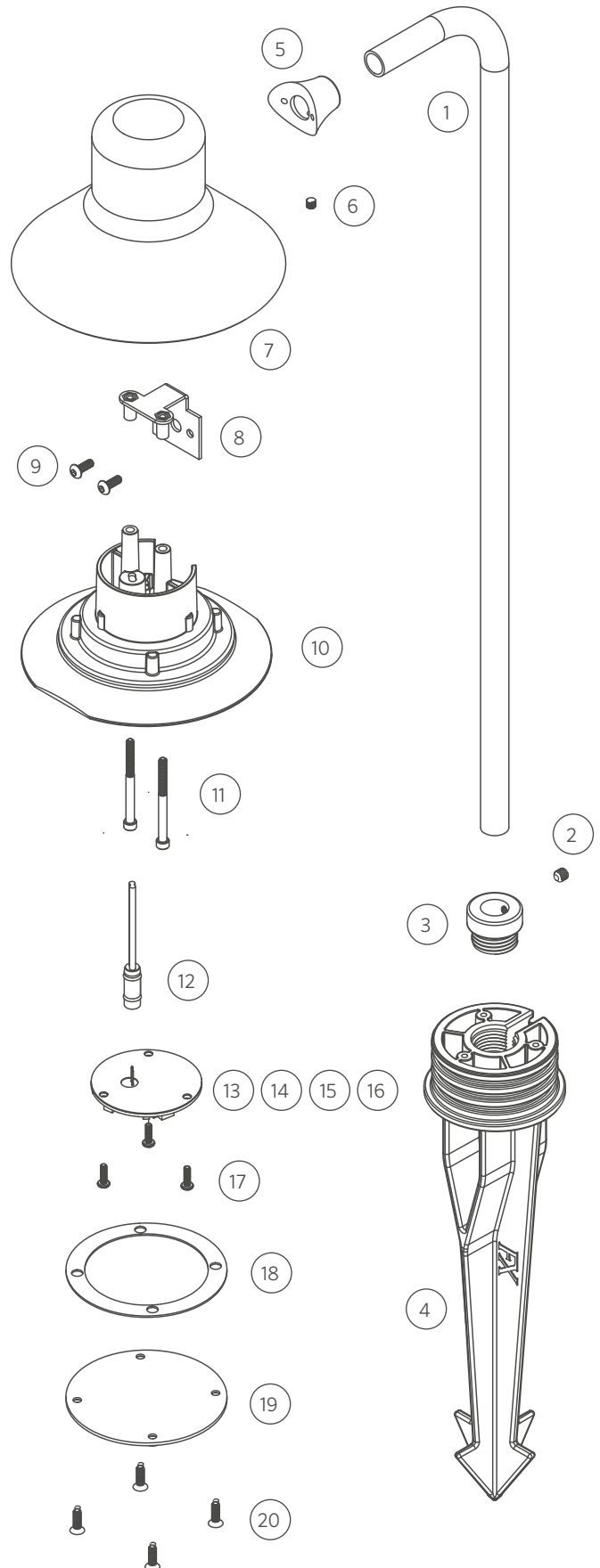
**LAMP Chart**

DESCRIPTION	CATALOG #
Lamp, Miniature 12V	250010510000
Lamp, Miniature 18V	250010510001
Lamp, Miniature 25V	250010510003



**FG LED**

ITEM	DESCRIPTION	CATALOG #
1	Riser	-
2	Screw, #10-32 x 3/16"	250012050000
3	Bottom Insert	250011990000
4	Long Slot Spike (LSS)	250015840000
5	Coupling	-
6	Screw, #8-32 x 3/16"	250012760000
7	Top, Copper	-
8	Bracket	250019140000
9	Screw, #6-32 x 3/8"	250012720000
10	LED Insert	-
11	Screw, #6-32 x 1 3/4"	250019160000
12	Socket, 3-meter	752601
13-16	LED Board	See LED Chart
17	Screw, #4-40 x 3/8"	762400
18	Gasket	250019130000
19	Lens	See LED Chart
20	Screw, #6-32 x 3/8"	250014810000



**FG LED COMPONENTS**

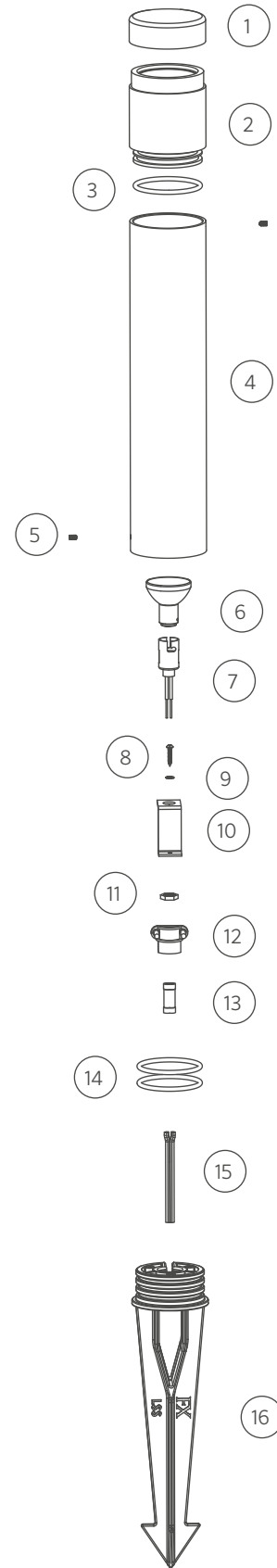
ITEM	DESCRIPTION	CATALOG #
13	1LED Board	1LEDULKIT <sup>†</sup>
14	3LED Board	3LEDULKIT <sup>†</sup>
15	6LED Board	6LEDULKIT <sup>†</sup>
16	9LED Board	9LEDULKIT <sup>†</sup>
16	ZDC LED Board	ZDCKITL <sup>**</sup>
19	Lens, Clear	250019150000
19	Lens, Amber	250019150001

<sup>‡</sup> ZD = Zoneable and dimmable (add ZD to front of part number)  
<sup>†</sup> Kits do not include TD/FG colored filters; must order separately  
<sup>\*\*</sup> ZDC kit includes LED board, ZDC reflector, screws, and flood lens (9LEDFLENS)

**PM**

ITEM	DESCRIPTION	CATALOG #
1	Cap	-
2	Lens	-
3	O-Ring	250010280011
1-3	Lens Cap Assembly	PMLCXX*
4	Body	-
5	Screw, #6-32 x 1/4"	250012940000
6	Lamp, AR-11	250010240001
7	Socket, Bayonet, Double Contact	250012890000
8	Screw, #4 x 5/8"	250012990000
9	Washer, Ext Tooth, #4	250012980000
10	Bracket, Lamp	250012960000
11	Nut, Hex, 1/8"	250012970001
12	Clamp, Wire, 3/8"	250013010000
13	Butt Splice	250013020000
14	O-Ring	250010280006
15	Cable	250013000000
16	Long Slot Spike (LSS)	250015840000
	Hex Key, 1/16" Short Arm	250012950000

\*XX = Powder coat color code



**PM LED**

ITEM	DESCRIPTION	CATALOG #
1	Cap	-
2	Lens	-
3	O-Ring	250010280011
1-3	Lens Cap Assembly	PMLCXX*
4-6	Color Filter	See LED Chart
7-8	Screw, #4-40 x 3/8"	See LED Chart
9-11	Reflector	See LED Chart
12-15	LED Board	See LED Chart
16	Socket, 3-meter	752601
17	Insert	-
18	O-Ring	250010280025
19	Retaining Ring	250019110000
20	Screw, #6-32 x 1/4"	250012940000
21	Body	-
22	O-Ring	250010280006
23	Long Slot Spike (LSS)	250015840000
	Hex Key, 1/16" Short Arm	250012950000

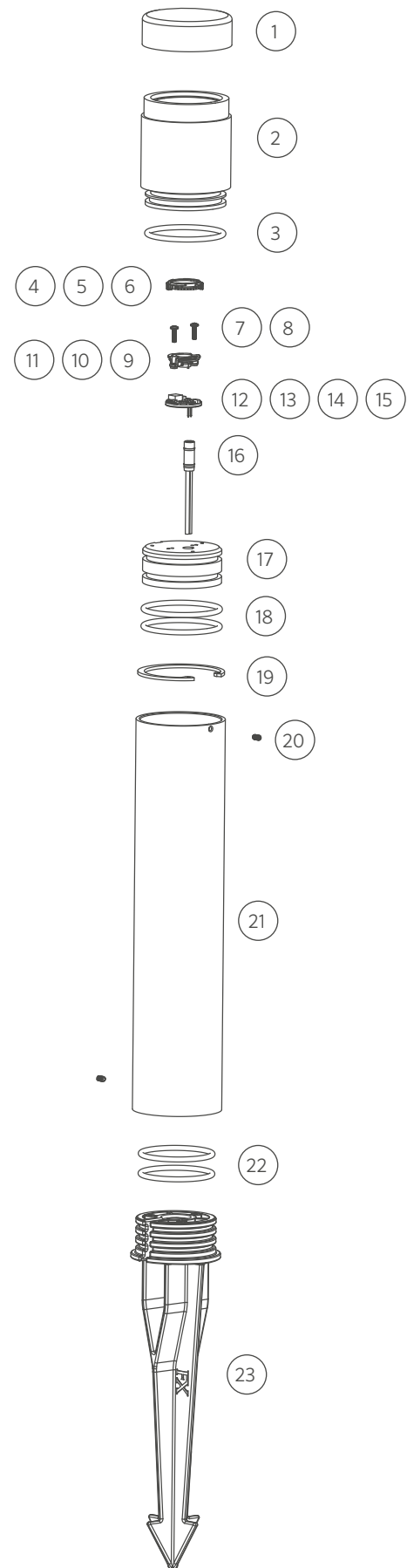
\*XX = Powder coat color code

**PM LED COMPONENTS**

ITEM	DESCRIPTION	CATALOG #
4	1LED Color Filter, Amber	770100
4	1LED Color Filter, Blue	770101
4	1LED Color Filter, Green	770102
5	3LED Color Filter, Amber	770800
5	3LED Color Filter, Blue	770801
5	3LED Color Filter, Green	770802
6	6LED/9LED Color Filter, Amber	771500
6	6LED/9LED Color Filter, Blue	771501
6	6LED/9LED Color Filter, Green	771502
7	1LED/3LED Screw, #4-40 x 3/8" (Qty Req: 2)	762400
8	6LED/9LED Screw, #4-40 x 7/16" (Qty Req: 3)	250014550000
9	1LED Reflector	770000
10	3LED Reflector	770700
11	6LED/9LED Reflector	771400
11	ZDC LED Reflector	250020690000
12	1LED Board	1LEDULKIT <sup>‡</sup>
13	3LED Board	3LEDULKIT <sup>‡</sup>
14	6LED Board	6LEDULKIT <sup>‡</sup>
15	9LED Board	9LEDULKIT <sup>‡</sup>
15	ZDC LED Board	ZDCKITL**

<sup>‡</sup> ZD = Zoneable and dimmable (add ZD to front of part number)

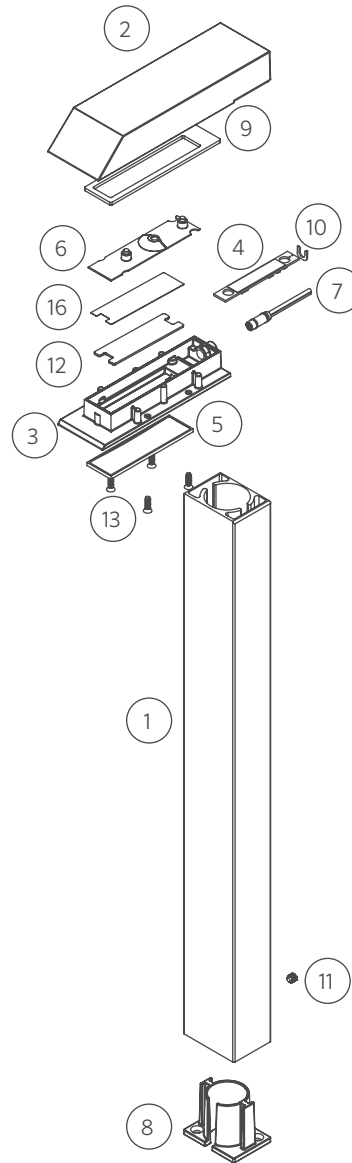
\*\* ZDC kit includes LED board, reflector, screws, and flood lens (9LEDFLENS)



**M-PL LED**

ITEM	DESCRIPTION	CATALOG #
1	M-PL Riser	-
2	M-PL Top	-
3	Top LED Holder	-
4	PCA, LED, 1X, Rectangular	755904/ 755901/ ZDCKITR
5	M-PL Lens	250026570000
6	M-PL Reflector	250026560000
7	Connector Overmolded	752601
8	M-PL Deck Mount	MPL-DM-XX
9	Gasket, Modern Path Light	250026700000
10	Strain Relief, Connector, LF	755800
11	Setscrew, 1/4"-20 x 1/4" LG, CUP Point, SST	250015320000
12	Amber Lens	250027320000
13	Screw, FH, #6-32 x 1/2" LG, Mach, Phillips, SST, 82°	750114
14	Screw, FH, #6-18 x 1 1/2" LG, Drywall, Phillips	250013060000
15	M-PL, ZDC, Top Filter	250027330000
16	M-PL, ZDC, Bottom Filter	250027340000

\*XX = Finish code

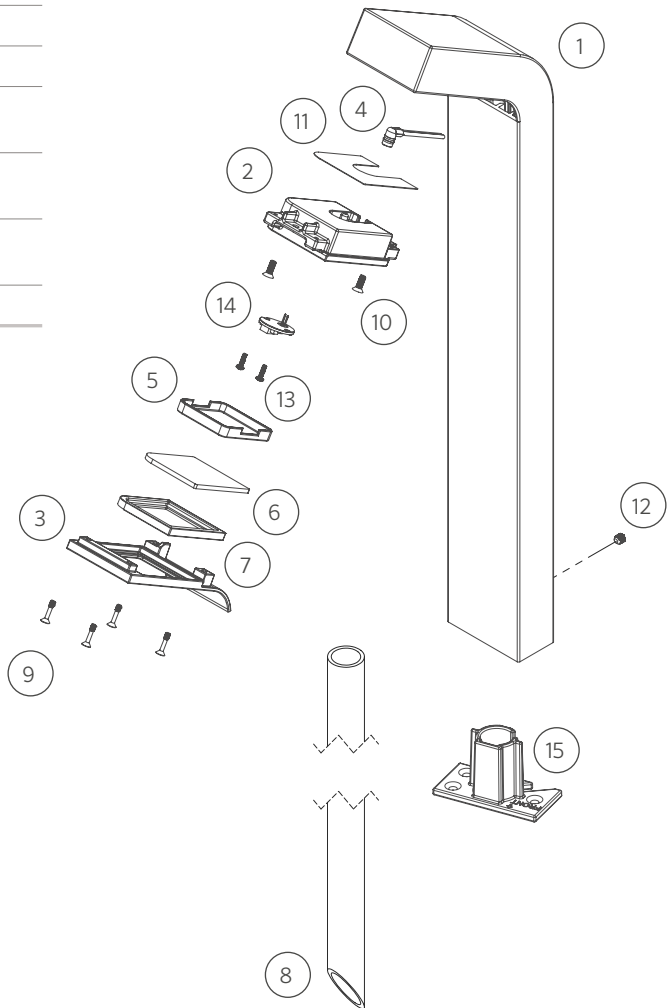


**M-PJ LED**

ITEM	DESCRIPTION	CATALOG #
1	Riser Assembly	-
2	LED Housing	-
3	Faceplate, M-PJ	MPJFPXX*
4	90° Socket	-
5	Color Filter	250028760000
6	Lens, Asymmetric	250028740000
7	Gasket	250028730000
8	Conduit Stake, 3/4" (19 mm) PVC	250028770000
9	Screw, #6-32 x 5/8"	250028520000
10	Screw, #8-32 x 7/16"	250024690000
11	Thermal Pad	-
12	Setscrew, 1/4"-20 x 1/4"	250015320000
13	Screw, #4-40 x 3/8"	762400
14	PCA LED, 1LED (Default Luxor Option)	1LEDULKIT†
14	PCA LED, 3LED (Default Luxor Option)	3LEDULKIT†
14	PCA LED (ZDC Luxor Option)	ZDCKITM
15	Deck Mount	MPJDMXX*

\*XX = Powder coat color code

†ZD = Zoneable and dimmable (add ZD to front of part number)



**M-PK LED**

ITEM	DESCRIPTION	CATALOG #
1	Housing	-
2	Riser	-
3	LED Housing	-
4	90° Socket	-
5	Faceplate, M-PK	MPKFPXX*
6	Lens, Symmetric	250028500000
7	Gasket	250028510000
8	Screw, #6-32 x 5/8"	250028520000
9	Screw, #6-32 x 3/4"	250024710000
10	LED Board	See LED Chart
11	Reflector	See LED Chart
12	1LED Diffuser	770600
12	3LED Diffuser	771300
13	Color Filter	See LED Chart
14	Screw, #4-40 x 3/8"	762400
15	Conduit Stake, 1" (32 mm) PVC	MPL-COND-30
16	Setscrew, 1/4"-20 x 1/2"	250028060000
17	Screw, #6-32 x 3/8"	250030060000
18	Screw, #6-32 x 3/4"	250030050000
19	Deck Mount	MPL-DM-XX*

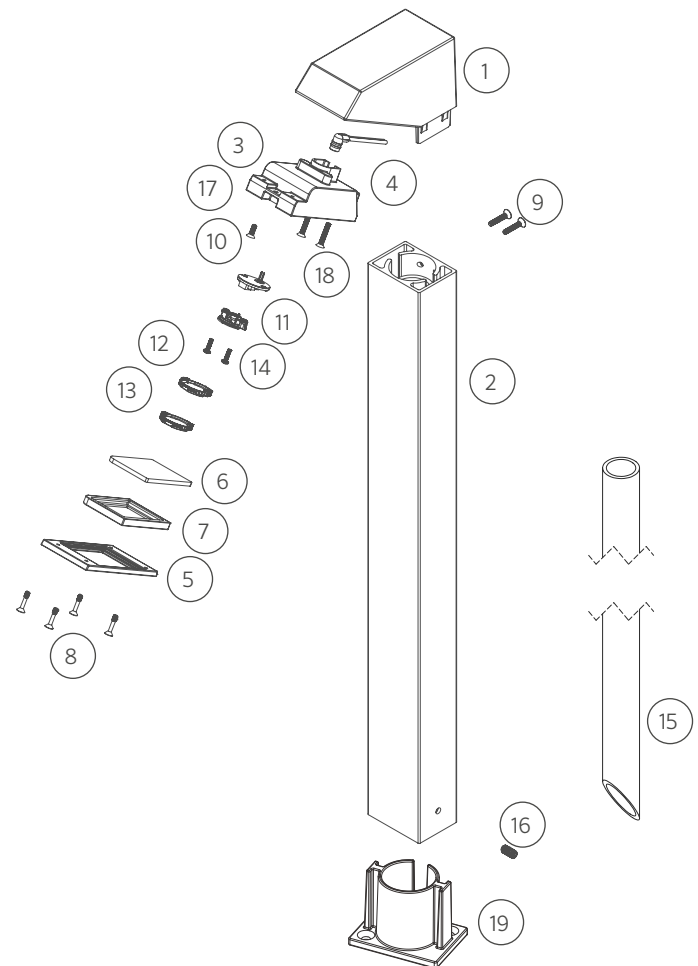
\*XX = Powder coat color code

**M-PK LED COMPONENTS**

ITEM	DESCRIPTION	CATALOG #
10	1LED Board	1LEDULKIT <sup>†</sup>
10	3LED Board	3LEDULKIT <sup>†</sup>
10	ZDC LED Board	ZDCKITM <sup>**</sup>
11	1LED Reflector	770000
11	3LED Reflector	770700
11	ZDC LED Reflector	250022050000
13	1LED Color Filter, Amber	770100
13	1LED Color Filter, Blue	770101
13	1LED Color Filter, Green	770102
13	3LED Color Filter, Amber	770800
13	3LED Color Filter, Blue	770801
13	3LED Color Filter, Green	770802

\*\*ZDC kit includes LED board, reflector (#11), screws (#14), and flood lens diffuser (3LEDFLENS)

<sup>†</sup>ZD = Zoneable and dimmable (add ZD to front of part number)





**M-PZ LED**

ITEM	DESCRIPTION	CATALOG #
1	Riser	-
2	Faceplate, M-PZ	MPZFPXX*
3	Cap	MPZCPXX*
4	Gasket	250028680000
5	Lens, Asymmetric	250028650000
6	LED Housing	-
7	Screw, #6-32 x 3/8"	250028400000
8	90° Socket	-
9	Setscrew, 1/4"-20 x 1/2"	250028060000
10	Screw, #4-40 x 3/8"	762400
11	Setscrew, #8-32 x 1/4"	250028560000
12	Conduit Stake, 1" (32 mm) PVC	MPL-COND-30
13	LED Board	See LED Chart
14	Reflector	See LED Chart
15	Color Filter	See LED Chart
16	Deck Mount	MPZDMXX*

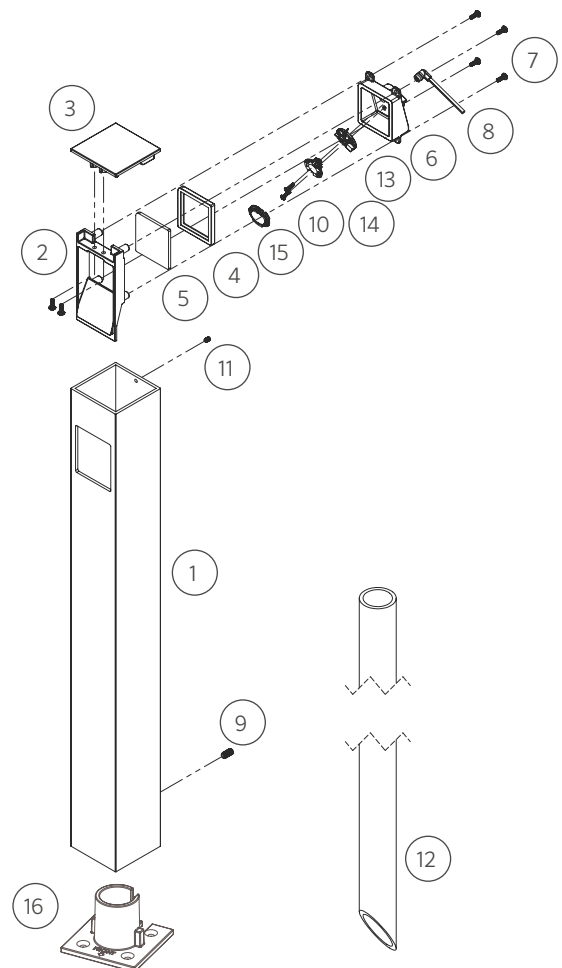
\*XX = Powder coat color code

**M-PZ LED COMPONENTS**

ITEM	DESCRIPTION	CATALOG #
13	1LED Board	1LEDULKIT <sup>†</sup>
13	3LED Board	3LEDULKIT <sup>†</sup>
13	ZDC LED Board	ZDCKITM <sup>**</sup>
14	1LED Reflector	770000
14	3LED Reflector	770700
14	ZDC LED Reflector	250022050000
15	1LED Color Filter, Amber	770100
15	1LED Color Filter, Blue	770101
15	1LED Color Filter, Green	770102
15	3LED Color Filter, Amber	770800
15	3LED Color Filter, Blue	770801
15	3LED Color Filter, Green	770802

<sup>†</sup>ZD = Zoneable and dimmable (add ZD to front of part number)

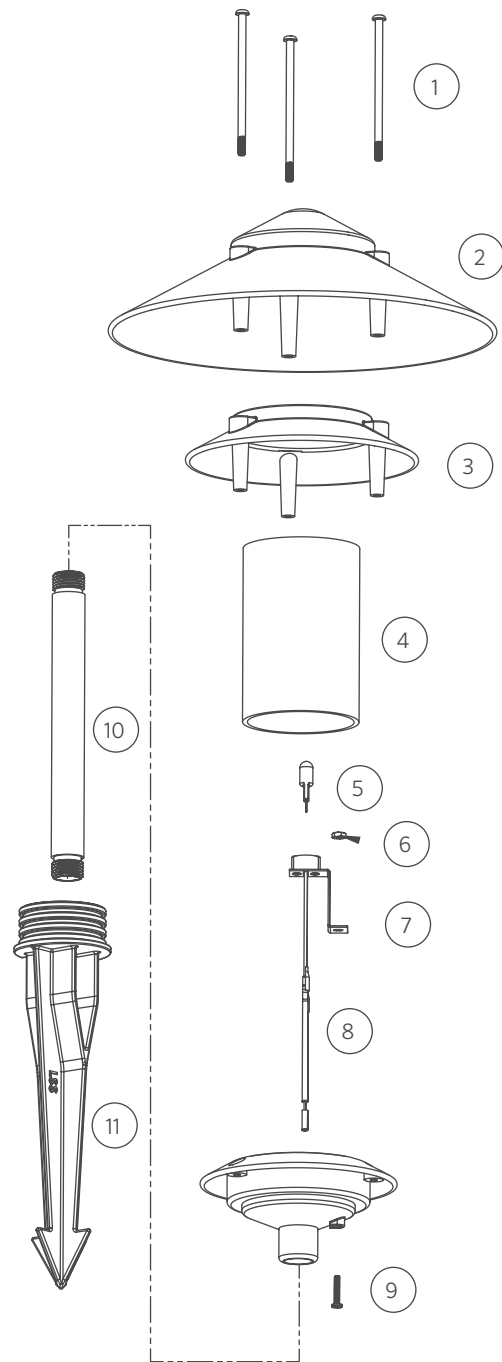
<sup>\*\*</sup>ZDC kit includes LED board, reflector (#14), screws (#10), and flood lens diffuser (9LEDFLLENS)



**DR 3-TIER**

ITEM	DESCRIPTION	CATALOG #
1	Screw, #10-24 x 3 <sup>7</sup> / <sub>16</sub> "	250011520000
2	Tier, Top	-
3	Tier, Middle	-
4	Lens	250011530000
5	Lamp, G4 Bi-Pin	See Lamp Chart, p. 137-139
6	Nut	250011510000
7	Base, Tier	-
8	Socket	250011490000
9	Screw, #6-32 x 3 <sup>4</sup> / <sub>4</sub> "	250011500000
10	Riser, Aluminum	YYRXX*
11	Long Slot Spike (LSS)	250015840000

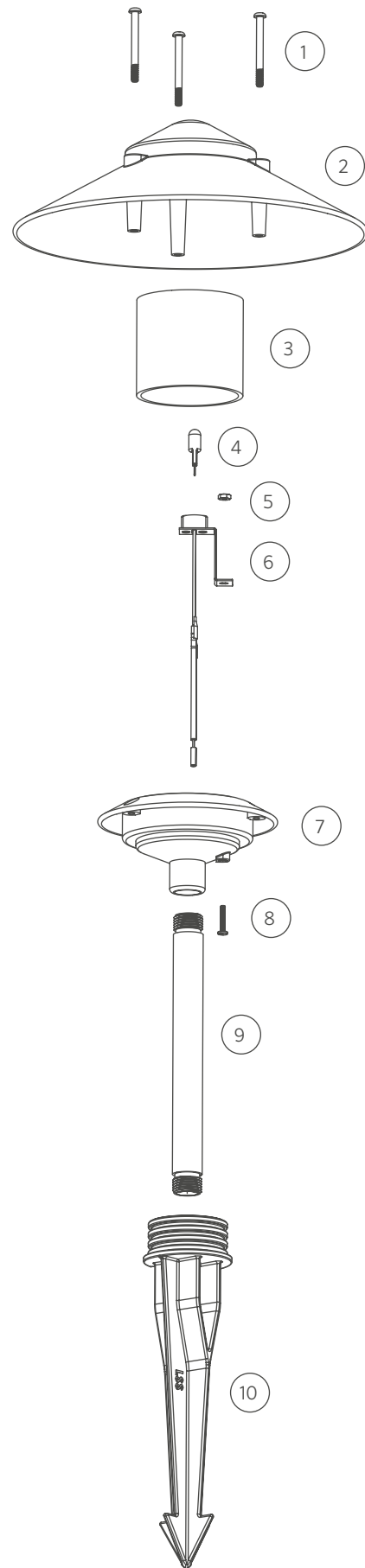
\* YY = Riser height in inches, XX = Powder coat color code



**DR 2-TIER**

ITEM	DESCRIPTION	CATALOG #
1	Screw, #10-24 x 2"	250011550000
2	Tier, Top	-
3	Lens	250011540000
4	Lamp, G4 Bi-Pin	See Lamp Chart, p. 137-139
5	Nut	250011510000
6	Socket	250011490000
7	Base, Tier	-
8	Screw, #6-32 x 3/4"	250011500000
9	Riser, Aluminum	YYRXX*
10	Long Slot Spike (LSS)	250015840000

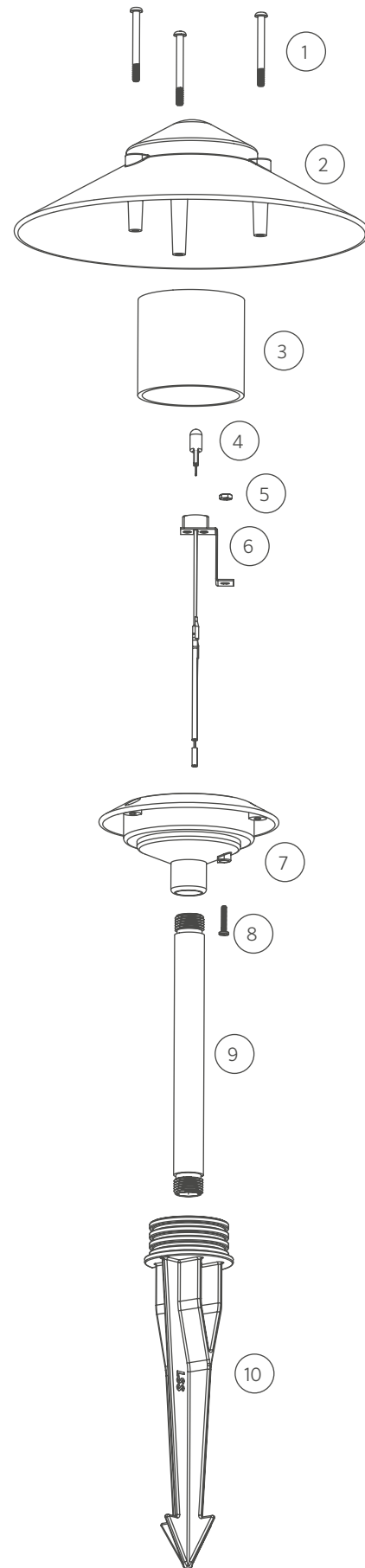
\* YY = Riser height in inches, XX = Powder coat color code



**DS 2-TIER**

ITEM	DESCRIPTION	CATALOG #
1	Screw, #10-24 x 2"	250011550000
2	Tier, Top	-
3	Lens	250011620000
4	Lamp, G4 Bi-Pin	See Lamp Chart, p. 137-139
5	Nut	250011510000
6	Socket	250011490000
7	Base, Tier	-
8	Screw, #6-32 x 3/4"	250011500000
9	Riser, Aluminum	YYRXX*
10	Long Slot Spike (LSS)	250015840000

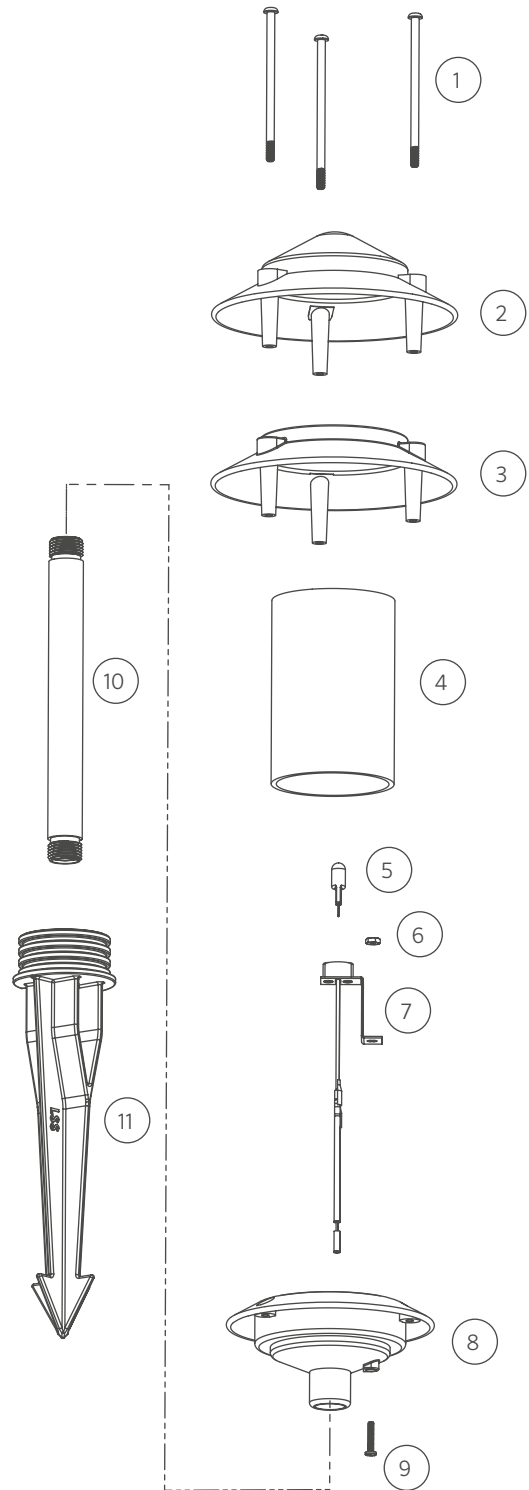
\* YY = Riser height in inches, XX = Powder coat color code



**DS 3-TIER**

ITEM	DESCRIPTION	CATALOG #
1	Screw, #10-24 x 3 <sup>7</sup> / <sub>16</sub> "	250011520000
2	Tier, Top	-
3	Tier, Middle	-
4	Lens	250011610000
5	Lamp, G4 Bi-Pin	See Lamp Chart, p. 137-139
6	Nut	250011510000
7	Socket Assembly	250011490000
8	Base, Tier	-
9	Screw, #6-32 x 3 <sup>4</sup> / <sub>4</sub> "	250011500000
10	Riser, Aluminum	YYRXX*
11	Long Slot Spike (LSS)	250015840000

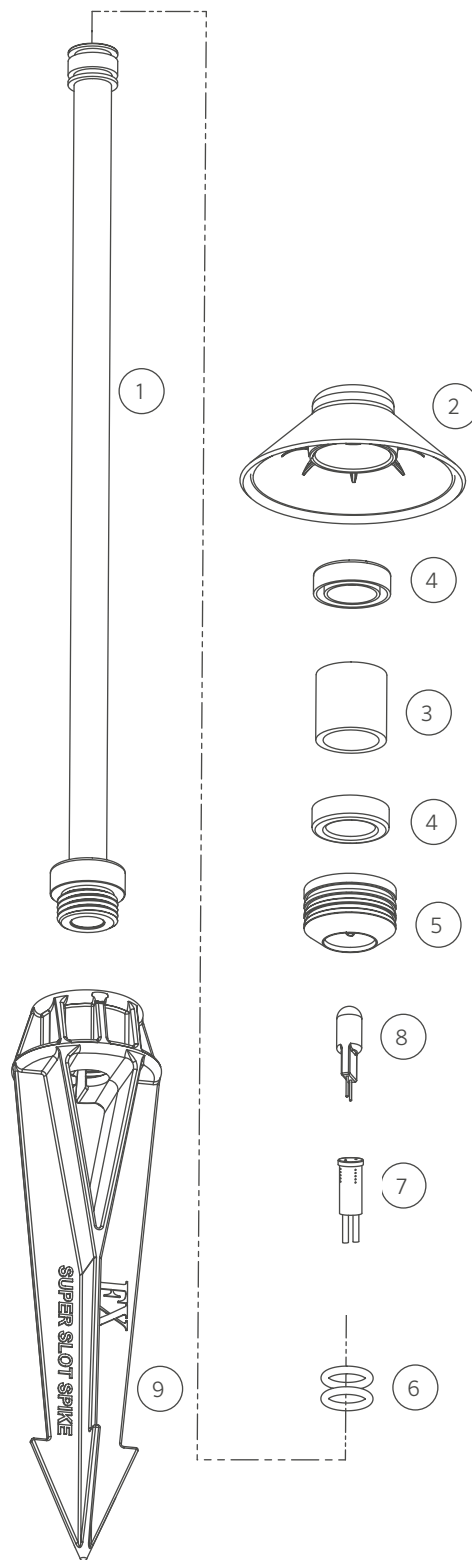
\* YY = Riser height in inches, XX = Powder coat color code



**DP**

ITEM	DESCRIPTION	CATALOG #
1	Riser Subassembly	YYRA050XX*
2	Top and Reflector	-
3	Lens	250012080000
4	Seal	250012060000
5	Reducer	-
6	O-Ring	250010280003
7	Socket, G4	754601
8	Lamp, G4 Bi-Pin	See Lamp Chart, p. 137-139
9	Super Slot Spike	753900
2-5	DP Top Assembly	DPTAXX*
	Hex Key, 5/64" Long Arm	250010330000

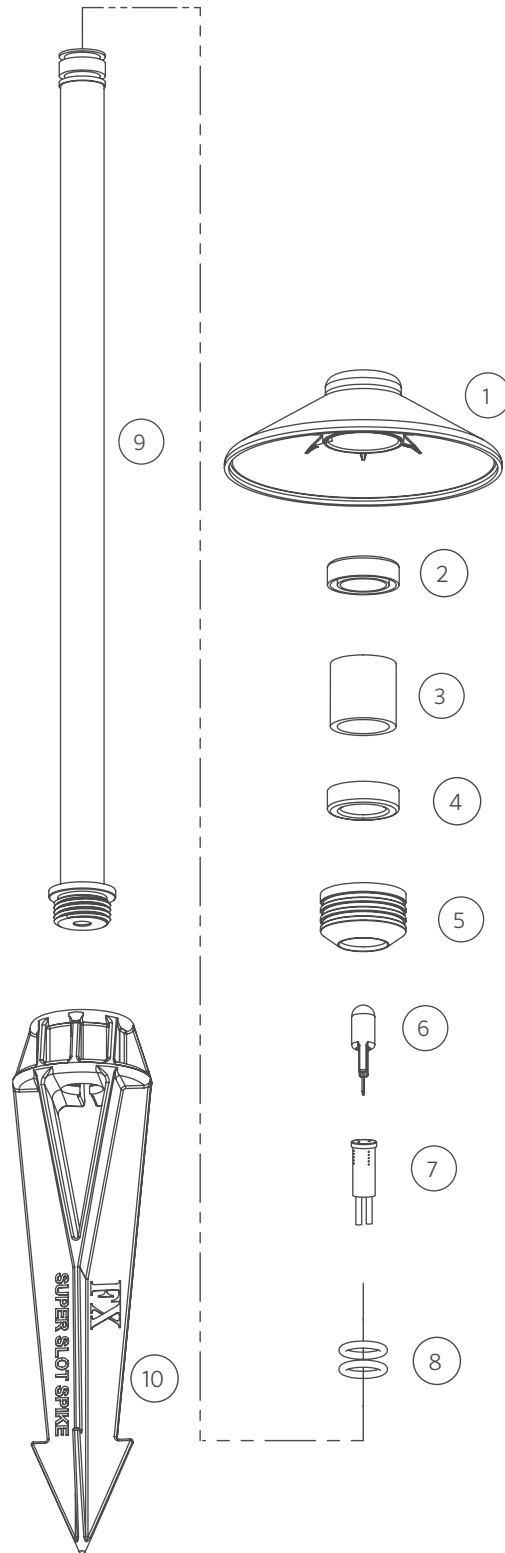
\* YY = Riser height in inches, XX = Powder coat color code



**PV**

ITEM	DESCRIPTION	CATALOG #
1	Top and Reflector	-
2	Seal, Silicone	250012060000
3	Lens	250012080000
4	Seal, Silicone	250012060000
5	Reducer, Brass	-
6	Lamp, G4 Bi-Pin	See Lamp Chart, p. 137-139
7	Socket, G4	754601
8	O-Ring	250010280003
9	Riser Subassembly	YYRA050XX*
10	Super Slot Spike	753900
1-5	PV Top Assembly	PVTAXX*
	Hex Key, 5/64" Long Arm	250010330000

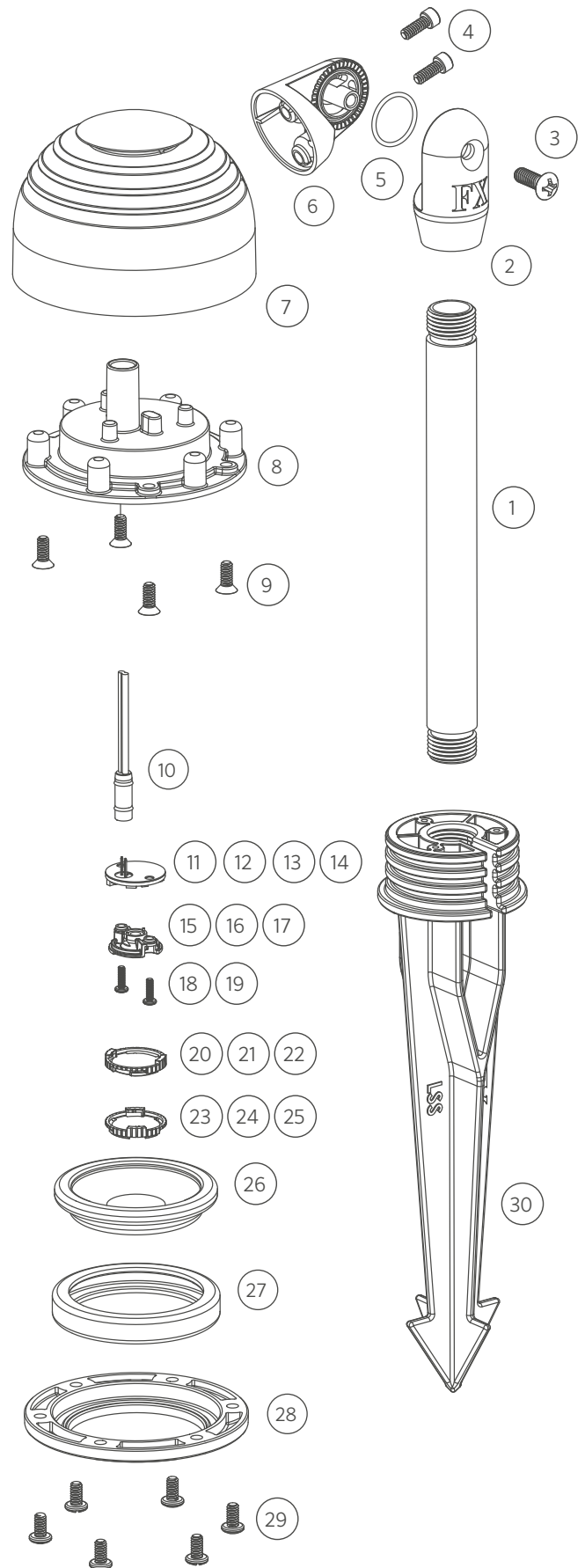
\* XX = Powder coat color code



**RW** PATH/UP LIGHT LED

ITEM	DESCRIPTION	CATALOG #
1	Riser, Aluminum	YYRXX*
2	Knuckle Subassembly (Male)	KFM050XX*
2	Knuckle Subassembly (Female)	KFF050XX*
3	Screw, 1/4"-20 x 3/4"	250010290000
4	Screw, #10-24 x 3/8"	250013940000
5	O-Ring	250010280002
6	Base	-
7	Body	-
8	Insert	-
9	Screw	250020010000
10	Socket, 1.5-meter	-
11-14	LED Board	See LED Chart
15-17	Reflector	See LED Chart
18-19	Screw	See LED Chart
20-22	Color Filter	See LED Chart
23-25	Diffuser	See LED Chart
26	Glass Lens, Frosted	250014240001
27	Seal	250014250000
28	Faceplate	FCFPRGXX*
29	Screw, #10-24 x 3/8"	250015870000
30	Long Slot Spike	250015840000

\* YY = Riser height in inches, XX = Powder coat color code

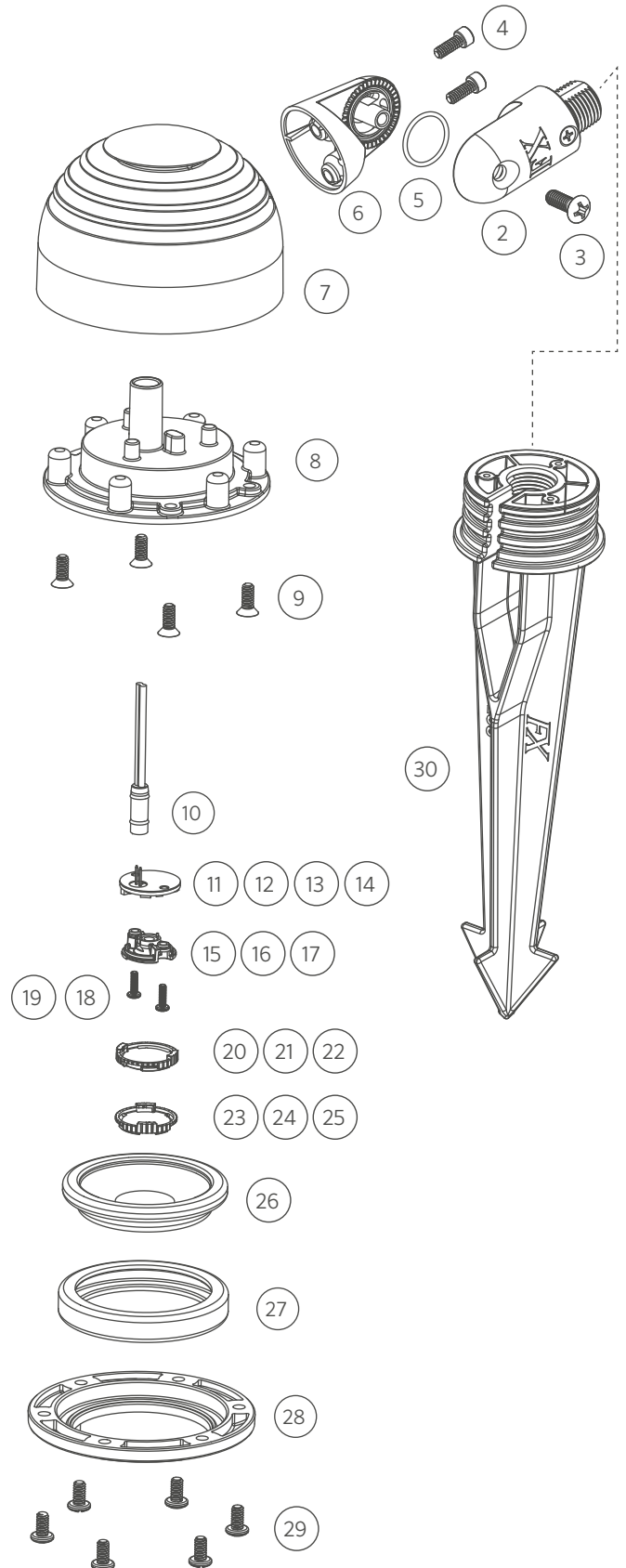




RW LED COMPONENTS

ITEM	DESCRIPTION	CATALOG #
11	1LED Board	1LEDULKIT <sup>‡</sup>
12	3LED Board	3LEDULKIT <sup>‡</sup>
13	6LED Board	6LEDULKIT <sup>‡</sup>
14	9LED Board	9LEDULKIT <sup>‡</sup>
14	ZDC LED Board	ZDCKITL <sup>**</sup>
15	1LED Reflector	770000
16	3LED Reflector	770700
17	6LED/9LED Reflector	771400
17	ZDC LED Reflector	250020690000
18	1LED/3LED Screw, #4-40 x 3/8" (Qty Req: 2)	762400
19	6LED/9LED Screw, #4-40 x 7/16" (Qty Req: 3)	250014550000
20	1LED Color Filter, Amber	770100
20	1LED Color Filter, Blue	770101
20	1LED Color Filter, Green	770102
21	3LED Color Filter, Amber	770800
21	3LED Color Filter, Blue	770801
21	3LED Color Filter, Green	770802
22	6LED/9LED Color Filter, Amber	771500
22	6LED/9LED Color Filter, Blue	771501
22	6LED/9LED Color Filter, Green	771502
23	1LED Spot Lens (18°)	770600
23	1LED Flood Lens (30°-32°)	1LEDFLENS
23	1LED Wide Flood Lens (56°-58°)	1LEDWFLENS
24	3LED Spot Lens (18°)	771300
24	3LED Flood Lens (30°-32°)	3LEDFLENS
24	3LED Wide Flood Lens (56°-58°)	3LEDWFLENS
25	6LED/9LED Spot Lens (18°)	771600
25	6LED/9LED Flood Lens (30°-32°)	9LEDFLENS
25	6LED/9LED Wide Flood Lens (56°-58°)	9LEDWFLENS

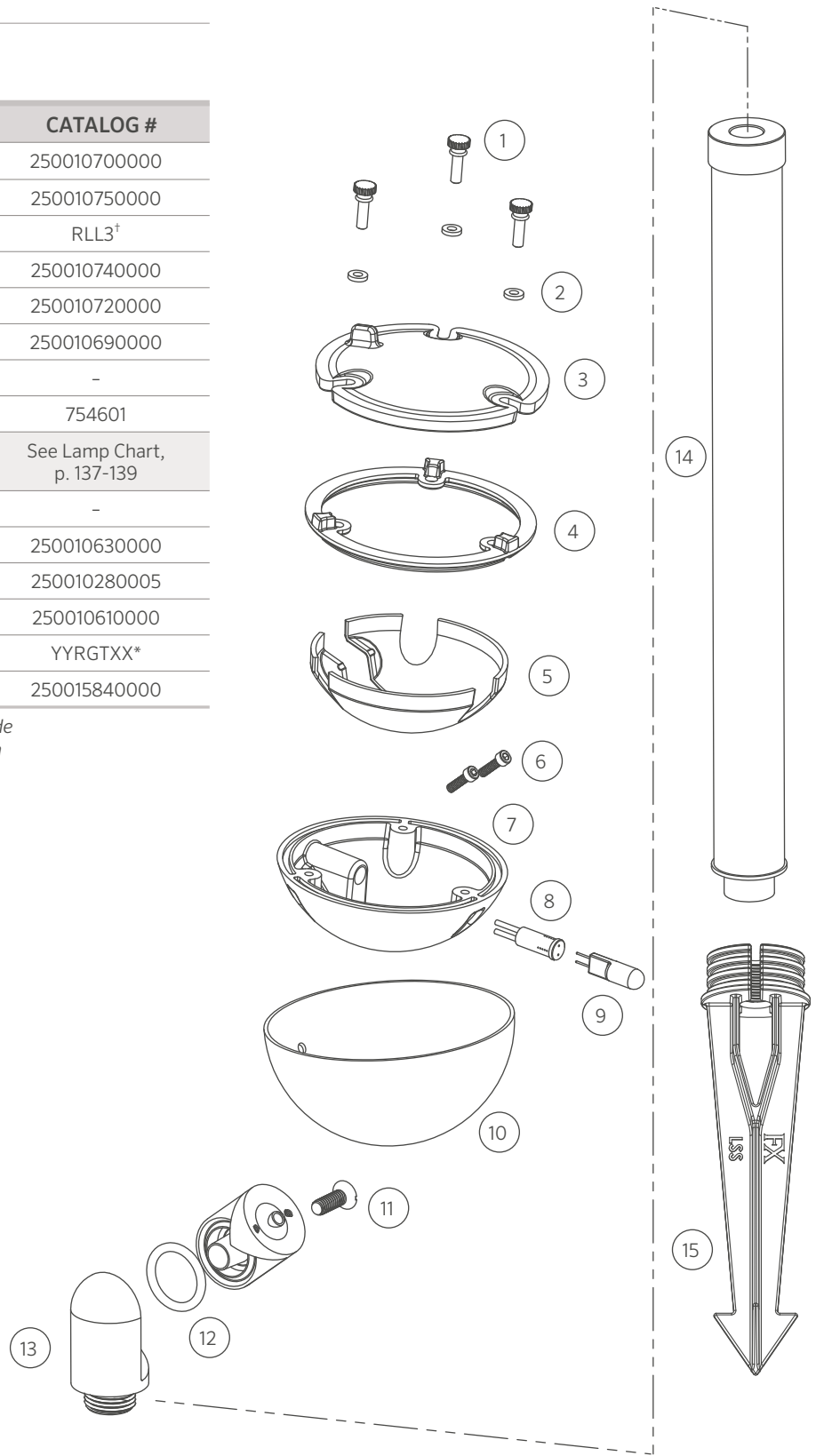
<sup>‡</sup> ZD = Zoneable and dimmable (add ZD to front of part number)  
<sup>\*\*</sup> ZDC kit includes LED board, reflector, screws, and flood lens (9LEDFLENS)



GT

ITEM	DESCRIPTION	CATALOG #
1	Screw, #8-32 x 1/2"	250010700000
2	Washer	250010750000
3	Frosted Lens	RLL3 <sup>†</sup>
4	Seal	250010740000
5	Reflector	250010720000
6	Screw, #6-32 x 1/2"	250010690000
7	Body	-
8	Socket, G4	754601
9	Lamp, G4 Bi-Pin	See Lamp Chart, p. 137-139
10	Housing	-
11	Screw	250010630000
12	O-Ring	250010280005
13	Knuckle	250010610000
14	Riser Assembly	YYRGTXX*
15	Long Slot Spike (LSS)	250015840000

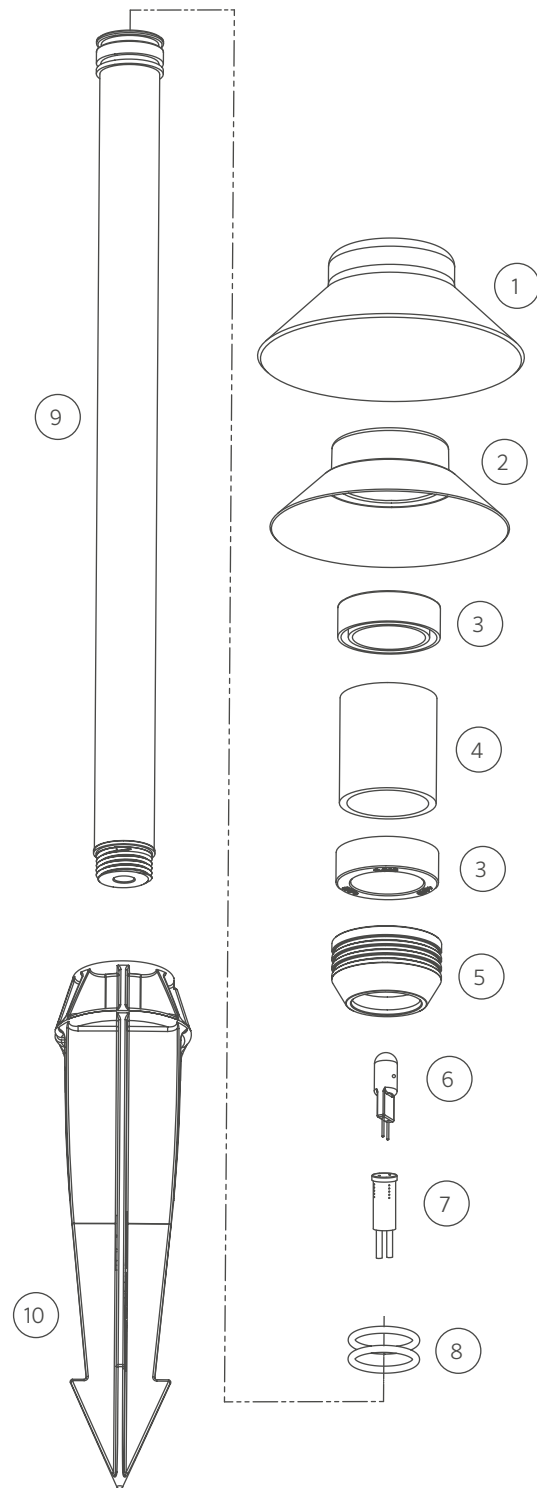
\* YY = Riser height in inches, XX = Finish code  
<sup>†</sup> Order RLL1 for obsolete, single-hole option



AP

ITEM	DESCRIPTION	CATALOG #
1	Copper Top Shade	-
2	Reflector	250012130000
3	Seal, Silicone	250012140000
4	Lens	250012120000
5	Reducer	250012090000
6	Lamp, G4 Bi-Pin	See Lamp Chart, p. 137-139
7	Socket, G4	754601
8	O-Ring	250010280004
9	Riser Subassembly	YYRA075XX*
10	Super Slot Spike	753900
1-5	Top Assembly	APTAXX*

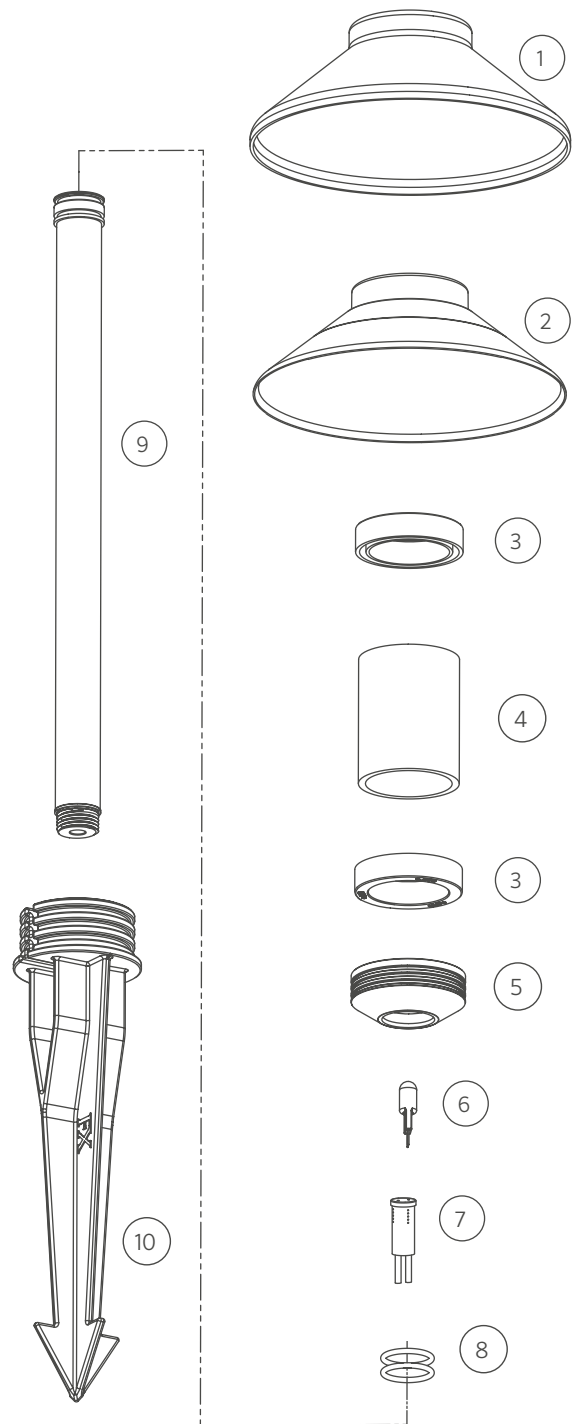
\* YY = Riser height in inches, XX = Powder coat color code



**AN**

ITEM	DESCRIPTION	CATALOG #
1	Top, Copper	-
2	Reflector	250012420000
3	Seal	250012410000
4	Lens	250012400000
5	Reducer	250012370000
6	Lamp, G4 Bi-Pin	See Lamp Chart, p. 137-139
7	Socket, G4	754601
8	O-Ring	250010280004
9	Riser Subassembly	YYRA075XX*
10	Long Slot Spike (LSS)	250015840000
1-5	Top Assembly	ANTAXX*

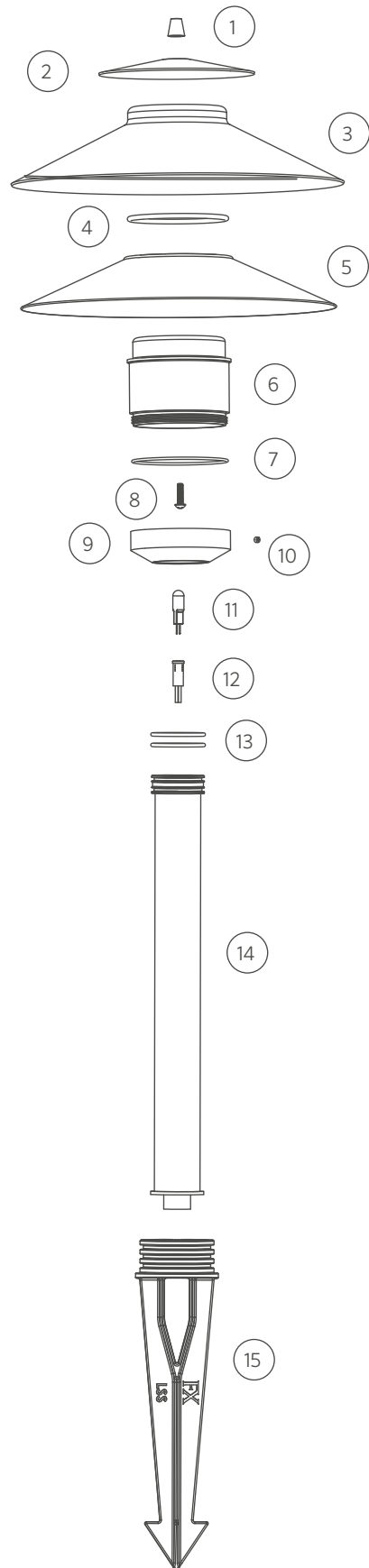
\* YY = Riser height in inches, XX = Finish code



**GN**

ITEM	DESCRIPTION	CATALOG #
1	Cap	250012300000
2	Shade, Copper	-
3	Top, Copper	-
4	O-Ring	250010280028
5	Reflector	756400
6	Lens	756500
7	O-Ring	250010280027
8	Screw, #8-32 x 5/8"	250012390000
9	Reducer, Brass	-
10	Screw, #8-32 x 1/8"	250010320000
11	Lamp, G4 Bi-Pin	See Lamp Chart, p. 137-139
12	Socket, G4	754601
13	O-Ring	250010280014
14	Riser Assembly	YYRAGNXX*
15	Long Slot Spike (LSS)	250015840000
1-10	Top Assembly	GNTAXX*
	Hex Key, 5/64" Long Arm	250010330000

\* YY = Riser height in inches, XX = Finish code

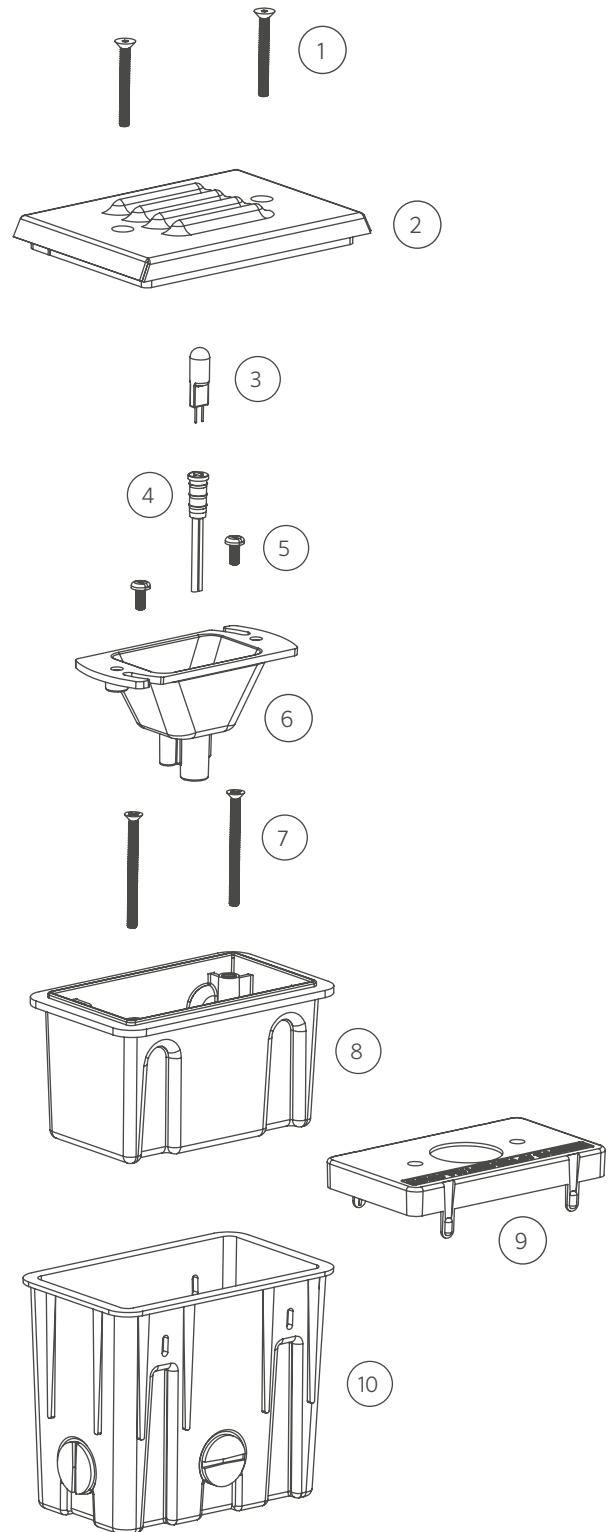


# WALL LIGHTS

## CP

ITEM	DESCRIPTION	CATALOG #
1	Screw, #8-32 x 1½"	250021670000
2	Faceplate, Lens, and Gasket	-
3	Lamp	250010260001
4	Socket, G4	754601
5	Screw, #8-32 x ¾"	250013070000
6	Reflector	250015750000
7	Screw, #8-32 x 2"	250013080000
8	Inner Box	-
9	Sleeve Protector	-
10	Outer Sleeve	-
9-10	Sleeve and Protector Assembly	250022040000
4-8	Box Assembly	CPBA
1-2	Faceplate Assembly	CPFPXX*
	Hex Key, ⅜" Long Arm	250013120000

\*XX = Finish code



CP LED

ITEM	DESCRIPTION	CATALOG #
1	Screw, #8-32 x 1½"	250021670000
2	Faceplate, Lens, Gasket	-
3	Screw, #8-32 x ¾"	250013070000
4	Color Filter	See LED Chart
5	Screw, #4-40 x ¾"	762400
6	LED Board	See LED Chart
7	Socket, 3-meter	752601
8	Reflector	250015750000
9	Screw, #8-32 x 2"	250013080000
10	Inner Box	-
11	Sleeve Protector	-
11-12	Sleeve and Protector Assembly	250022040000
12	Outer Sleeve	-
3-10	Retrofit Kit	CPLEDRETRO
1-2	Faceplate Assembly	CPFPXX*
	Hex Key, ¾" Long Arm	250013120000

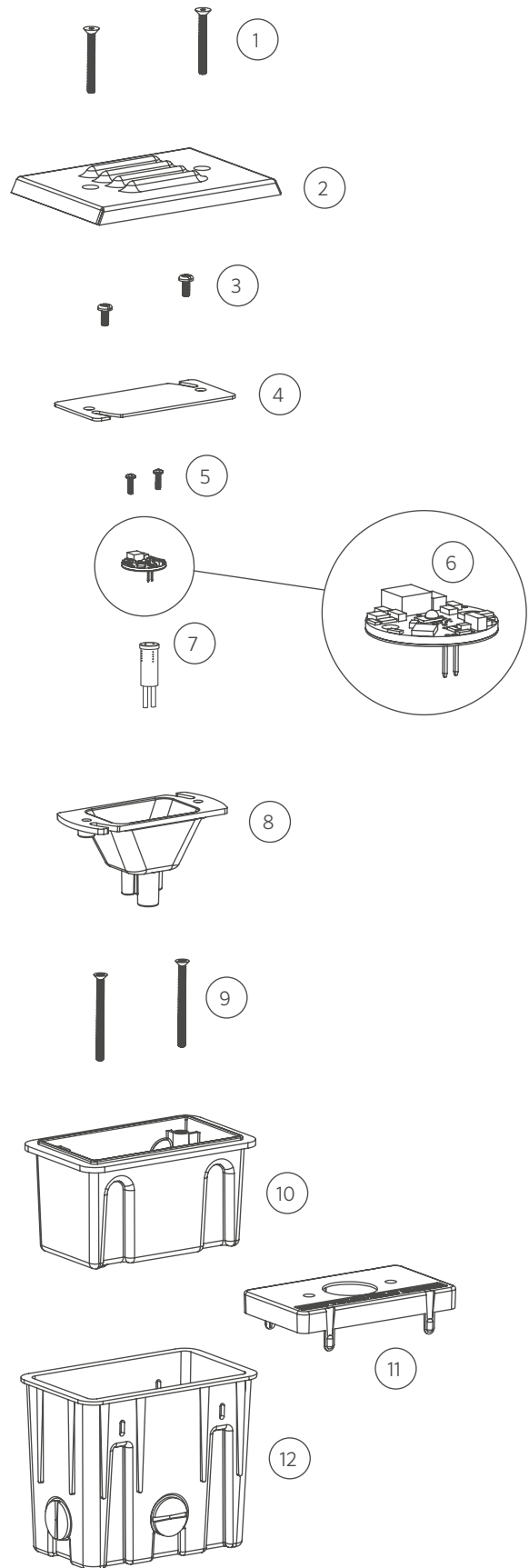
\* XX = Finish code

CP LED COMPONENTS

ITEM	DESCRIPTION	CATALOG #
4	Color Filter, Amber	250015770000
4	Color Filter, Blue	250015770001
4	Color Filter, Green	250015770002
6	1LED Board	1LEDULKIT <sup>‡</sup>

<sup>‡</sup> ZD = Zoneable and dimmable (add ZD to front of part number)

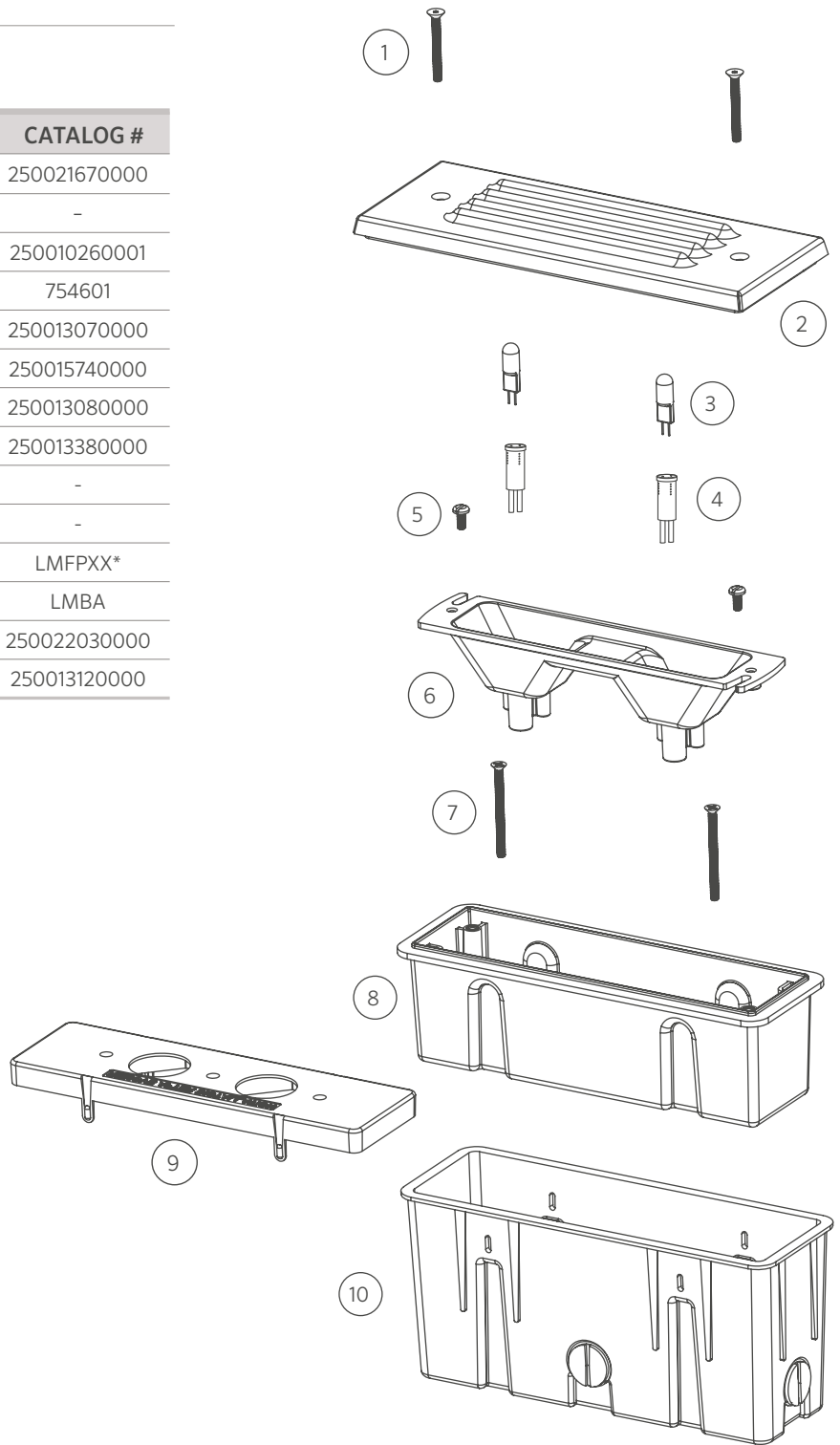
<sup>†</sup> Kits do not include UN/CP colored filters; must order separately



**LM**

ITEM	DESCRIPTION	CATALOG #
1	Screw, #8-32 x 1½"	250021670000
2	Faceplate, Lens, and Gasket	-
3	Lamp	250010260001
4	Socket, G4	754601
5	Screw, #8-32 x ¾"	250013070000
6	Reflector	250015740000
7	Screw, #8-32 x 2"	250013080000
8	Inner Box	250013380000
9	Sleeve Protector	-
10	Sleeve	-
1-2	Faceplate Assembly	LMFPXX*
4-8	Box Assembly	LMBA
9-10	Sleeve and Protector Assembly	250022030000
	Hex Key, ¾" Long Arm	250013120000

\*XX = Finish code for faceplate





LM LED

ITEM	DESCRIPTION	CATALOG #
1	Screw, #8-32 x 1½"	250021670000
2	Faceplate, Lens, and Gasket	-
3	Screw, #4-40 x ¾"	762400
4	Color Filter	See LED Chart
5	Screw, #8-32 x ¾"	250013070000
6	LED Board	See LED Chart
7	Socket, 3-meter	752601
8	Reflector	250015740000
9	Screw, #8-32 x 2"	250013080000
10	Inner Box	-
11	Sleeve Protector	-
12	Sleeve	-
1-2	Faceplate Assembly	LMFPXX*
4-10	LED Retrofit Kit	LMLEDRETRO
11-12	Sleeve and Protector Assembly	250022030000
	Hex Key, ¾" Long Arm	250013120000

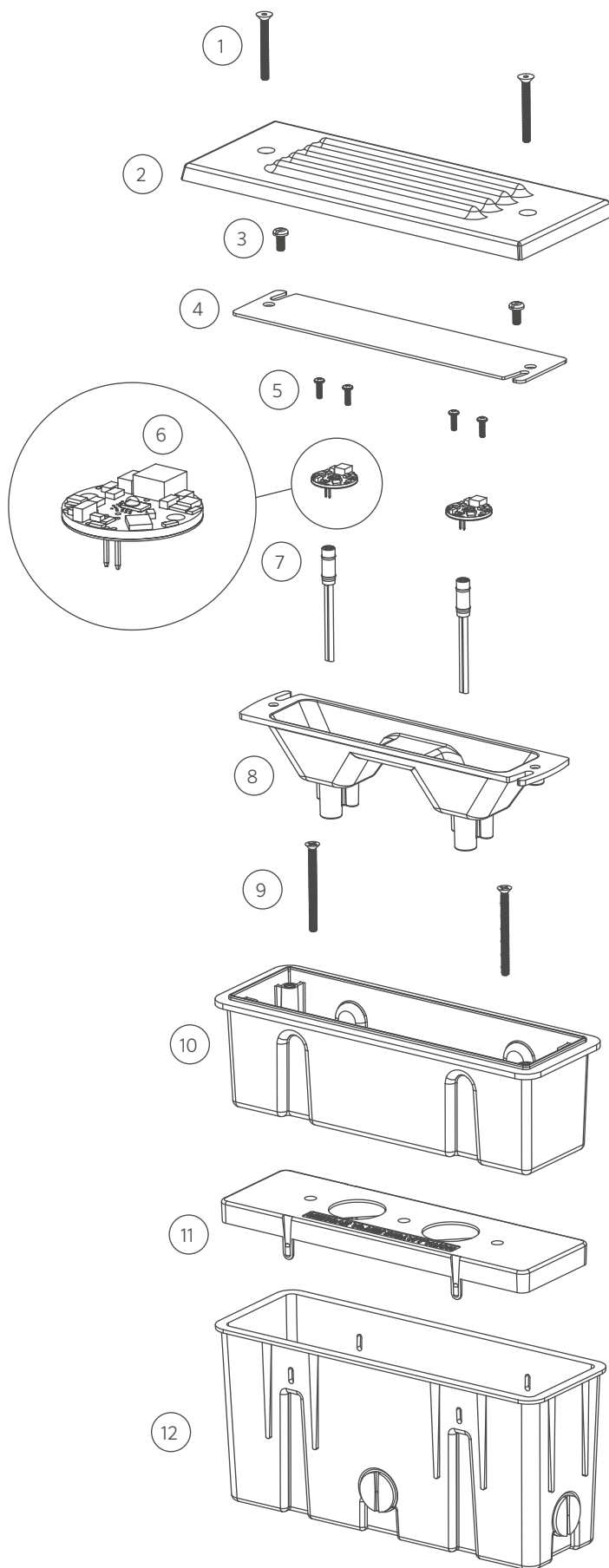
\*XX = Finish code for faceplate

LM LED COMPONENTS

ITEM	DESCRIPTION	CATALOG #
4	Color Filter, Amber	250015760000
4	Color Filter, Blue	250015760001
4	Color Filter, Green	250015760002
6	1LED Board	1LEDULKIT <sup>‡</sup>

<sup>‡</sup> ZD = Zoneable and dimmable (add ZD to front of part number)

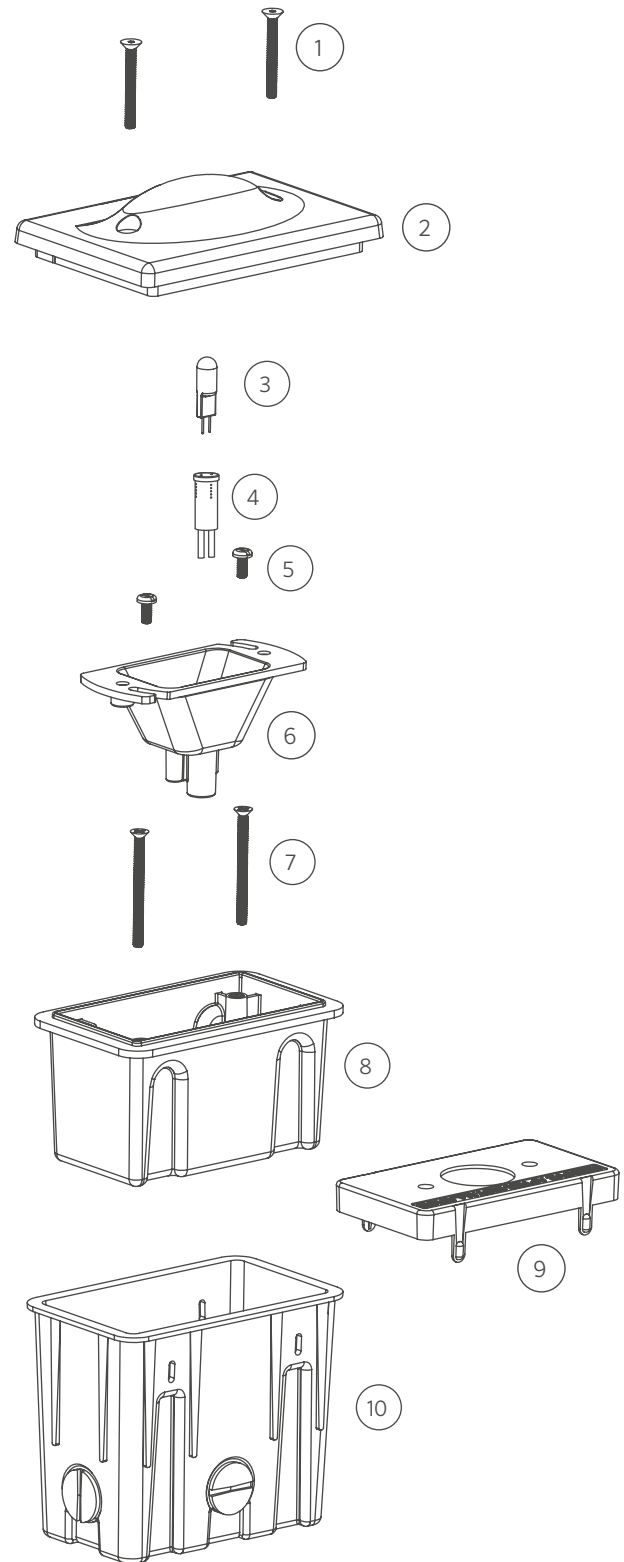
<sup>†</sup> Kits do not include LM/PD colored filters; must order separately



UN

ITEM	DESCRIPTION	CATALOG #
1	Screw, #8-32 x 1½"	250021670000
2	Faceplate, Lens, and Gasket	-
3	Lamp, Xenon	250010260001
4	Socket, G4	754601
5	Screw, #8-32 x ¾"	250013070000
6	Reflector	250015750000
7	Screw, #8-32 x 2"	250013080000
8	Inner Box	-
9	Sleeve Protector	-
10	Outer Sleeve	-
9-10	Sleeve and Protector Assembly	250022040000
4-8	Box Assembly	CPBA
1-2	Faceplate Assembly	UNFPXX*
	Hex Key, ¾" Long Arm	250013120000

\*XX = Finish code for faceplate



UN LED

ITEM	DESCRIPTION	CATALOG #
1	Screw, #8-32 x 1½"	250021670000
2	Faceplate, Lens, and Gasket	-
3	Screw	250013070000
4	Color Filter	See LED Chart
5	Screw	762400
6	LED Board	See LED Chart
7	Socket, 3-meter	752601
8	Reflector	250015750000
9	Screw, #8-32 x 2"	250013080000
10	Inner Box	-
11-12	Sleeve and Protector Assembly	250022040000
11	Sleeve Protector	-
12	Outer Sleeve	-
3-10	LED Retrofit Kit	CPLEDRETRO
1-2	Faceplate Assembly	UNFPXX*
	Hex Key, ⅜" Long Arm	250013120000

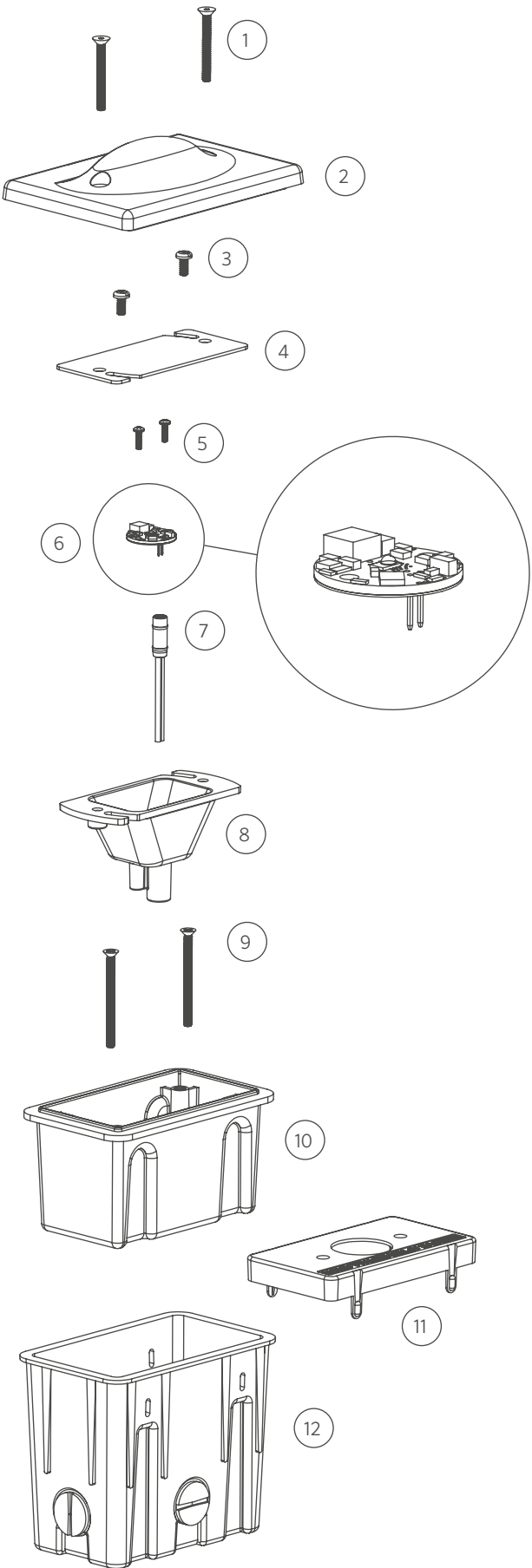
\*XX = Finish code for faceplate

UN LED COMPONENTS

ITEM	DESCRIPTION	CATALOG #
4	Color Filter, Amber	250015770000
4	Color Filter, Blue	250015770001
4	Color Filter, Green	250015770002
6	1LED Board	1LEDULKIT <sup>‡</sup>

<sup>‡</sup> ZD = Zoneable and dimmable (add ZD to front of part number)

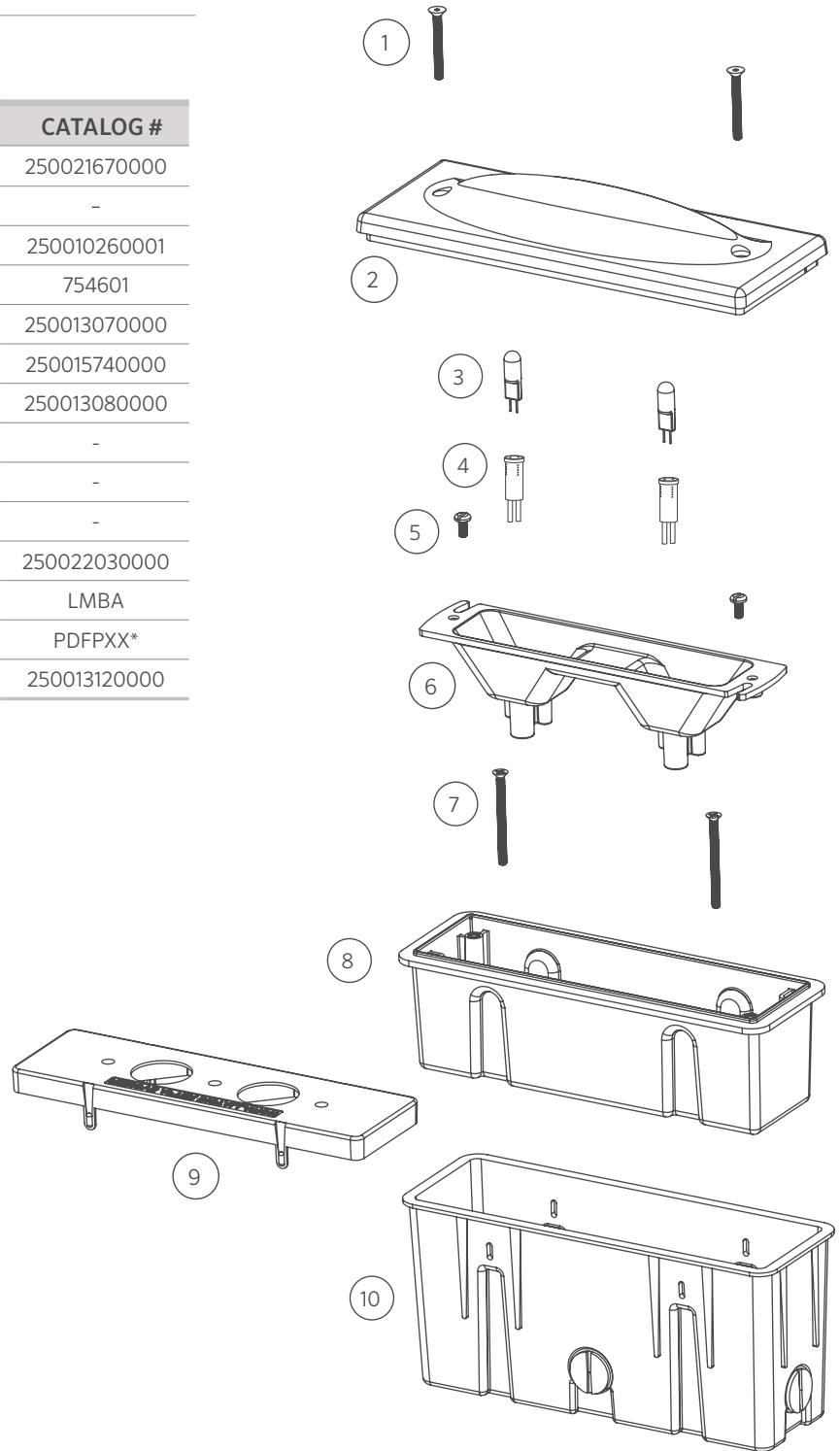
<sup>†</sup> Kits do not include UN/CP colored filters; must order separately



PD

ITEM	DESCRIPTION	CATALOG #
1	Screw, #8-32 x 1½"	250021670000
2	Faceplate, Lens, and Gasket	-
3	Lamp, Xenon	250010260001
4	Socket, G4	754601
5	Screw, #8-32 x ¾"	250013070000
6	Reflector	250015740000
7	Screw, #8-32 x 2"	250013080000
8	Inner Box	-
9	Sleeve Protector	-
10	Outer Sleeve	-
9-10	Sleeve and Protector Assembly	250022030000
4-8	Box Assembly	LMBA
1-2	Faceplate Assembly	PDFPXX*
	Hex Key, ¾" Long Arm	250013120000

\*XX = Finish code for faceplate



PD LED

ITEM	DESCRIPTION	CATALOG #
1	Screw, #8-32 x 1½"	250021670000
2	Faceplate	-
3	Screw, #8-32 x ¾"	250013070000
4	Color Filter	See LED Chart
5	Screw, #4-40 x ¾"	762400
6	LED Board	See LED Chart
7	Socket	752601
8	Reflector	250015750000
9	Screw, #8-32 x 2"	250013080000
10	Inner Box	250013380000
11	Sleeve Protector	-
12	Outer Sleeve	-
11-12	Sleeve and Protector Assembly	250022030000
3-10	LED Retrofit Kit	LMLEDRETRO
1-2	Faceplate Assembly	PDFPXX*
	Hex Key, ⅜" Long Arm	250013120000

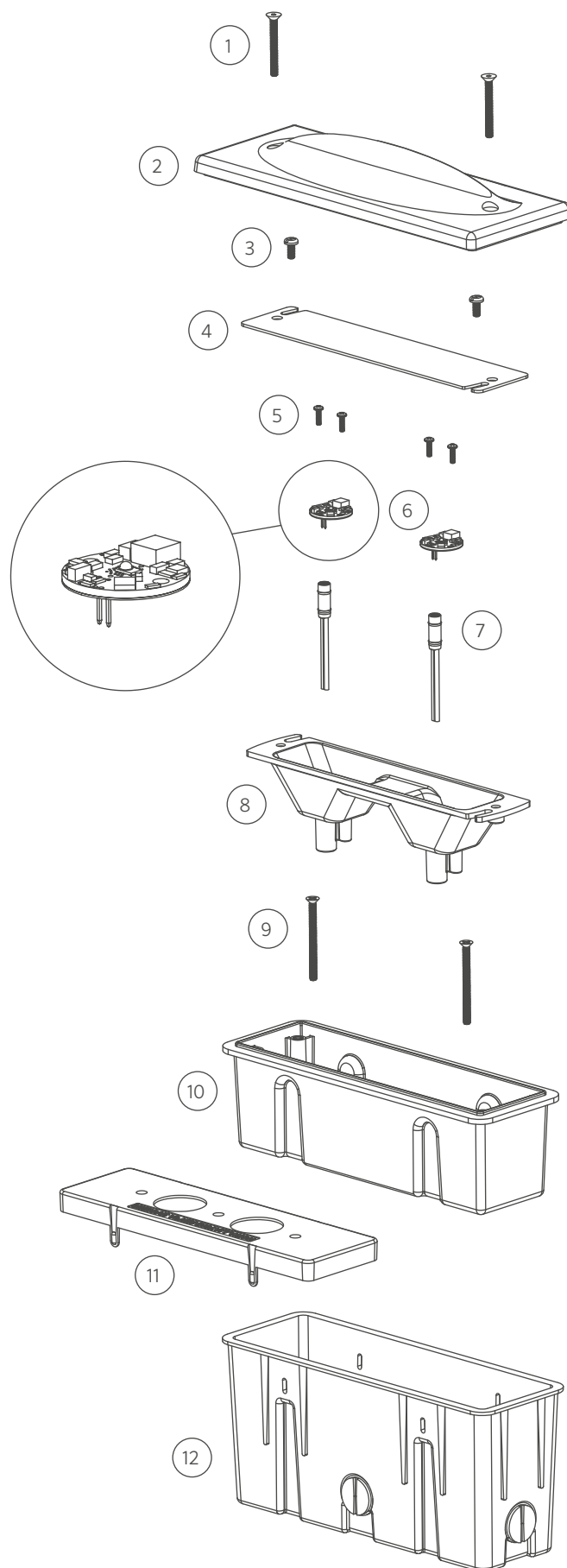
\*XX = Finish code for faceplate

PD LED COMPONENTS

ITEM	DESCRIPTION	CATALOG #
4	Color Filter, Amber	250015760000
4	Color Filter, Blue	250015760001
4	Color Filter, Green	250015760002
6	1LED Board	1LEDULKIT <sup>‡</sup>

<sup>‡</sup> ZD = Zoneable and dimmable (add ZD to front of part number)

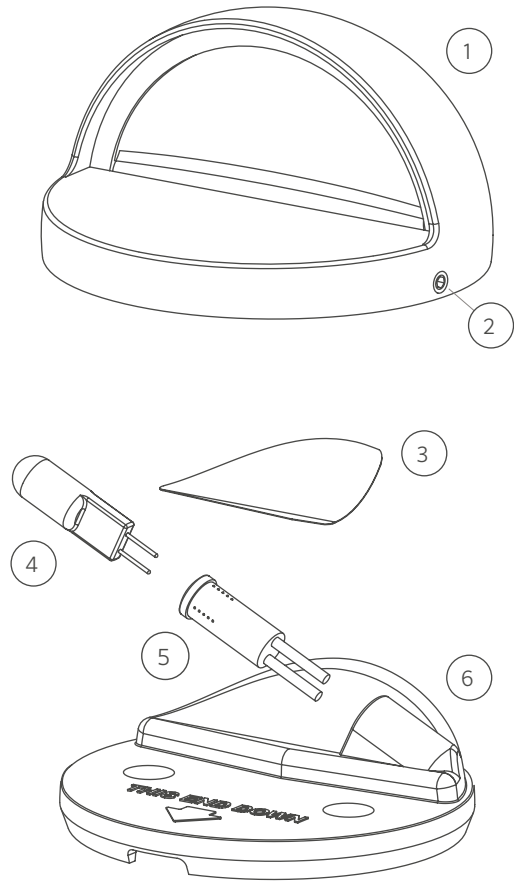
<sup>†</sup> Kits do not include PD/LM colored filters; must order separately



**MM**

ITEM	DESCRIPTION	CATALOG #
1	Faceplate, Lens, and Screws	MMFPXX*
2	Screw, #8-32 x 1/8"	250010320000
3	Reflector	-
4	Lamp, Xenon	250010260001
5	Socket, G4	250010730000
6	Housing	-
	Hex Key, 5/64" Long Arm	250010330000

\* XX = Powder coat color code for faceplate



**MS LED**

ITEM	DESCRIPTION	CATALOG #
1	Faceplate and Screws	MSFPXX*
2	Screw, #8-32 x 1/8"	250010320000
3	Housing	-
4	Socket, 3-meter	752601
5	LED Board	See LED Chart
6	Screw, #4-40 x 3/8"	762400
7	Gasket	250015520000
8	Color Filter - Frosted/Amber	See LED Chart
9	Screw, #6-32 x 3/8"	250014810000
	Hex Key, 5/64" Long Arm	250010330000

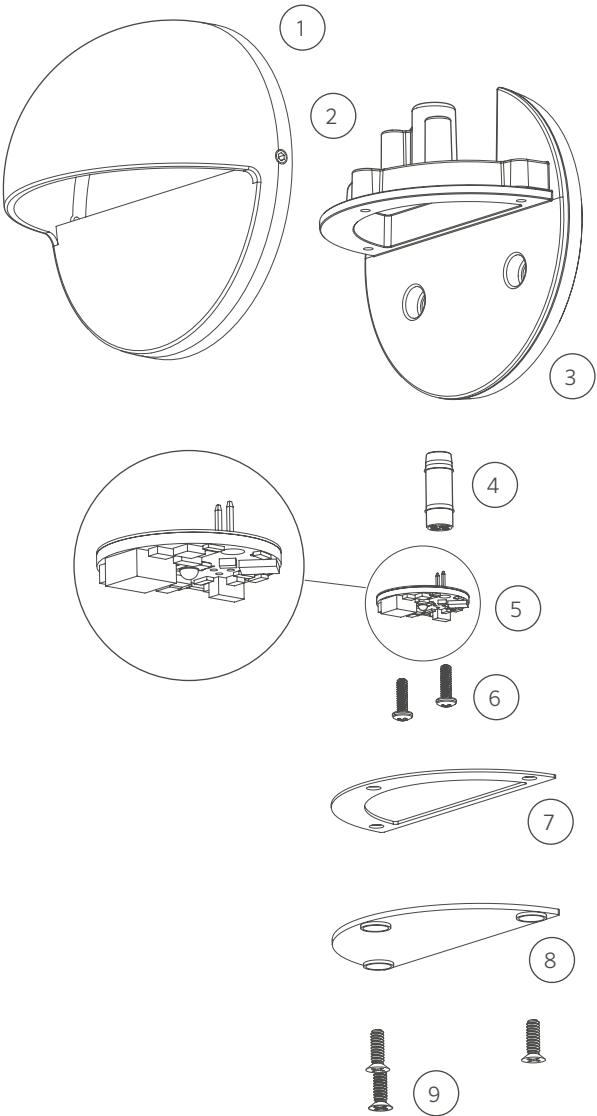
\*XX = Powder coat color code for faceplate

**MS LED COMPONENTS**

ITEM	DESCRIPTION	CATALOG #
5	1LED Board	1LEDULKIT <sup>†‡</sup>
8	Color Filter, Frosted	250015530000
8	Color Filter, Amber	250015530001

<sup>‡</sup> ZD = Zoneable and dimmable (add ZD to front of part number)

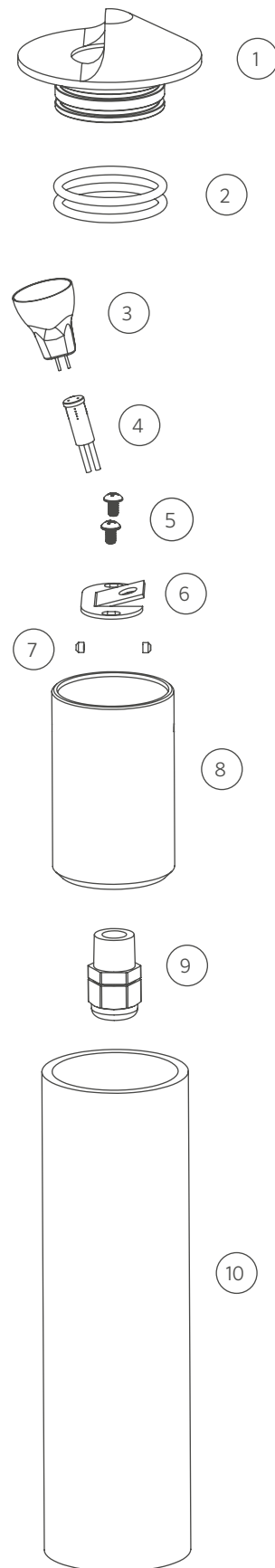
<sup>†</sup> Kits do not include MS colored filters; must order separately



**CG**

ITEM	DESCRIPTION	CATALOG #
1	Faceplate and Lens	-
2	O-Ring	250010280000
3	Lamp	250010490000
4	Socket, G4	250010730000
5	Screw, #8-32 x 1/4"	250013660000
6	Bracket	250013630000
7	Screw, #8-32 x 1/8"	250010320000
8	Brass Body	-
9	Cord Grip	250010320000
10	2" PVC Conduit, Schedule 40	250013670000
1-2	Faceplate Assembly	CGFPXX*
	Hex Key, 5/64" Long Arm	250010330000

\*XX = Finish code for faceplate

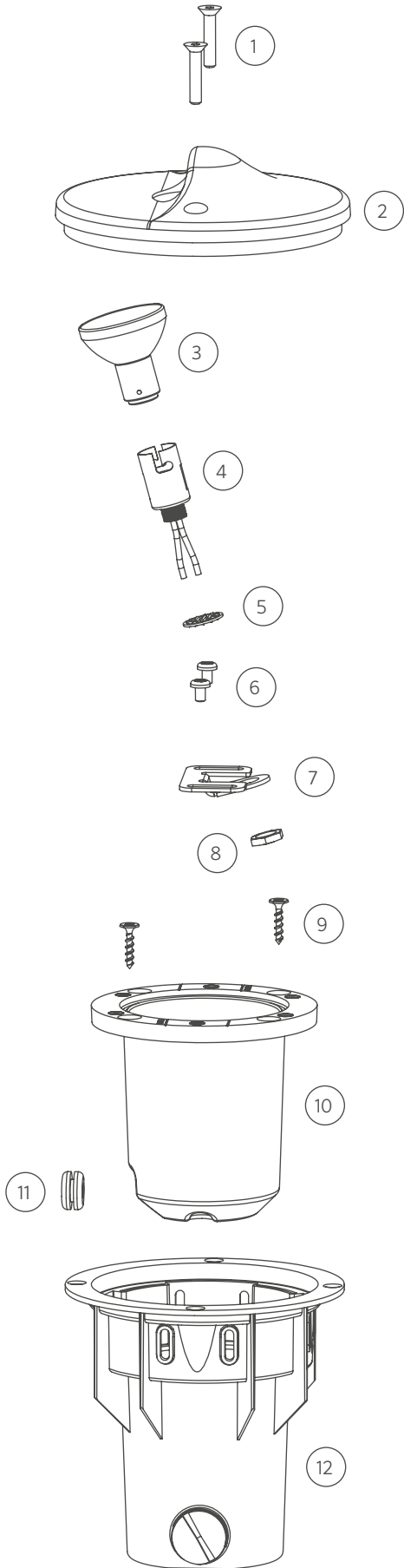




ML

ITEM	DESCRIPTION	CATALOG #
1	Screw, #10-24 x 1"	250013560000
2	Faceplate, Lens, and Gasket	-
3	Lamp, MR-11	250010240000
4	Socket Assembly	250012890000
5	Washer	250013590000
6	Screw, #8-32 x 1/4"	250011710000
7	Bracket	250013530000
8	Brass Nut	250012970000
9	Screw, #6-18 x 1 1/2"	250013060000
10	Inner Sleeve	250013510000
11	Grommet	250013570000
12	Outer Housing	250013520000
1-2	Faceplate Assembly	MLFPXX*
	Hex Key, 1/8" Short Arm	250013580000

\*XX = Powder coat color code for faceplate



**PO LED**

ITEM	DESCRIPTION	CATALOG #
1	Faceplate, Round (RO)	-
2	Faceplate, Spot (ST)	-
3	Frosted Lens	-
4	Faceplate, Square (SQ)	-
5	Faceplate, Wash (WW)	-
6	Reflector	-
7	Lens, Wall Wash Only	-
8	Sleeve	250018590000
9	Body	-
10	O-Ring	250010280005
11	Socket, 3-meter	-
12	LED Board	See LED Chart
13	Screw, #4-40 x 3/8"	762400
14	Color Filter	See LED Chart
15	O-Ring	250010280016
1, 3, 15	Round Faceplate Assembly	PORDFPXX*
2-3, 15	Spot Faceplate Assembly	POSTFPXX*
3-4, 15	Square Faceplate Assembly	POSQFPXX*
5-7, 15	Wall Wash Faceplate Assembly	POWWFPXX*

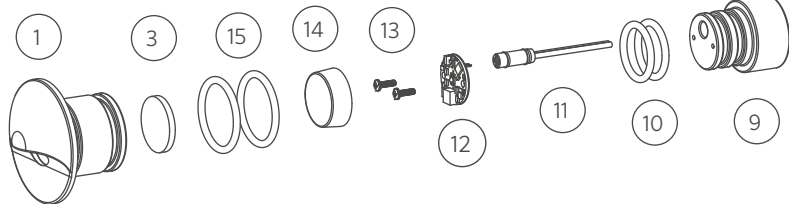
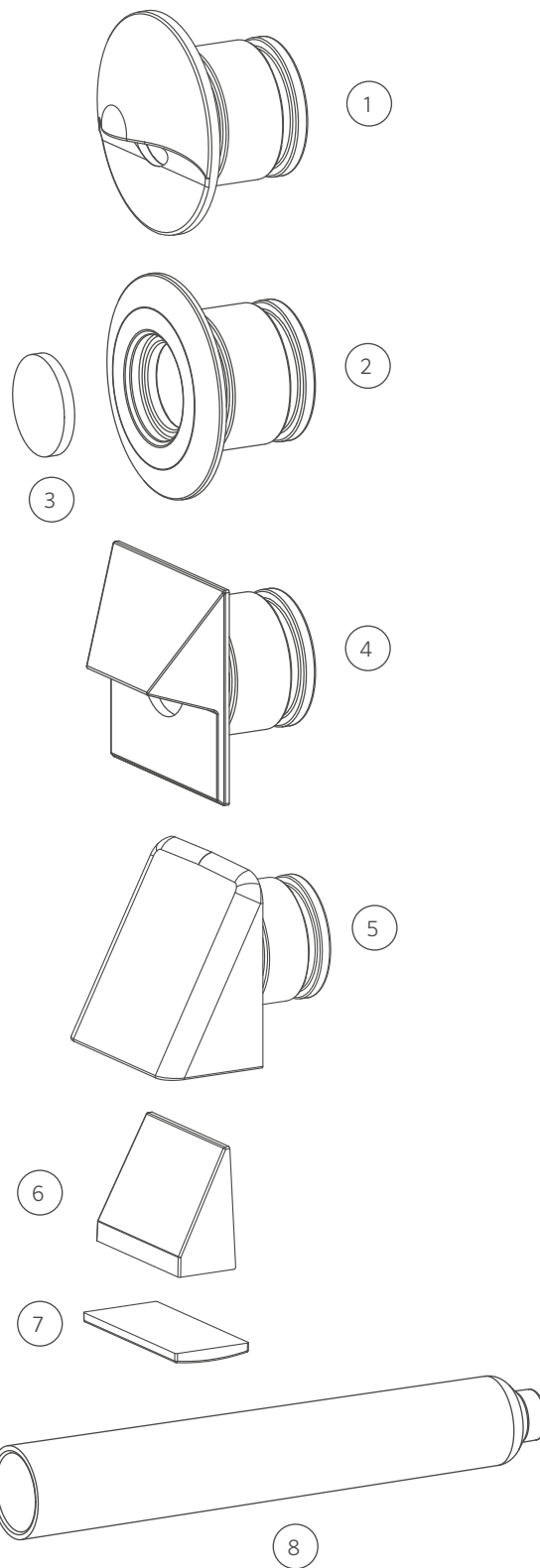
\* XX = Finish color code for faceplate

**PO LED COMPONENTS**

ITEM	DESCRIPTION	CATALOG #
12	1LED Board	1LEDULKIT††
14	Color Filter, Amber	250015900000
14	Color Filter, Blue	250015900001
14	Color Filter, Green	250015900002

‡ ZD = Zoneable and dimmable (add ZD to front of part number)

† Kits do not include PO colored filters; must order separately



**MO LED**

ITEM	DESCRIPTION	CATALOG #
1	Faceplate, Round (RO)	-
2	Faceplate, Spot (ST)	-
3	Frosted Lens	-
4	Faceplate, Square (SQ)	-
5	Faceplate, Wash (WW)	-
6	Reflector	-
7	Lens, Wall Wash Only	-
8	Sleeve, MO	250020600000
9	Body	-
10	O-Ring	250010280016
11	Socket, 3-meter	-
12	LED Board	See LED Chart
13	Screw, #4-40 x 3/8" (Qty Req: 2)	762400
14	Color Filter	See LED Chart
15	O-Ring	250010280006
1, 3, 15	Round Faceplate Assembly	MOFPRDXX*
2-3, 15	Spot Faceplate Assembly	MOFPSTXX*
3-4, 15	Square Faceplate Assembly	MOFPSQXX*
5-7, 15	Wall Wash Faceplate Assembly	MOFPWWXX*

\*XX = Finish color code for faceplate

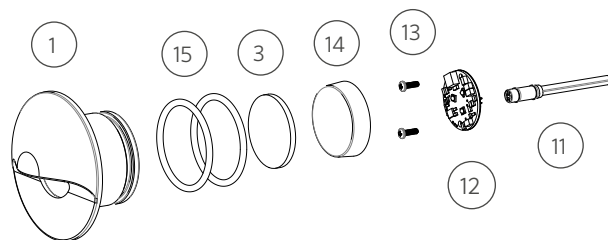
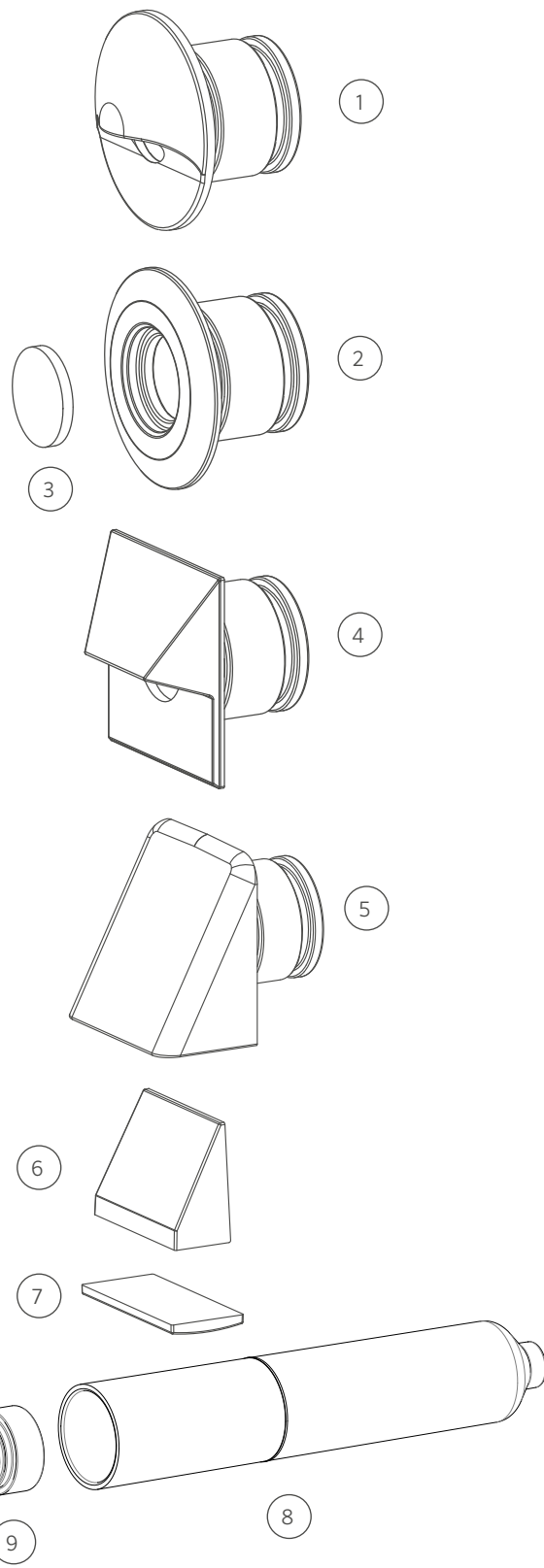
**MO LED COMPONENTS**

ITEM	DESCRIPTION	CATALOG #
12	1LED Board	1LEDULKIT* <sup>†</sup>
12	3LED Board	3LEDULKIT* <sup>†</sup>
12	ZD 3LEDT Amber LED Board	ZD3LEDTKIT
12	ZDC LED Board	ZDCKITM**
14	Color Filter, Amber	250020630000
14	Color Filter, Blue	250020630001
14	Color Filter, Green	250020630002

\* ZD = Zoneable and dimmable (add ZD to front of part number)

\*\* ZDC kit includes LED board, reflector, screws, and flood lens (3LEDFLLENS)

<sup>†</sup> Kits do not include MO colored filters; must order separately



SL

ITEM	DESCRIPTION	CATALOG #
1	Faceplate, Beveled (BV)	-
2	Faceplate, Round (RD)	-
3	Faceplate, Flat (FT)	-
4	Faceplate, Curved (CV)	-
5	Setscrew, #4-40 x 1"	250028410000
6	Gasket, Faceplate	-
7	Gasket, Lens	250028370000
8	Lens, Batwing	250028380000
9	Beam Angle Lens	See LED Chart
10	Screw, #4-40 x 3/8"	762400
11	Reflector	See LED Chart
12	LED Board	See LED Chart
13	Socket, 3-meter	-
14	Housing	-
15	Screw, #6-32 x 3/8"	250028400000
16	Screw, #6-32 x 1/2"	250028910000
17	Mounting Bracket	250028290000
1, 5-6	Faceplate Assembly, Beveled (BV)	SLFPBVXX*
2, 5-6	Faceplate Assembly, Round (RD)	SLFPRDXX*
3, 5-6	Faceplate Assembly, Flat (FT)	SLFPFTXX*
4, 5-6	Faceplate Assembly, Curved (CV)	SLFPCVXX*

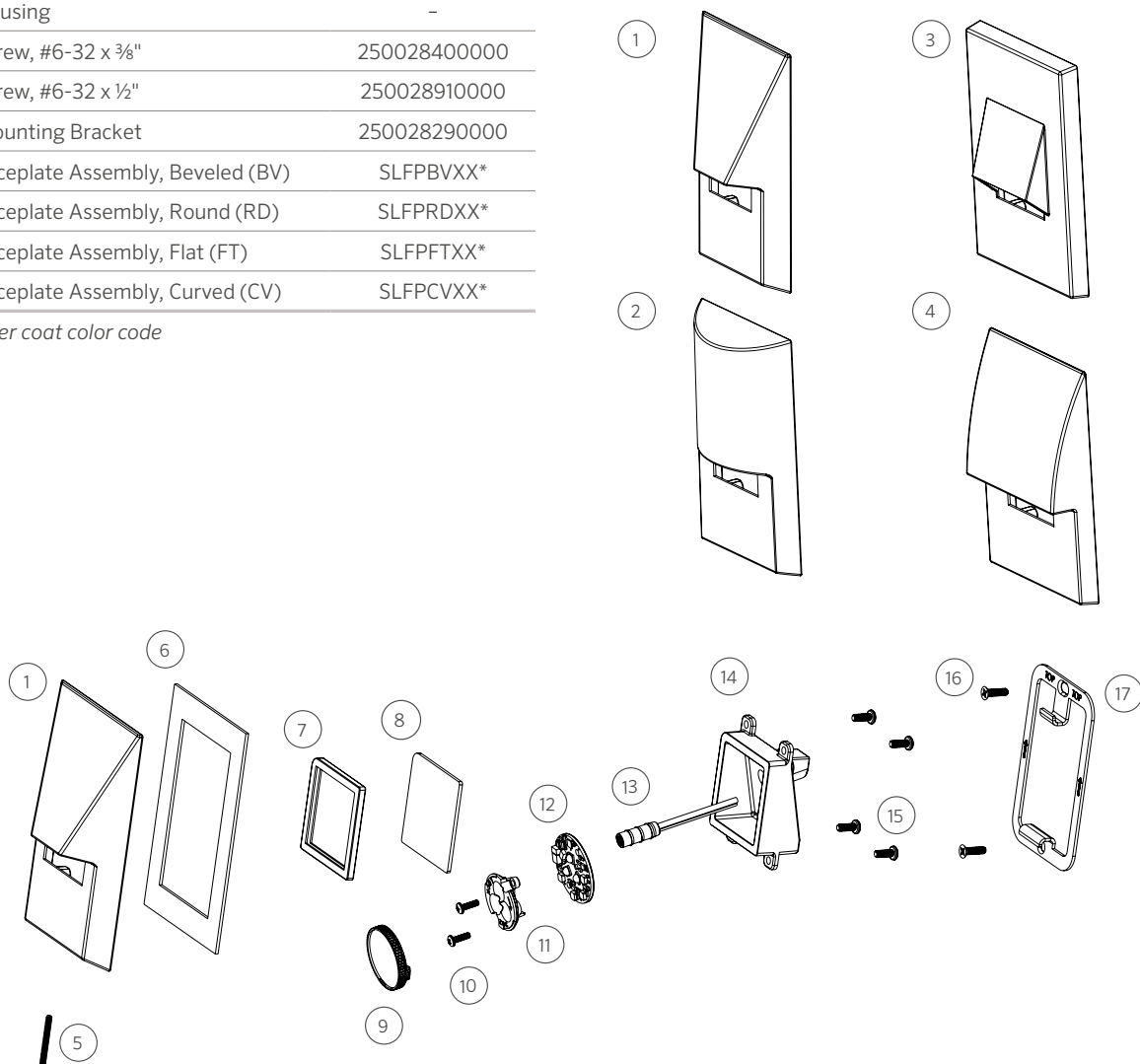
\*XX = Powder coat color code

SL LED COMPONENTS

ITEM	DESCRIPTION	CATALOG #
9	1LED Beam Angle Lens	1LEDFLENS
9	3LED Beam Angle Lens	3LEDFLENS
11	1LED Reflector	770000
11	3LED Reflector	770700
11	ZDC LED Reflector	250022050000
12	ZD 1LED Board	1LEDULKIT†
12	ZD 3LED Board	3LEDULKIT†
12	ZDC LED Board	ZDCKITM**

† ZD = Zoneable and dimmable (add ZD to front of part number)

\*\* ZDC kit includes LED board, reflector (#11), screws (#10), and flood lens diffuser (3LEDFLENS)

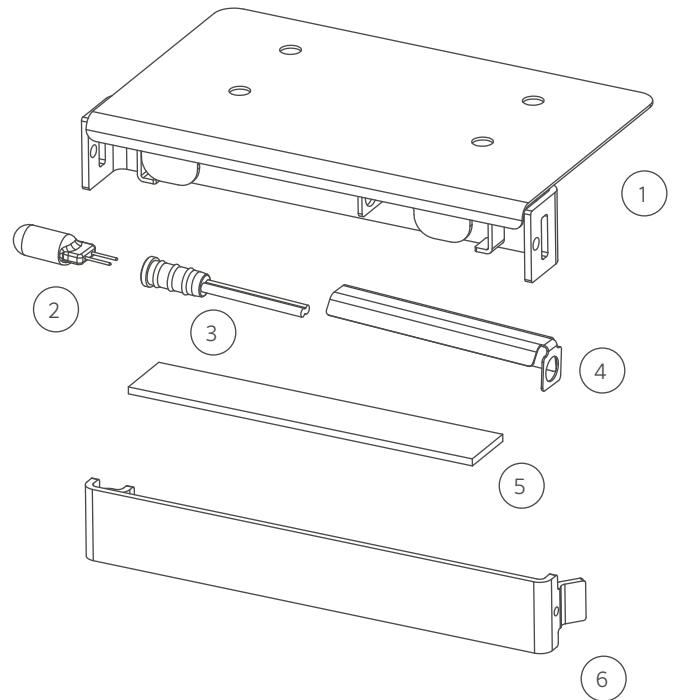


**BP**

ITEM	DESCRIPTION	CATALOG #
1	Plate/Bracket Assembly	-
2	Lamp	250010260001
3	Socket	754600
4	Reflector	754100
5	Lens, Glass	754500
6	Faceplate	See Faceplate Chart

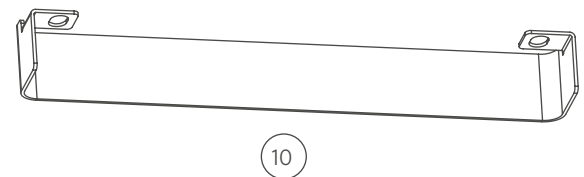
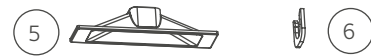
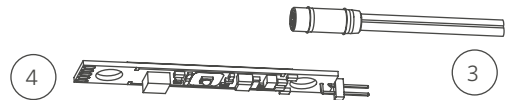
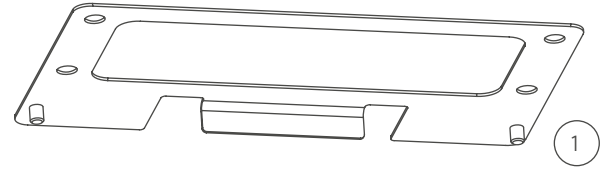
**BP FACEPLATES**

ITEM	DESCRIPTION	CATALOG #
6	Brass	754000
6	Copper	754800
6	Stainless Steel	756600
6	Bronze Metallic	756701
6	Desert Granite	756706
6	Sedona Brown	756707
6	Weathered Iron	756709
6	Black	756714
6	Flat White	756715
6	White Gloss	756716
6	Almond	756719



**LF LED**

ITEM	DESCRIPTION	CATALOG #
1	Mounting Plate	755300
2	Housing	-
3	Socket, 3-meter	752601
4	LED Board - Standard/ZD/ZDC	755904/755901/ ZDCKITR
5	Reflector	755700
6	Socket Clip	755800
7	O-Ring	250010280000
8	Lens - Frosted/Amber	755600/755601
9	Screw, #6-32 x 3/8"	250014810000
10	Faceplate	See Faceplate Chart
11	Acorn Nut	250014800000



**LF FACEPLATES**

ITEM	DESCRIPTION	CATALOG #
10	Bronze	757001
10	Desert Granite	757006
10	Sedona Brown	757007
10	Weathered Iron	757009
10	Black	757014
10	Flat White	757015
10	White Gloss	757016
10	Almond	757019
10	Silver	757021
10	Copper	756800
10	Stainless Steel	756900
10	Antique Bronze, Brass	755412
10	Antique Bronze, Copper	756812
10	Brass	755400
10	Antique Tumbled, Brass	755420
10	Antique Tumbled, Copper	756820

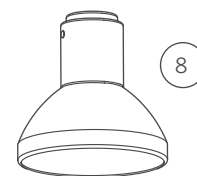
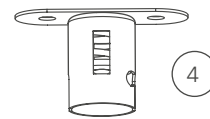
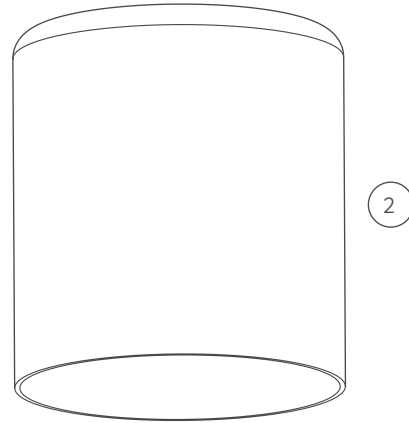
# DOWN LIGHTS

## CL

ITEM	DESCRIPTION	CATALOG #
1	Screw, #6-32 x 3/4"	250011500000
2	Copper Can	-
3	Coupling	250013920000
4	Socket	250013910000
5	Nut	250011510000
6	O-Ring	250010280019
7	Reflector	-
8	Lamp	See Lamp Chart

## LAMP Chart

DESCRIPTION	CATALOG #
Lamp, AR-11, 20W, F, 18°, 2,000 Hrs	250010240001
Lamp, AR-11, 20W, F, 32°, 2,000 Hrs	250010240002
Lamp, AR-11, 35W, 10°, 2,000 Hrs	250010240003
Lamp, AR-11, 35W, 30°, 2,000 Hrs	250010240004
Lamp, AR-20, 50W, 10°, 2,000 Hrs	250010240005
Lamp, AR-20, 50W, F, 25°, 2,000 Hrs	250010240006

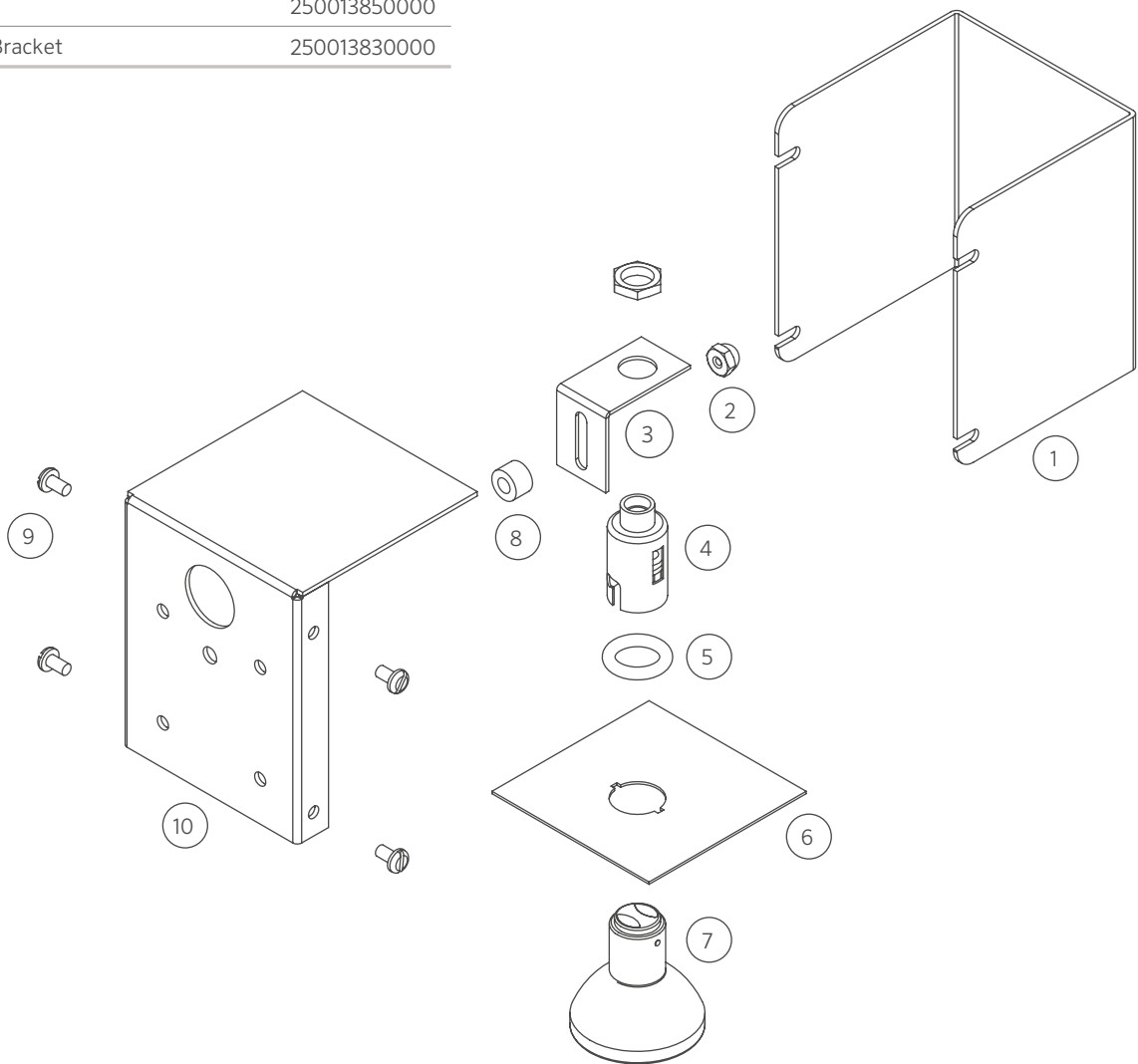


**TC**

ITEM	DESCRIPTION	CATALOG #
1	Cover	-
2	Nut	250013860000
3	Clip	250014870000
4	Socket	250012890000
5	O-Ring	250010280019
6	Copper Shroud	-
7	Lamp	See Lamp Chart
8	Aluminum Spacer	250013880000
9	Screw	250013850000
10	Copper L-Bracket	250013830000

**LAMP Chart**

DESCRIPTION	CATALOG #
Lamp, AR-11, 20W, F, 18°, 2,000 Hrs	250010260001
Lamp, AR-11, 20W, F, 32°, 2,000 Hrs	250010260002
Lamp, AR-11, 35W, 10°, 2,000 Hrs	250010260003
Lamp, AR-11, 35W, 30°, 2,000 Hrs	250010250000



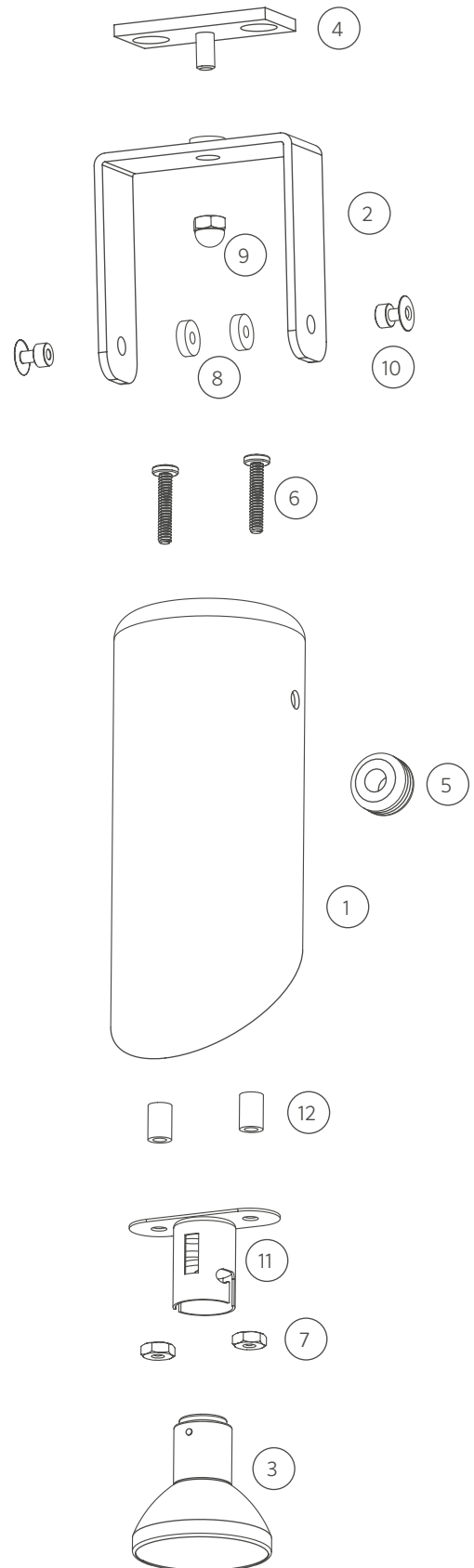


**TS**

ITEM	DESCRIPTION	CATALOG #
1	Copper Shroud	-
2	Copper Bracket	-
3	Lamp	See Lamp Chart
4	Copper Wall Bracket	-
5	Rubber Grommet	250013570000
6	Screw, #6-32 x 3/4"	250011500000
7	Nut	250011510000
8	Washer	250014080000
9	Nut	250014130000
11	Socket	250013910000
10	Coupling	250013920000

**LAMP Chart**

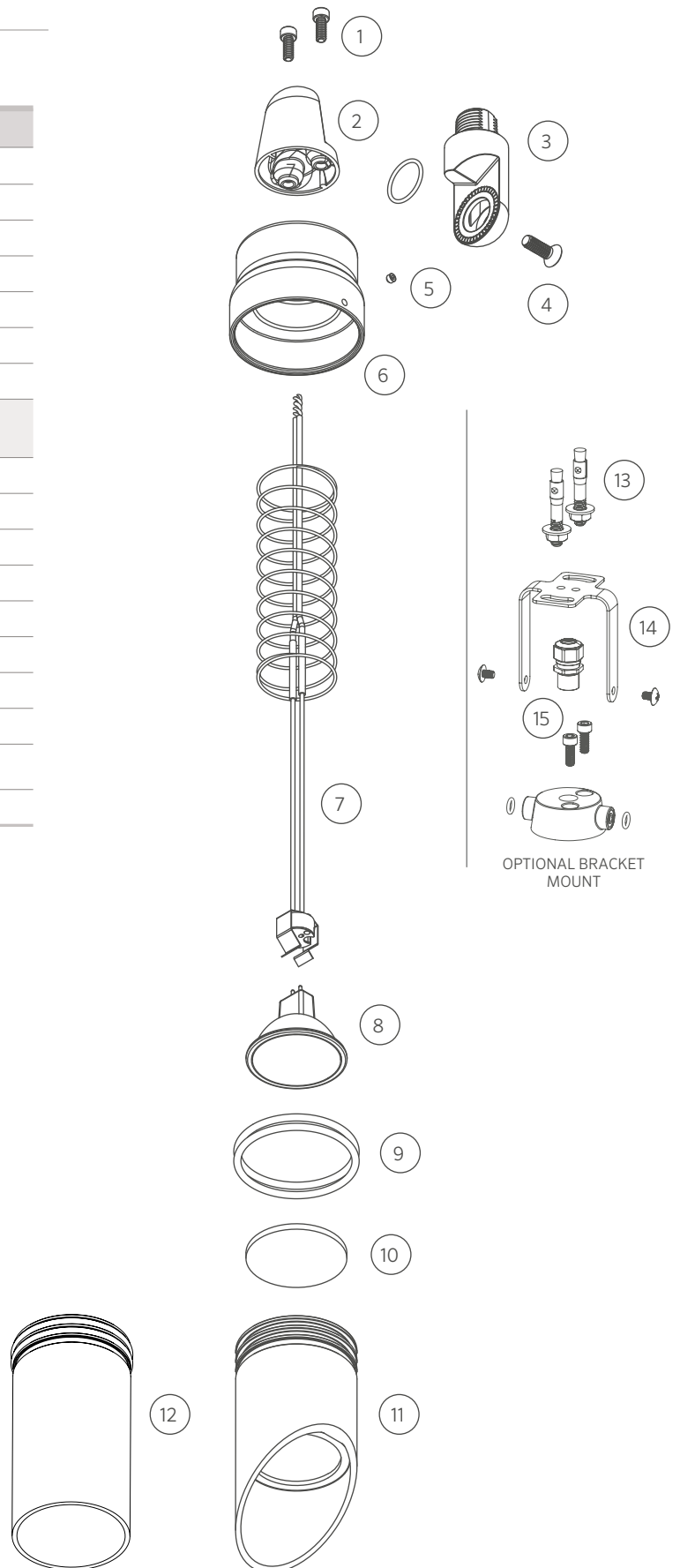
DESCRIPTION	CATALOG #
Lamp, AR-11, 20W, F, 18°, 2,000 Hrs	250010240001
Lamp, AR-11, 20W, F, 32°, 2,000 Hrs	250010240002
Lamp, AR-11, 35W, 10°, 2,000 Hrs	250010240003
Lamp, AR-11, 35W, 30°, 2,000 Hrs	250010240004
Lamp, AR-20, 50W, 10°, 2,000 Hrs	250010240005
Lamp, AR-20, 50W, F, 25°, 2,000 Hrs	250010240006



**MD**

ITEM	DESCRIPTION	CATALOG #
1	Screw, #10-24 x 3/8"	250013940000
2	Base	-
3	Knuckle Subassembly	KFM050XX*
4	Screw, 1/4"-20 x 3/4"	250010290000
5	Screw, #8-32 x 1/8"	250010320000
6	Body	-
7	Socket Assembly, MR-16	761600
8	Lamp, MR-16	See Lamp Chart, p. 137-139
9	O-Ring	250010280025
10	Clear Lens	250014720000
11	Shroud	-
12	Straight Shroud	-
13	Concrete Anchor Bolts	250026850000
14	Stainless Steel Bracket	250026820000
15	Strain Relief Connector	250026840000
5, 9-11	Lens Cap Assembly	MDLCXX*
5, 9-10, 12	Lens Cap Assembly, Straight Shroud	MDLCSXX*
	Hex Key, 5/64" Long Arm	250010330000

\* XX = Powder coat color code



## PS LED

ITEM	DESCRIPTION	CATALOG #
1	Mounting Bracket	250016650000
2	Screw, #6-18 x 1½"	250013060000
3	Screw, #6-32 x ¾"	250014810000
4	Housing Bracket	250016640000
5	Body	-
6	Screw, #8-32 x 1/8"	250010320000
7	Copper Sleeve	See sleeve Chart
8	Socket, 3-meter	-
9-12	LED Board	See LED Chart
13-15	Reflector	See LED Chart
16-17	Screws	See LED Chart
18-20	Color Filter	See LED Chart
21-23	Beam Angle Lens	See LED Chart
24	O-Ring	250010280030
25	Clear Lens	-
26	Shroud	-
6, 24-26	Lens Cap Assembly	PSLCXX*†
3, 27-29	Hanging Bracket	PSHBXX*
28	Cable Lock	250021820000
29	Cable, 3/64" Diameter, 24" Length	250021830000

\* XX = Powder coat color code for faceplate

† Replace "C" with "F" for frosted lens option

## PS LED COPPER SLEEVE

ITEM	DESCRIPTION	CATALOG #
7	Sleeve, Copper	250016680000
7	Sleeve, Copper, Antique Bronze	250016680012
7	Sleeve, Copper, Nickel Plate	250016680013
7	Sleeve, Copper, Antique Tumbled	250016680020

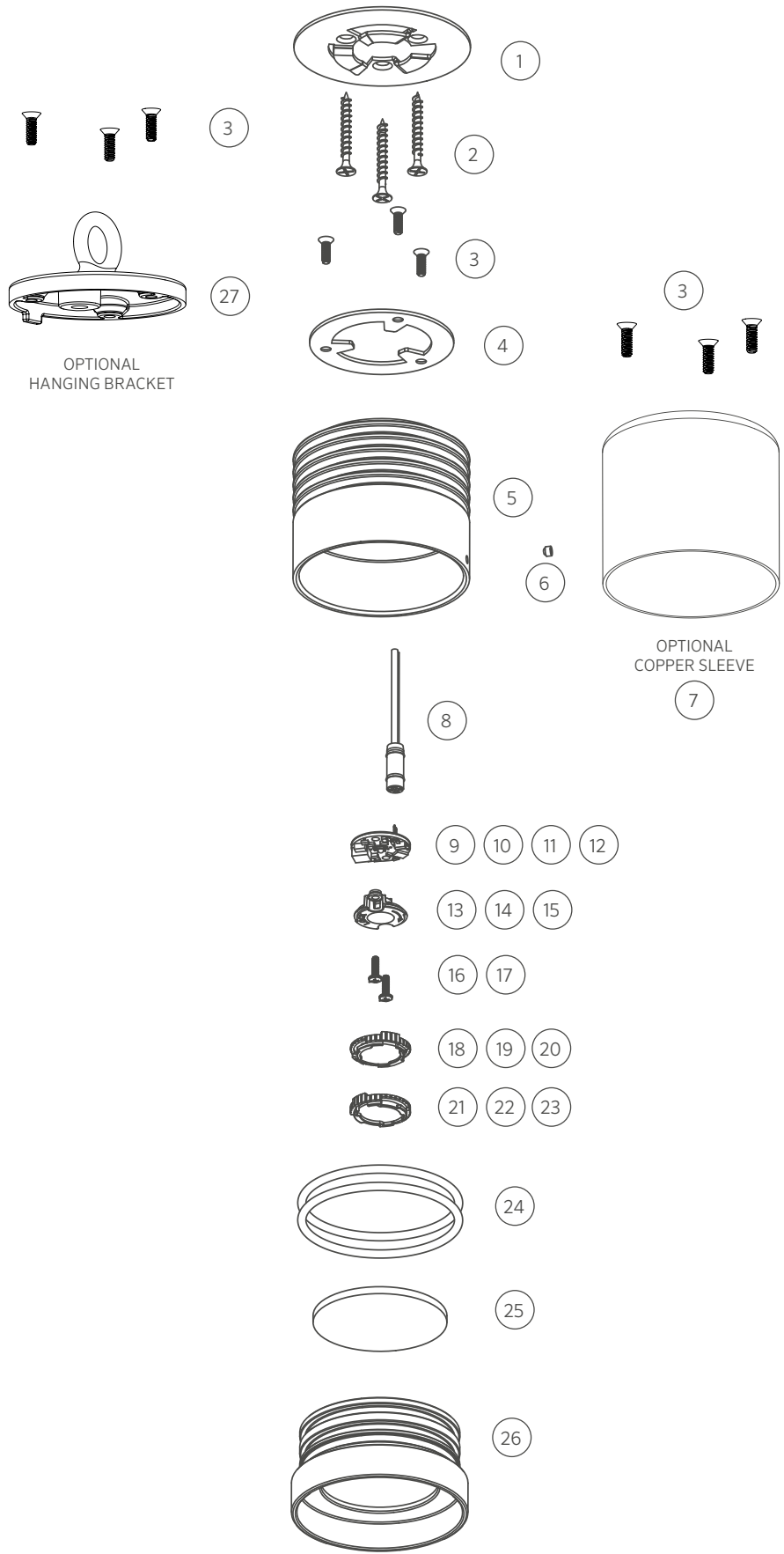
## PS LED COMPONENTS

ITEM	DESCRIPTION	CATALOG #
9	1LED Board	1LEDULKIT‡
10	3LED Board	3LEDULKIT*
11	6LED Board	6LEDULKIT‡
12	9LED Board	9LEDULKIT‡
12	ZD 3LEDT Amber LED Board	ZD3LEDTKIT
12	ZDC LED Board	ZDCKITL**
13	1LED Reflector	770000
14	3LED Reflector	770700
15	6LED/9LED Reflector	771400
15	ZDC LED Reflector	250020690000
16	1LED/3LED Screw, #4-40 x 3/8" (Qty Req: 2)	762400
17	6LED/9LED Screw, #4-40 x 7/16" (Qty Req: 3)	250014550000
18	1LED Color Filter, Amber	770100
18	1LED Color Filter, Blue	770101
18	1LED Color Filter, Green	770102
19	3LED Color Filter, Amber	770800
19	3LED Color Filter, Blue	770801
19	3LED Color Filter, Green	770802
20	6LED/9LED Color Filter, Amber	771500
20	6LED/9LED Color Filter, Blue	771501
20	6LED/9LED Color Filter, Green	771502
21	1LED Spot Lens (18°)	770600
21	1LED Flood Lens (30°-32°)	1LEDFLENS
21	1LED Wide Flood Lens (56°-58°)	1LEDWFLENS
22	3LED Spot Lens (18°)	771300
22	3LED Flood Lens (30°-32°)	3LEDFLENS
22	3LED Wide Flood Lens (56°-58°)	3LEDWFLENS
23	6LED/9LED Spot Lens (18°)	771600
23	6LED/9LED Flood Lens (30°-32°)	9LEDFLENS
23	6LED/9LED Wide Flood Lens (56°-58°)	9LEDWFLENS

‡ ZD = Zoneable and dimmable (add ZD to front of part number)

\*\* ZDC kit includes LED board, reflector (#14), screws (#17), and flood lens diffuser (9LEDWFLENS)

PS LED



## NL LED

ITEM	DESCRIPTION	CATALOG #
1	Copper Sleeve	See Sleeve Chart
2	Screw, #8-32 x ¼"	250011710000
3	Body	-
4	Mounting Bracket	250016740000
5	Screw, #6-18 x ½"	250013060000
6	Screw, #6-32 x ⅜"	250014810000
7	Housing Bracket	250016730000
8	Screw, #8-32 x ⅛"	250010320000
9	Socket, 3-meter	752601
10-13	LED Board	See LED Chart
14-16	Reflector	See LED Chart
17-18	Screws	see LED Chart
19-21	Color Filter	See LED Chart
22-24	Diffuser	See LED Chart
25	O-Ring	250010280030
26	Clear Lens	250016670000
27	Shroud	-
25-27	Lens Cap Assembly (Clear)	NLLCXX*†

\*XX = Powder coat color code

† Replace "C" with "F" for frosted lens option

## NL LED COPPER COVER

ITEM	DESCRIPTION	CATALOG #
1	Cover, Copper	250016750000
1	Cover, Copper, Antique Bronze	250016750012
1	Cover, Copper, Nickel Plate	250016750013
1	Cover, Copper, Antique Tumbled	250016750020

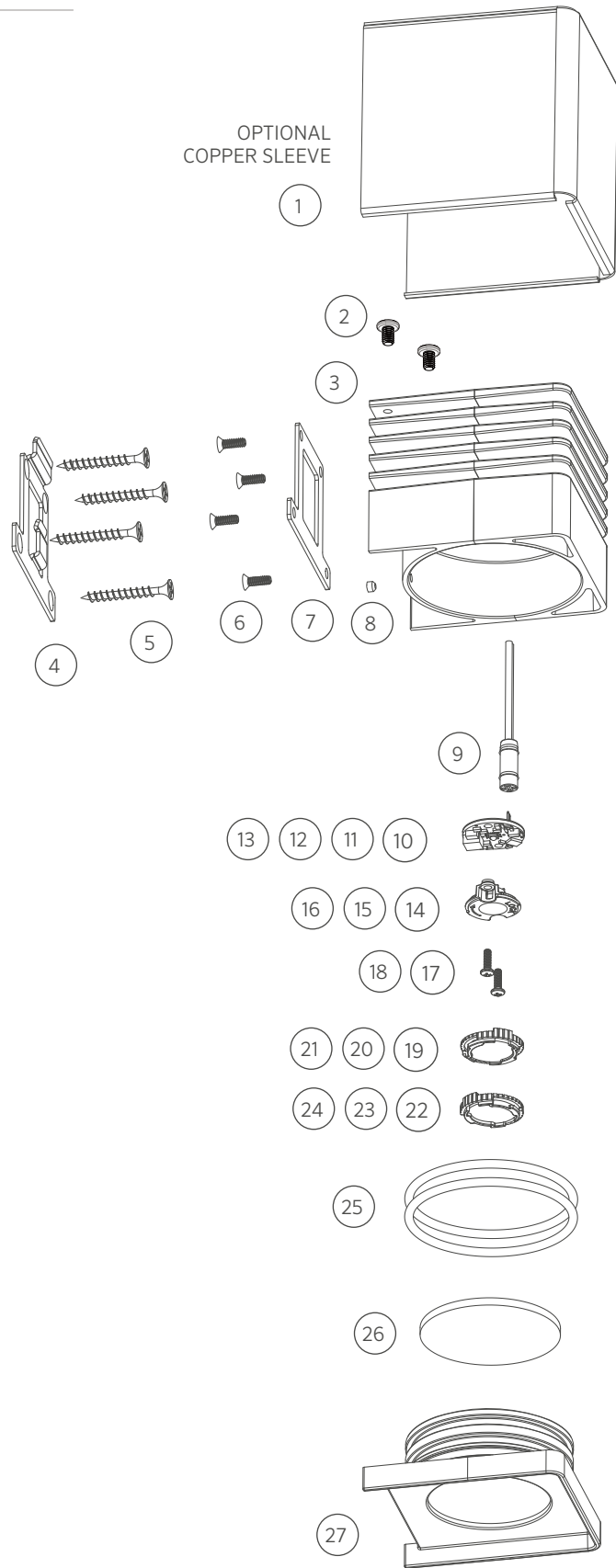
## NL LED COMPONENTS

ITEM	DESCRIPTION	CATALOG #
10	1LED Board	1LEDULKIT‡
11	3LED Board	3LEDULKIT*
12	6LED Board	6LEDULKIT‡
13	9LED Board	9LEDULKIT‡
13	ZD 3LEDT Amber LED Board	ZD3LEDTKIT
13	ZDC LED Board	ZDCKITL**
14	1LED Reflector	770000
15	3LED Reflector	770700
16	6LED/9LED Reflector	771400
16	ZDC LED Reflector	250020690000
17	1LED/3LED Screw, #4-40 x ⅜" (Qty: 2)	762400
18	6LED/9LED Screw, #4-40 x 7/16" (Qty: 3)	250014550000
19	1LED Color Filter, Amber	770100
19	1LED Color Filter, Blue	770101
19	1LED Color Filter, Green	770102
20	3LED Color Filter, Amber	770800
20	3LED Color Filter, Blue	770801
20	3LED Color Filter, Green	770802
21	6LED/9LED Color Filter, Amber	771500
21	6LED/9LED Color Filter, Blue	771501
21	6LED/9LED Color Filter, Green	771502
22	1LED Diffuser	770600
22	1LED Flood Lens (30°-32°)	1LEDFLENS
22	1LED Wide Flood Lens (56°-58°)	1LEDWFLENS
23	3LED Diffuser	771300
23	3LED Flood Lens (30°-32°)	3LEDFLENS
23	3LED Wide Flood Lens (56°-58°)	3LEDWFLENS
24	6LED/9LED Diffuser	771600
24	6LED/9LED Flood Lens (30°-32°)	9LEDFLENS
24	6LED/9LED Wide Flood Lens (56°-58°)	9LEDWFLENS

‡ ZD = Zoneable and dimmable (add ZD to front of part number)

\*\* ZDC kit includes LED board, reflector (#16), screw (#18), and flood lens diffuser (9LEDFLENS)

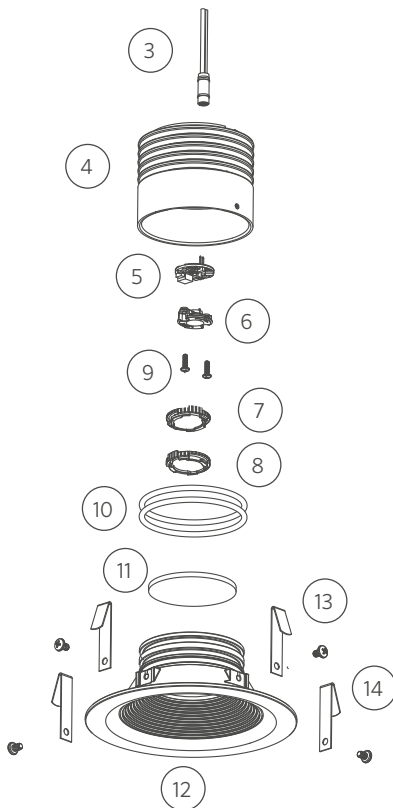
NL LED



RC

ITEM	DESCRIPTION	CATALOG #
1	4" Retrofit Can, Case of 6	CANR4RICAT
2	Power Plug, 2-Pole, 180 Series	250026190000
3	Connector	-
4	Housing	-
5	LED Board	See LED Chart
6	Reflector	See LED Chart
7	Color Filter	See LED Chart
8	Beam Angle Lens	See LED Chart
9	Screw	See LED Chart
10	O-Rings	250010280030
11	Glass Lens	-
12	Trim, RC, Baffle	-
13	Clips	250027350000
14	Screw, PNH, #8-32 x 1/4" LG, Mach, Phillips, SST, Blk Oxd	250011710000
15	Stepdown Transformer, Universal Voltage	ST-UV
10-14	Trim Assembly, Clear Lens	TRMRCXX*
10-14	Trim Assembly, Frosted (ZDC option)	TRMRCZDCXX*

\* XX = Powder coat color code for faceplate

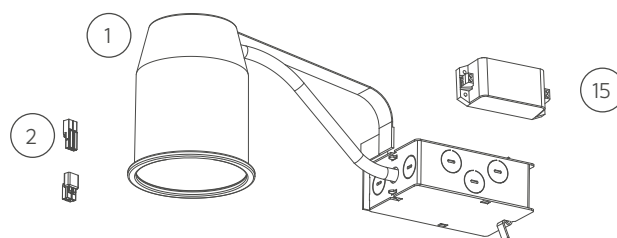


RC LED COMPONENTS

ITEM	DESCRIPTION	CATALOG #
5	1LED Board	1LEDULKIT <sup>‡</sup>
5	3LED Board	3LEDULKIT <sup>‡</sup>
5	6LED Board	6LEDULKIT <sup>‡</sup>
5	9LED Board	9LEDULKIT <sup>‡</sup>
5	ZDC LED Board	ZDCKITL <sup>**</sup>
6	1LED Reflector	770000
6	3LED Reflector	770700
6	6LED/9LED Reflector	771400
6	ZDC LED Reflector	250020690000
7	1LED Color Filter, Amber	770100
7	1LED Color Filter, Blue	770101
7	1LED Color Filter, Green	770102
7	3LED Color Filter, Amber	770800
7	3LED Color Filter, Blue	770801
7	3LED Color Filter, Green	770802
7	6LED/9LED Color Filter, Amber	771500
7	6LED/9LED Color Filter, Blue	771501
7	6/9LED Color Filter, Green	771502
8	1LED Spot Lens (18°)	770600
8	1LED Flood Lens (30°-32°)	1LEDFLENS
8	1LED Wide Flood Lens (56°-58°)	1LEDWFLENS
8	3LED Spot Lens (18°)	771300
8	3LED Flood Lens (30°-32°)	3LEDFLENS
8	3LED Wide Flood Lens (56°-58°)	3LEDWFLENS
8	6LED/9LED Spot Lens (18°)	771600
8	6LED/9LED Flood Lens (30°-32°)	9LEDFLENS
8	6LED/9LED Wide Flood Lens (56°-58°)	9LEDWFLENS
9	1LED/3LED Screw, #4-40 x 3/8" (Qty Req: 2)	762400
9	6LED/9LED Screw, #4-40 x 7/16" (Qty Req: 3)	250014550000

<sup>‡</sup> ZD = Zoneable and dimmable (add ZD to front of part number)

<sup>\*\*</sup> ZDC kit includes LED board, reflector (#14), screws (#17), and flood lens diffuser (9LEDFLENS)



DE LED

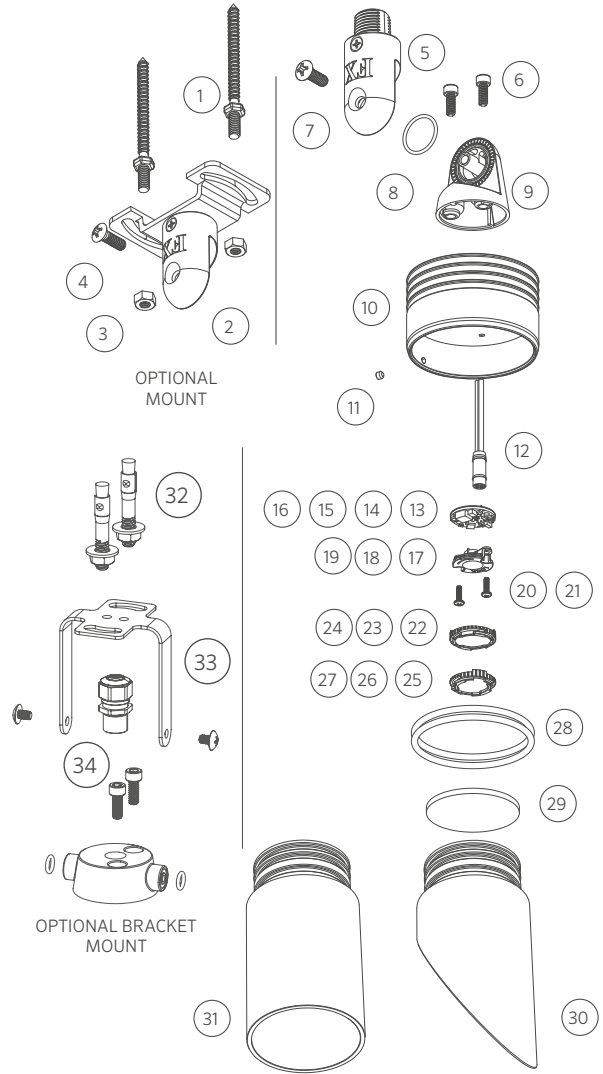
ITEM	DESCRIPTION	CATALOG #
1	Wood Screws	250015270000
2	Optional Wall Mount	-
3	Hex Nut	250015310000
4	Screw, 1/4"-20 x 3/4"	250010290000
5	Knuckle Subassembly	KFM050XX*
6	Screw, #10-24 x 3/8"	250013940000
7	Screw, 1/4"-20 x 3/4"	250010290000
8	O-Ring	250010280002
9	Base	-
10	Body	-
11	Screw, #8-32 x 1/8"	250010320000
12	Socket, 8-meter	-
13-16	LED Board	See LED Chart
17-19	Reflector	See LED Chart
20-21	Screw, 4-40	See LED Chart
22-24	Color Filter	See LED Chart
25-27	Diffuser	See LED Chart
28	O-Ring	250010280029
29	Lens	-
30	Shroud	-
11, 29-30	Lens Cap Assembly	DELCXX*†
11, 29, 31	Lens Cap Assembly, Straight	DELCSSXX*†
32	Concrete Anchor Bolts	250026850000
33	Stainless Steel Bracket	250026820000
34	Strain Relief Connector	250026840000
1-3	Wall Mount Kit	WMXX*
	Hex Key, 5/64" Long Arm	250010330000

\* XX = Powder coat color code

† Replace "C" with "F" for frosted lens option

DE LED COMPONENTS

ITEM	DESCRIPTION	CATALOG #
13	1LED Board	1LEDULKIT†
14	3LED Board	3LEDULKIT*
15	6LED Board	6LEDULKIT†
16	9LED Board	9LEDULKIT†
16	ZDC LED Board	ZDCKITL**
17	1LED Reflector	770000
18	3LED Reflector	770700
19	6LED/9LED Reflector	771400
16	ZDC LED Reflector	250020690000
20	1LED/3LED Screw, #4-40 x 3/8" (Qty Req: 2)	762400
21	6LED/9LED Screw, #4-40 x 7/16" (Qty Req: 3)	250014550000
22	1LED Color Filter, Amber	770100
22	1LED Color Filter, Blue	770101



ITEM	DESCRIPTION	CATALOG #
22	1LED Color Filter, Green	770102
23	3LED Color Filter, Amber	770800
23	3LED Color Filter, Blue	770801
23	3LED Color Filter, Green	770802
24	6LED/9LED Color Filter, Amber	771500
24	6LED/9LED Color Filter, Blue	771501
24	6LED/9LED Color Filter, Green	771502
25	1LED Spot Lens (18°)	770600
25	1LED Flood Lens (30°-32°)	1LEDFLENS
25	1LED Wide Flood Lens (56°-58°)	1LEDWFLENS
26	3LED Spot Lens (18°)	771300
26	3LED Flood Lens (30°-32°)	3LEDFLENS
26	3LED Wide Flood Lens (56°-58°)	3LEDWFLENS
27	6LED/9LED Spot Lens (18°)	771600
27	6LED/9LED Flood Lens (30°-32°)	9LEDFLENS
27	6LED/9LED Wide Flood Lens (56°-58°)	9LEDWFLENS

† ZD = Zoneable and dimmable (add ZD to front of part number)

\*\* ZDC kit includes LED board, reflector (#19), screws (#21), and flood lens diffuser (9LEDFLENS)



**JB LED**

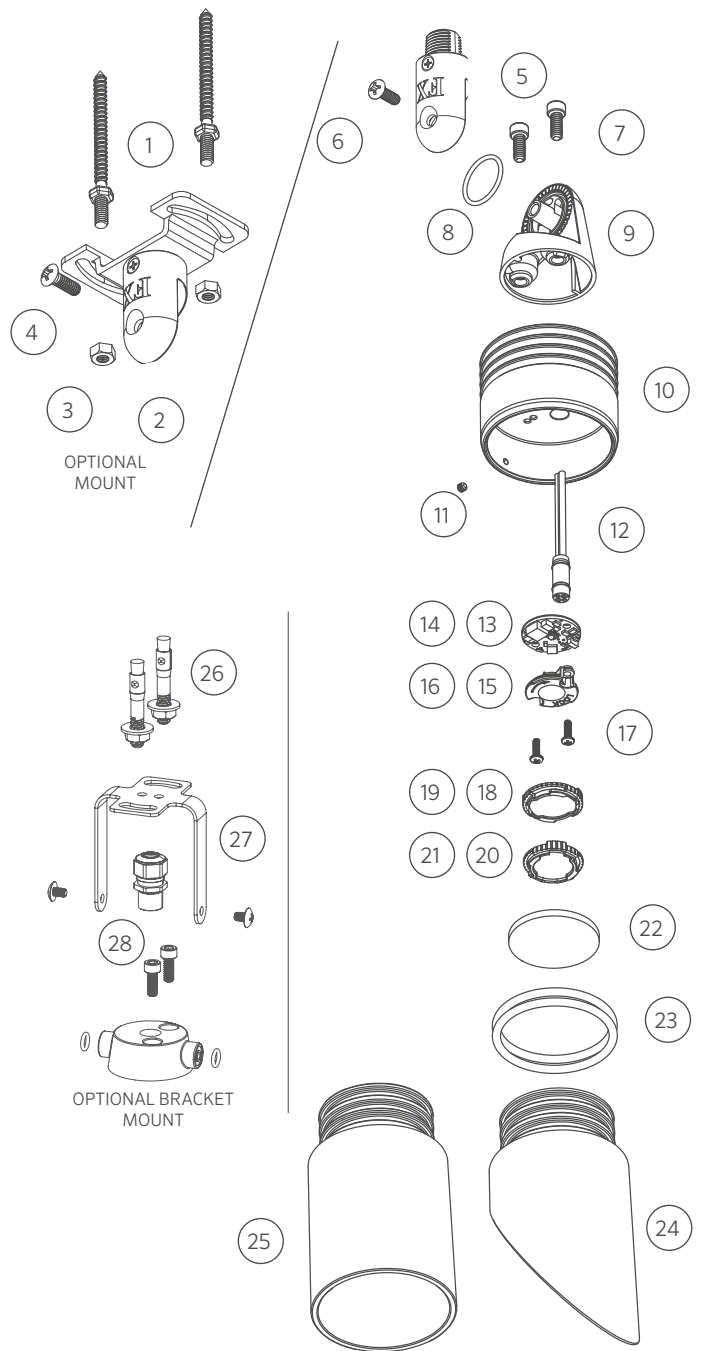
ITEM	DESCRIPTION	CATALOG #
1	Wood Screws	250015270000
2	Optional Wall Mount	-
3	Hex Nut	250015310000
4	Screw, ¼"-20 x ¾"	250010290000
5	Knuckle Subassembly	KFM050XX*
6	Screw, ¼"-20 x ¾"	250010290000
7	Screw, #10-24 x ¾"	250013940000
8	O-Ring	250010280002
9	Base	-
10	Body	-
11	Screw, #6-32 x ⅛"	250012930000
12	Socket, 8-meter	-
13-14	LED Board	See LED Chart
15-16	Reflector	See LED Chart
17	Screw	See LED Chart
18-19	Color Filter	See LED Chart
20-21	Diffuser	See LED Chart
22	Clear Lens	
23	O-Ring	250010280006
24	Shroud	-
26	Concrete Anchor Bolts	250026850000
27	Stainless Steel Bracket	250026820000
28	Strain Relief Connector	250026840000
1-3	Wall Mount Kit	WMXX*
11, 22-24	Lens Cap Assembly	JBLCXX*†
11, 22-23, 25	Lens Cap Assembly, Straight	JBLCSSXX*
	Hex Key, ⅙" Long Arm	250012950000

\* XX = Powder coat color code

† Replace "C" with "F" for frosted lens option

**JB LED COMPONENTS**

ITEM	DESCRIPTION	CATALOG #
13	1LED Board	1LEDULKIT*
14	3LED Board	3LEDULKIT*
14	ZDC LED Board	ZDCKITM**
15	1LED Reflector	770000
16	3LED Reflector	770700
16	ZDC LED Reflector	250020690000
17	1LED/3LED Screw, 4-40 x ¾" (Qty Req: 2)	762400
18	1LED Color Filter, Amber	770100
18	1LED Color Filter, Blue	770101
18	1LED Color Filter, Green	770102

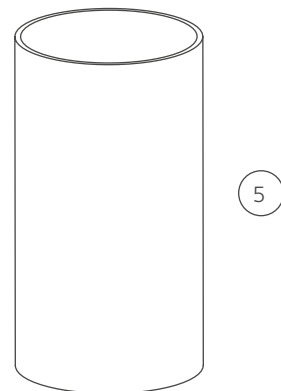
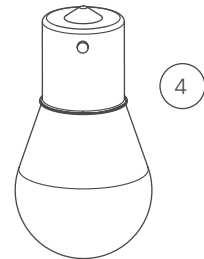
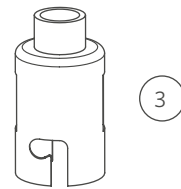
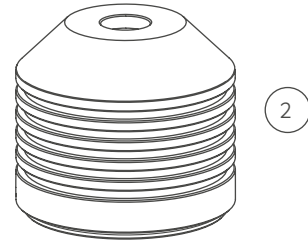
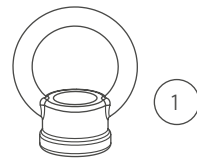


ITEM	DESCRIPTION	CATALOG #
19	3LED Color Filter, Amber	770800
19	3LED Color Filter, Blue	770801
19	3LED Color Filter, Green	770802
20	1LED Spot Lens (18°)	770600
20	1LED Flood Lens (30°-32°)	1LEDFLLENS
20	1LED Wide Flood Lens (56°-58°)	1LEDWFLLENS
21	3LED Spot Lens (18°)	771300
21	3LED Flood Lens (30°-32°)	3LEDFLLENS
21	3LED Wide Flood Lens (56°-58°)	3LEDWFLLENS

\* ZD = Zoneable and dimmable (add ZD to front of part number)

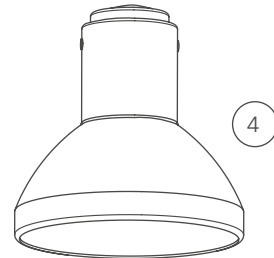
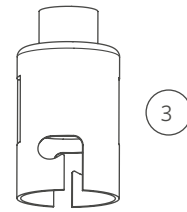
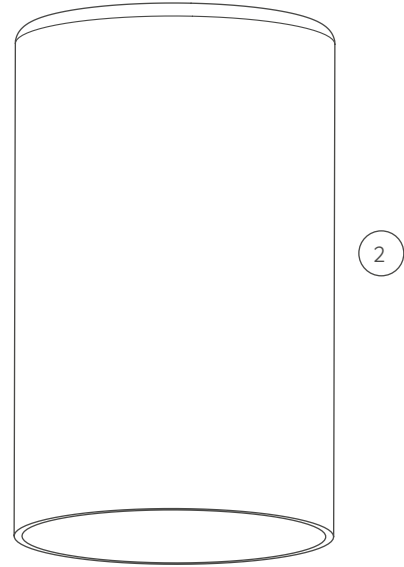
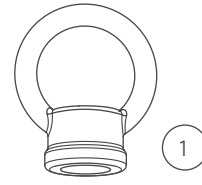
LS

ITEM	DESCRIPTION	CATALOG #
1	Brass Loop	-
2	Brass Top	-
3	Socket	250012800000
4	Lamp	250010510000
5	Copper Shroud	-
6	Screw	250011500000
	Hex Key, 5/64" Long Arm	250010330000



## VL LED

ITEM	DESCRIPTION	CATALOG #
1	Brass Loop	-
2	Copper Can	-
3	Socket	250012890000
4	Lamp	250010240000



## VE LED

ITEM	DESCRIPTION	CATALOG #
1	Body	-
2	Screw, #8-32 x 3/16"	250012760000
3	Connector, Overmolded	-
4-5	LED Board	See LED Chart
6-7	Reflector	See LED Chart
8	Screw, #4-40 x 3/8" LG	762400
9-10	Filter, Color	See LED Chart
11-12	Diffuser	See LED Chart
13	O-Ring, Silicone	250010280006
14	Lens, Frosted	-
15	Shroud	-
16	Screw, #8-32 x 1/4" LG	250011710000
17	Short Sleeves	See Chart
18	Perforated Sleeves	See Chart
2, 13-15	Lens Cap Assembly	VELCXX

\*XX = Finish code

## VE LED COMPONENTS

ITEM	DESCRIPTION	CATALOG #
4	1LED Board	1LEDULKIT <sup>†</sup>
5	3LED Board	3LEDULKIT <sup>†</sup>
6	1LED Reflector	770000
7	3LED Reflector	770700
9	1LED Color Filter: Amber	770100
	Blue	770101
	Green	770102
10	3LED Color Filter: Amber	770800
	Blue	770801
	Green	770802
11	1LED Diffuser	770600
12	3LED Diffuser	771300

<sup>†</sup> ZD = Zoneable and dimmable (add ZD to front of part number)

SHORT SLEEVES<sup>†</sup>

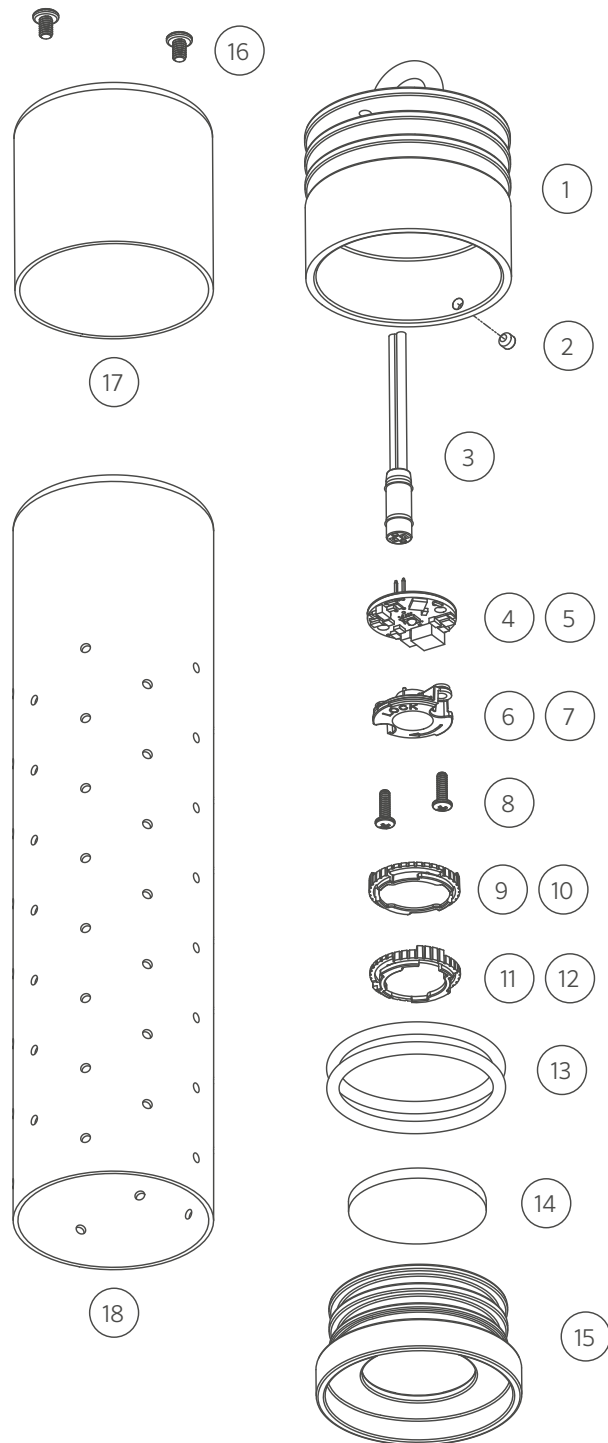
ITEM	DESCRIPTION	CATALOG #
17	Copper	250020500000
17	Antique Bronze	250020500012
17	Nickel Plate	250020500013
17	Antique Tumbled	250020500020

PERFORATED SLEEVES<sup>†</sup>

ITEM	DESCRIPTION	CATALOG #
18	Copper	250020210000
18	Bronze Metallic	250020210001
18	Desert Granite	250020210006
18	Sedona Brown	250020210007
18	Weathered Iron	250020210009
18	Antique Bronze	250020210012
18	Nickel Plate	250020210013
18	Black	250020210014
18	Flat White	250020210015
18	White Gloss	250020210016
18	Almond	250020210019
18	Antique Tumbled	250020210020
18	Silver	250020210021

<sup>†</sup> The sleeve fastening screws (#16) are not included with each sleeve part number and must be ordered separately.

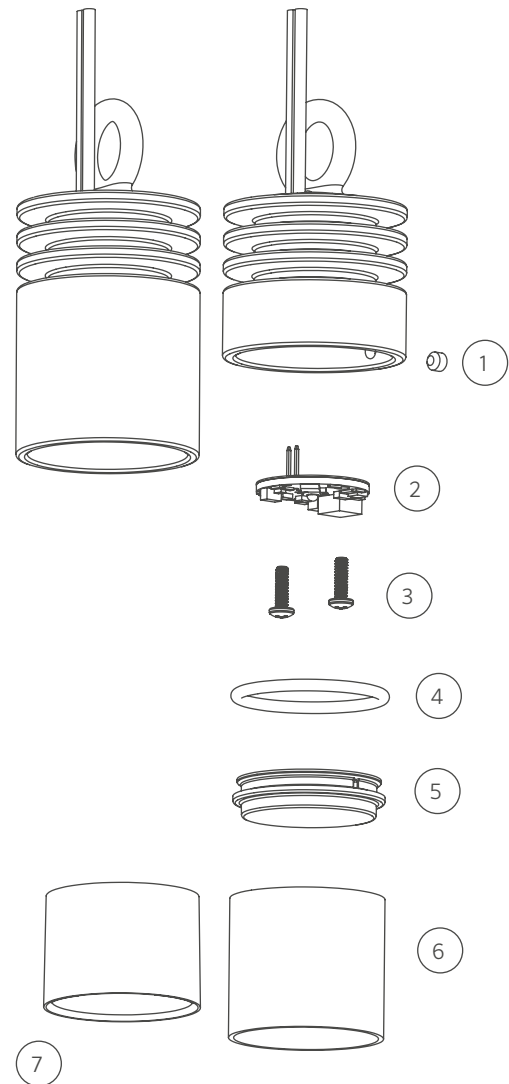
VE LED



**LE LED**

ITEM	DESCRIPTION	CATALOG #
1	Screw, #8-32 x 1/8"	250010320000
2	LED Board	1LEDULKIT <sup>‡</sup>
3	Screw, #4-40 x 3/8"	762400
4	O-Ring	250010280026
5	Lens: Amber Lens	250015650001
	Clear Lens	250015650000
	Blue Lens	250015650002
	Green Lens	250015650003
6	Copper Shroud	-
7	Reflector	250015680000
	Hex Key, 5/64" Long Arm	250010330000
	Cable, Lock	250016310000
	Cable, 3/64"	250019510000

<sup>‡</sup> ZD = Zoneable and dimmable (add ZD to front of part number)

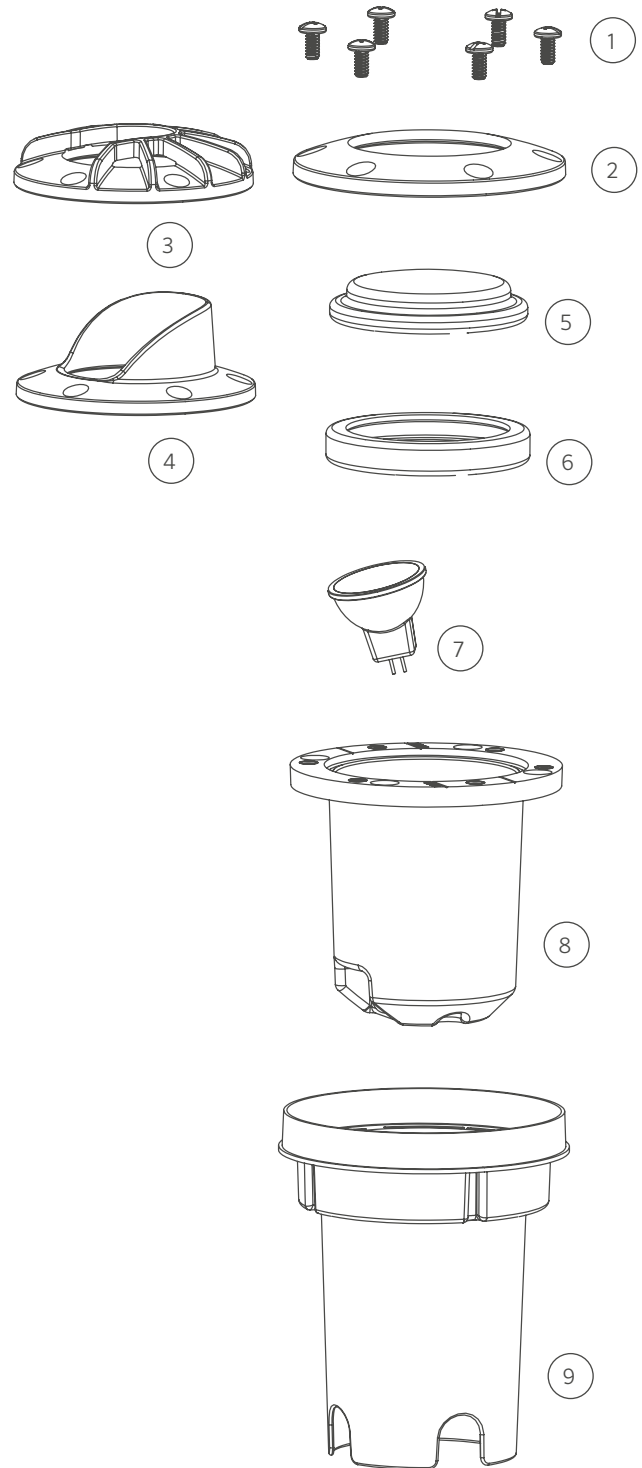


# IN-GRADE LIGHTS

## FC

ITEM	DESCRIPTION	CATALOG #
1	Screw, #10-24 x 3/8"	250015870000
Faceplate Option:		
2	Brass Ring	FCFPRGXX*
	Camo Bronze Ring	250014330000
3	Brass Louver	FCFPLVXX*
	Camo Bronze Louver	250014320000
4	Brass Cowling	FCFPCWXX*
	Camo Bronze Cowling	250014310000
5	Lens (Clear/Frosted)	250014240000 / 250014240001
6	Lens Seal	250014250000
7	Lamp, MR-16	See Lamp Chart, p.137-138
8	Inner Housing	-
9	Outer Housing	250014260000

\*XX = Finish code



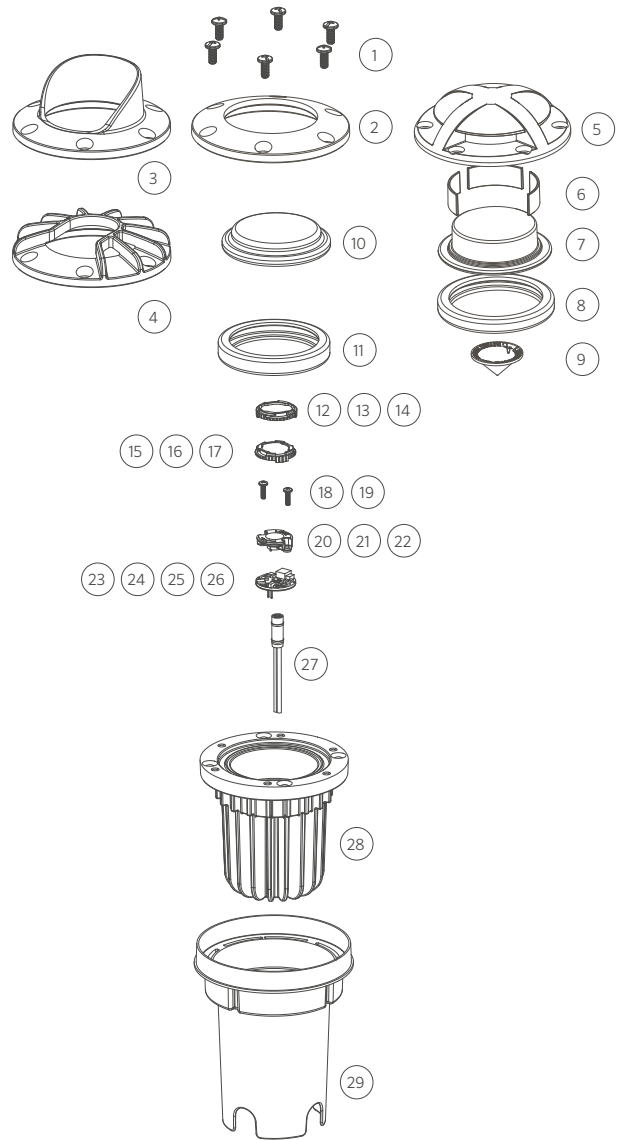
**FC LED**

ITEM	DESCRIPTION	CATALOG #
1	Screw, #10-24 x 7/16"	250019470000
Faceplate Option:		
2	Ring	FCFPRGXX*
3	Cowling	FCFPCWXX*
4	Louver	FCFPLVXX*
5	Ground Wash	FCFPGW-ZZZ-XX*
6	FC Light Shroud	250021980000
7	Ground Wash Lens	250021960000
8	Black Silicone Seal	250021970000
9	Upper Reflector	771000
10	Glass Lens (Frosted)	250014240000 (250014240001)
11	Lens Seal	250014250000
12-14	Beam Angle Lenses	See LED Chart
15-17	Color Filter	See LED Chart
18, 19	Screw, #4-40	See LED Chart
20-22	Reflector	See LED Chart
23-26	LED Board	See LED Chart
27	Socket, 3-meter	-
28	Housing	-
29	Outer Housing	250014260000

\*XX = Powder coat color code

**FC LED COMPONENTS**

ITEM	DESCRIPTION	CATALOG #
12	1LED Spot Lens (18°)	770600
12	1LED Flood Lens (30°-32°)	1LEDFLENS
12	1LED Wide Flood Lens (56°-58°)	1LEDWFLENS
13	3LED Spot Lens (18°)	771300
13	3LED Flood Lens (30°-32°)	3LEDFLENS
13	3LED Wide Flood Lens (56°-58°)	3LEDWFLENS
14	6LED/9LED Spot Lens (18°)	771600
15	1LED Color Filter, Amber	770100
15	1LED Color Filter, Blue	770101
15	1LED Color Filter, Green	770102
16	3LED Color Filter, Amber	770800
16	3LED Color Filter, Blue	770801
16	3LED Color Filter, Green	770802
17	6LED/9LED Color Filter, Amber	771500
17	6LED/9LED Color Filter, Blue	771501



ITEM	DESCRIPTION	CATALOG #
17	6LED/9LED Color Filter, Green	771502
18	1LED/3LED Screw, #4-40 x 3/8" (Qty: 2)	762400
19	6LED/9LED Screw, #4-40 x 7/16" (Qty: 3)	250014550000
20	1LED Reflector	770000
21	3LED Reflector	770700
22	6LED/9LED Reflector	771400
22	ZDC LED Reflector	250020690000
23	1LED Board	1LEDULKIT <sup>†</sup>
24	3LED Board	3LEDULKIT*
25	6LED Board	6LEDULKIT <sup>†</sup>
26	9LED Board	9LEDULKIT <sup>†</sup>
26	ZD 3LEDT Amber LED Board	ZD3LEDTKIT
26	ZDC LED Board	ZDCKITL**

<sup>†</sup> ZD = Zoneable and dimmable (add ZD to front of part number)  
<sup>\*\*</sup> ZDC kit includes LED board, reflector (#17), screws (#20), and flood lens diffuser (9LEDFLENS)

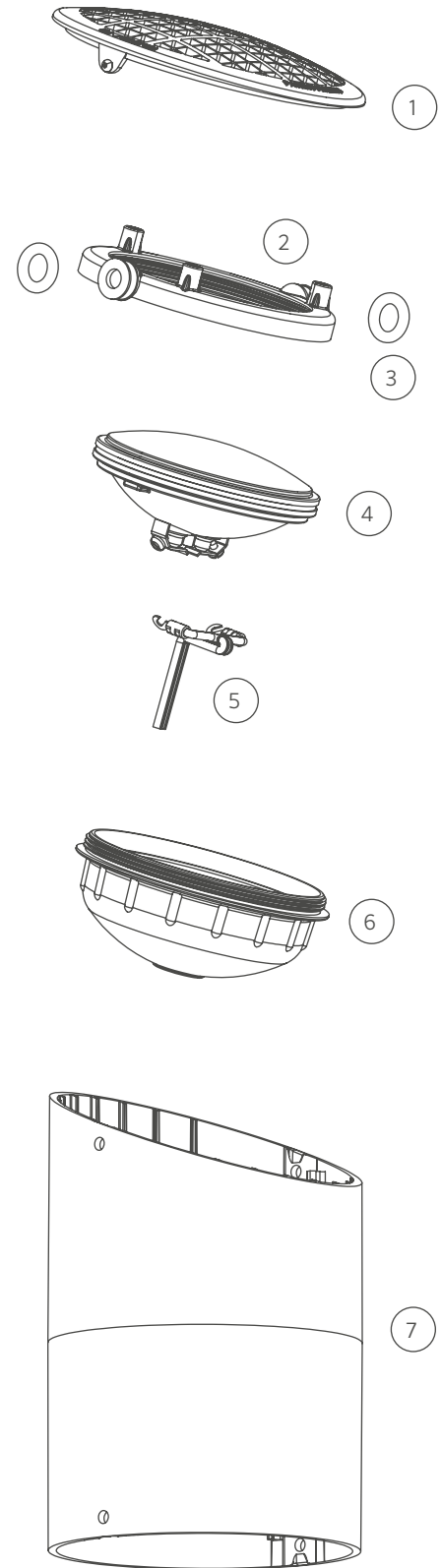


**CF**

ITEM	DESCRIPTION	CATALOG #
1	Grid Cover	
	Camo Bronze	250011640000
	Desert Tan	250011640100
2	Bezel	250011660000
3	O-Ring	250010280007
4	Lamp, PAR 36	See Lamp Chart
5	Cable	250011670000
6	Base	250011650000
7	Tube	
	Camo Bronze	250011630000
	Desert Tan	250011630100
	Blue Filter	250014880000

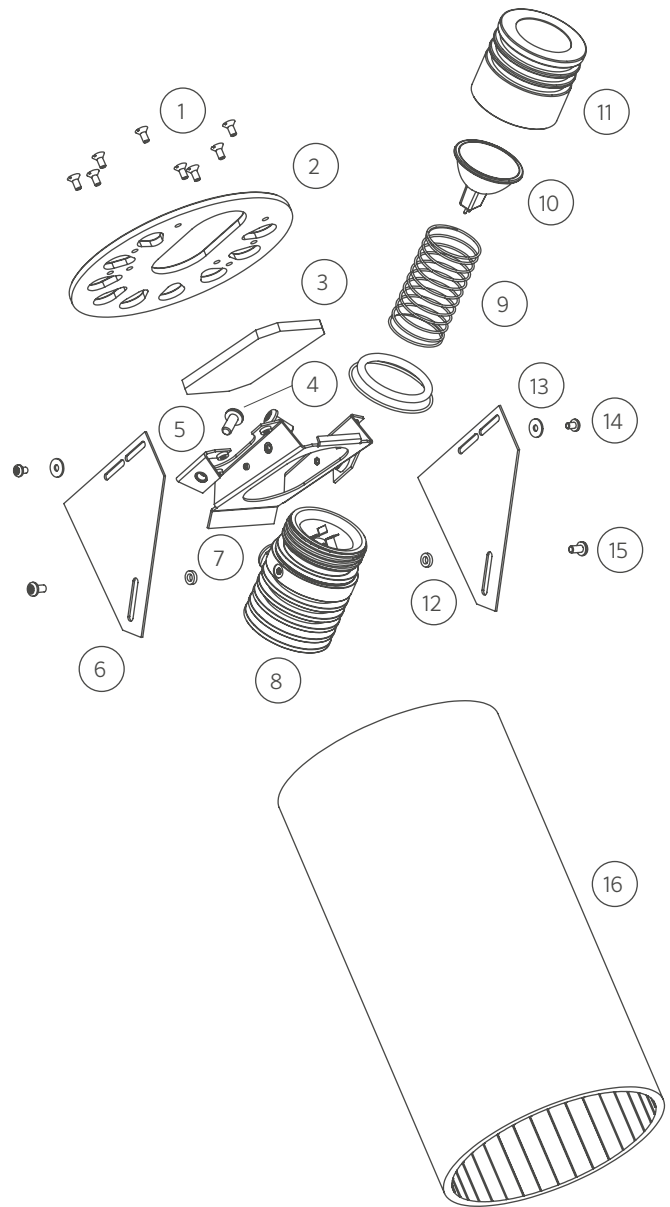
**LAMP Chart**

DESCRIPTION	CATALOG #
PAR36-20H-4K	250010500000
PAR36-35H-4K	250010500001



**TE**

ITEM	DESCRIPTION	CATALOG #
1	Screw, #8-32 x 3/8"	250011770000
2	Faceplate: Brass	250010150000
	Faceplate: Nickel Plate	250010150013
3	Lens	-
4	Screw, #8-32 x 1/4"	250011710017
5	Clip	250013970017
6	Bracket	250013960017
7	Lens Holder	-
8	Base	-
9	Spring	-
10	Lamp, Halogen, MR-16	See Lamp Chart, p. 137-139
11	Shroud	-
12	Washer	250014210000
13	O-Ring	250010280020
14	Screw, #8-32 x 1/4"	250011710000
15	Screw, #10-32 x 3/8"	250011750017
16	Tube	250011630000
3, 7	TE Lens Assembly	TELA

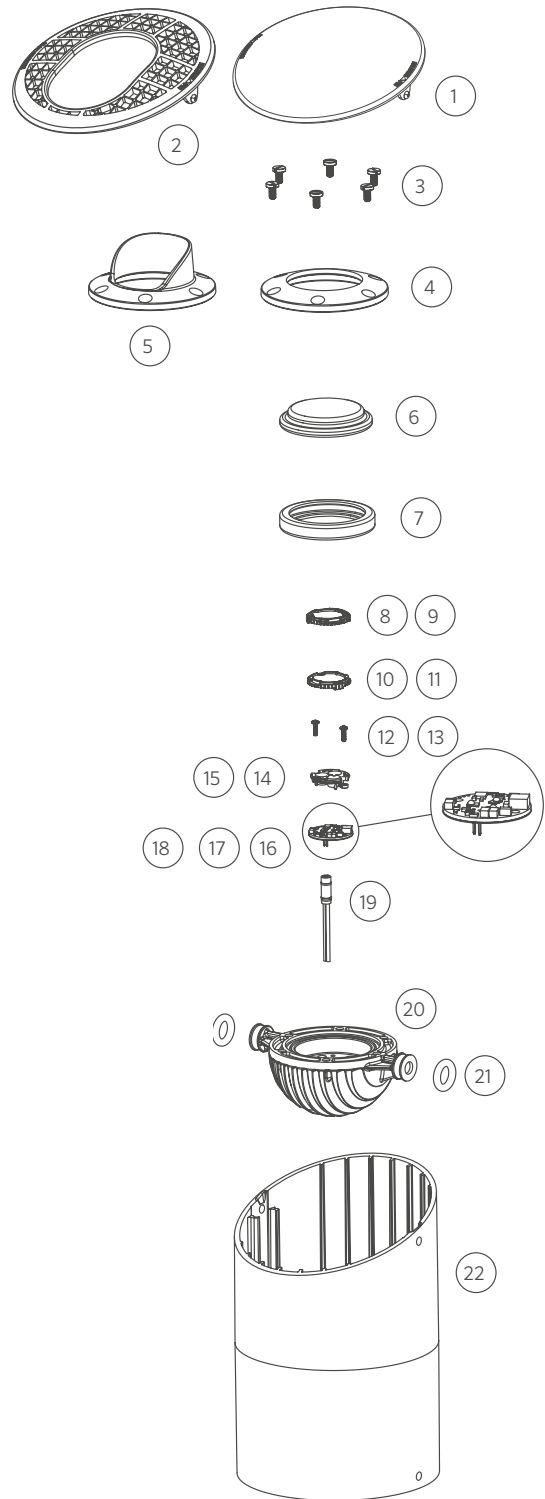


PE LED

ITEM	DESCRIPTION	CATALOG #
1	Clear Cover	250019030000
2	Grid	760700
3	Screw, #10-24 x 3/8"	250015870000
4	Ring	250014330000
5	Cowling Optional	250014310000
6	Lens, Glass (Frosted)	250014240000 (250014240001)
7	Seal	250014250000
8-9	Beam Angle Lens	See LED Chart
10-11	Color Filter	See LED Chart
12-13	Screw, #4-40	See LED Chart
14-15	Reflector	See LED Chart
16-18	LED Board	See LED Chart
19	Socket, 3-meter	-
20	PE Housing	-
21	O-Ring	250010280007
22	Tube	250011630000
3-21	Replacement Module, Ring	PE-Z-LED-RG-KIT
3-21	Replacement Module, Cowling	PE-Z-LED-CW-KIT

PE LED COMPONENTS

ITEM	DESCRIPTION	CATALOG #
8	3LED Spot Lens (18°)	771300
8	3LED Flood Lens (30°-32°)	3LEDFLENS
8	3LED Wide Flood Lens (56°-58°)	3LEDWFLENS
9	6LED/9LED Spot Lens (18°)	771600
9	6LED/9LED Flood Lens (30°-32°)	9LEDFLENS
9	6LED/9LED Wide Flood Lens (56°-58°)	9LEDWFLENS
10	3LED Color Filter, Amber	770800
10	3LED Color Filter, Blue	770801
10	3LED Color Filter, Green	770802
11	6LED/9LED Color Filter, Amber	771500
11	6LED/9LED Color Filter, Blue	771501
11	6LED/9LED Color Filter, Green	771502
12	3LED Screw, #4-40 x 3/8" (Qty: 2)	762400
13	6LED/9LED Screw, #4-40 x 7/16" (Qty: 3)	250014550000
14	3LED Reflector	770700
15	6LED/9LED Reflector	771400
15	ZDC LED Reflector	250020690000
16	3LED Board	3LEDULKIT*
17	6LED Board	6LEDULKIT†



ITEM	DESCRIPTION	CATALOG #
18	9LED Board	9LEDULKIT†
18	ZDC LED Board	ZDCKITL**

† ZD = Zoneable and dimmable (add ZD to front of part number)  
 \*\* ZDC kit includes LED board, reflector (#14), screws (#13), and flood lens diffuser (9LEDFLENS)

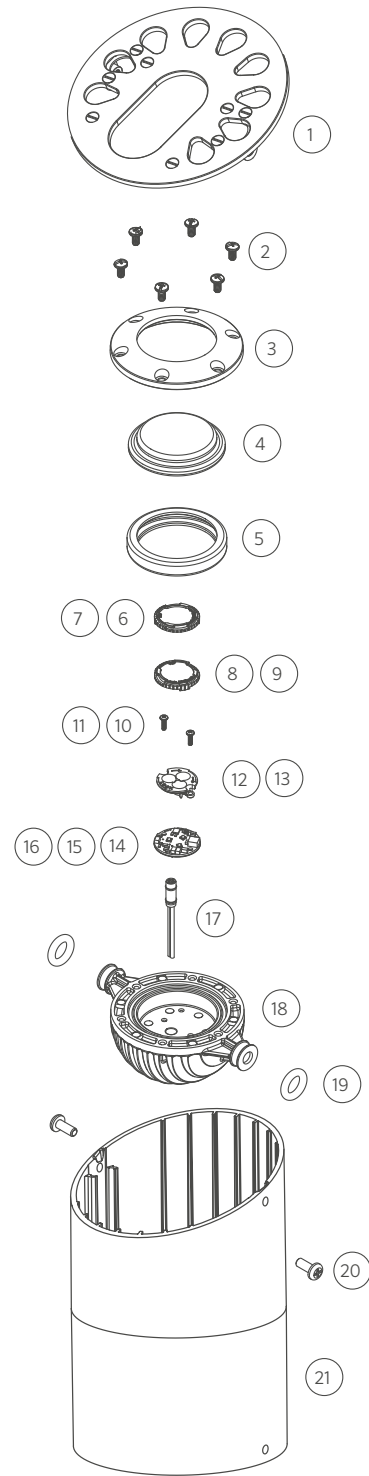
**KG LED**

ITEM	DESCRIPTION	CATALOG #
1	Faceplate Assembly	KGFPXX*
2	Screws, #10-24 x 3/8"	250011710000
3	Ring	250014330000
4	Glass Lens (Frosted)	250014240000 (250014240001)
5	Seal	250014170000
6-7	Beam Angle Lens	See LED Chart
8-9	Color Filter	See LED Chart
10-11	Screw	See LED Chart
12-13	Reflector	See LED Chart
14-16	LED Board	See LED Chart
17	Socket	-
18	Housing	-
19	O-Ring	250010280007
20	Screw, #10-24 x 5/8"	250011690017
21	Tube	250013980000
2-19	Replacement Module, Ring	PE-Z-LED-RG-KIT

\* XX = Powder coat color code

**KG LED COMPONENTS**

ITEM	DESCRIPTION	CATALOG #
6	3LED Diffuser	771300
6	3LED Flood Lens (30°-32°)	3LEDFLENS
6	3LED Wide Flood Lens (56°-58°)	3LEDWFLENS
7	6LED/9LED Diffuser	771600
7	6LED/9LED Flood Lens (30°-32°)	9LEDFLENS
7	6LED/9LED Wide Flood Lens (56°-58°)	9LEDWFLENS
8	3LED Color Filter, Amber	770800
8	3LED Color Filter, Blue	770801
8	3LED Color Filter, Green	770802
9	6LED/9LED Color Filter, Amber	771500
9	6LED/9LED Color Filter, Blue	771501
9	6LED/9LED Color Filter, Green	771502
10	3LED Screw, #4-40 x 3/8" (Qty Req: 2)	762400
11	6LED/9LED Screw, #4-40 x 7/16" (Qty Req: 3)	250014550000
12	3LED Reflector	770700
13	6LED/9LED Reflector	771400
13	ZDC LED Reflector	250020690000



ITEM	DESCRIPTION	CATALOG #
14	3LED Board	3LEDULKIT*
15	6LED Board	6LEDULKIT†
16	9LED Board	9LEDULKIT†
16	ZDC LED Board	ZDCKITL**

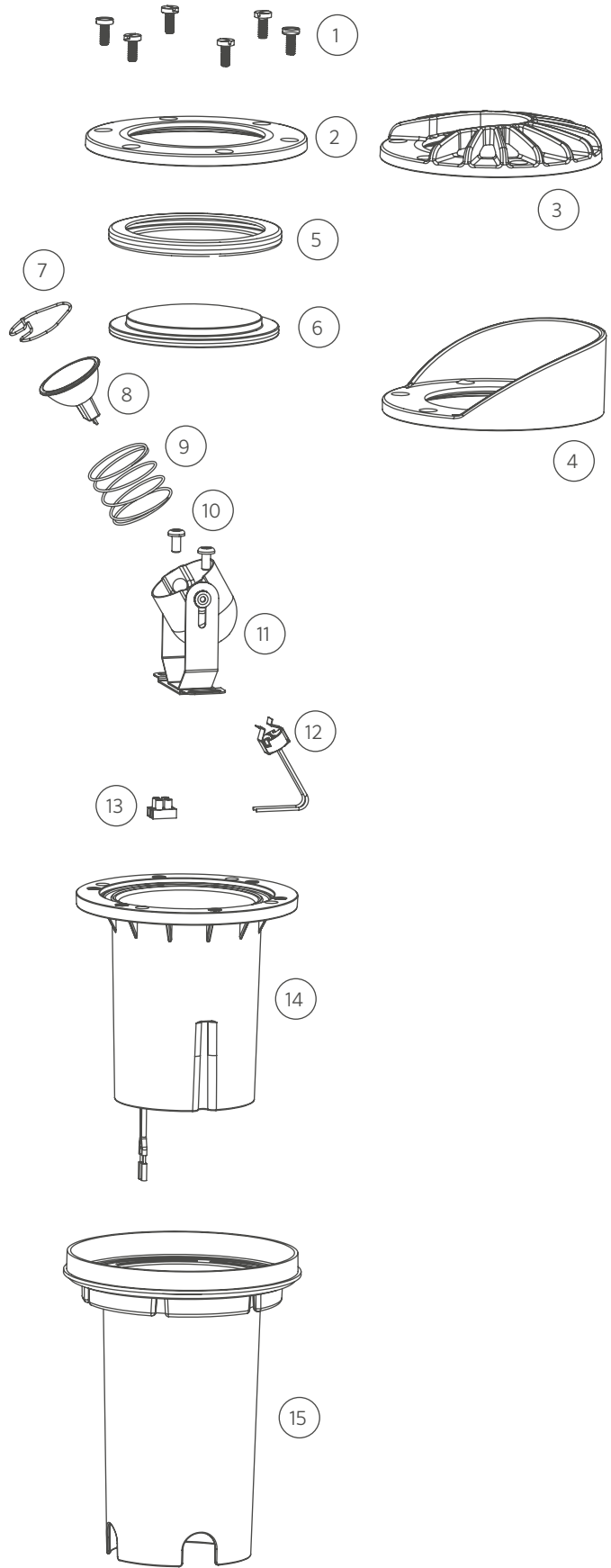
† ZD = Zoneable and dimmable (add ZD to front of part number)

\*\* ZDC kit includes LED board, reflector (#12), screws (#11), and flood lens diffuser (9LEDFLENS)

**RP**

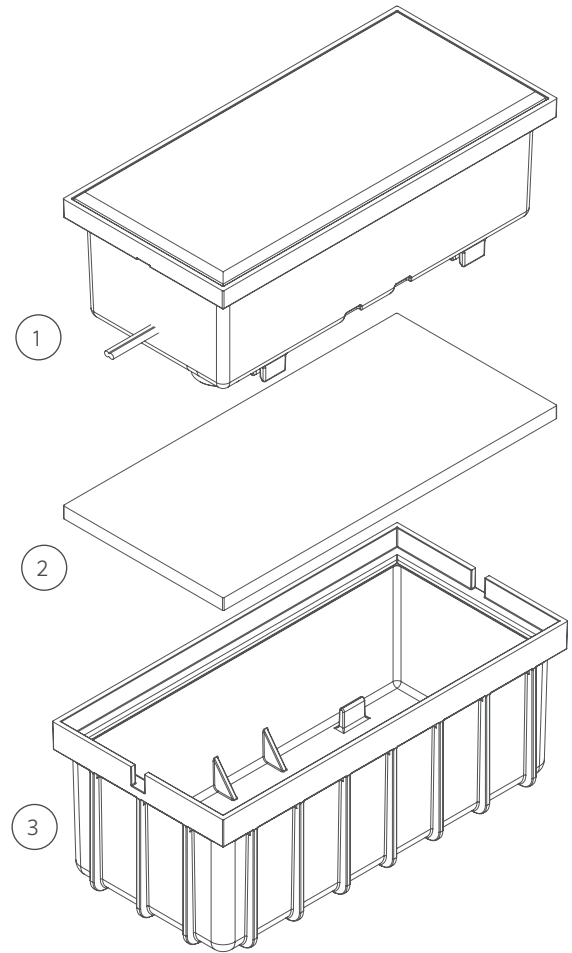
ITEM	DESCRIPTION	CATALOG #
1	Screw, 1/4"-20 x 5/8"	250014380000
Faceplate Options		
2	Ring	RPRGXX*
3	Cowling	RPCWXX*
4	Louver	RPLVXX*
5	Seal	-
6	Lens	-
7	Spring, Clip	250014200000
8	Lamp, MR-16	See Lamp Chart, p. 137-139
9	Spring	250014440000
10	Screw	250014430000
11	Lamp Housing Assembly	250014370000
12	Socket	-
13	Terminal Block	-
14	Inner Housing	-
15	Outer Housing	250014350000
5-6	RP Lens Assembly	RPLA

\*XX = Finish code



**HP-48**

ITEM	DESCRIPTION	CATALOG #
1	HP-48 Fixture	(See Product Spec Sheet)
2	Install Sleeve Construction Cover	-
3	Install Sleeve	-
2-3	Install Sleeve Mounting Kit	MKHP48



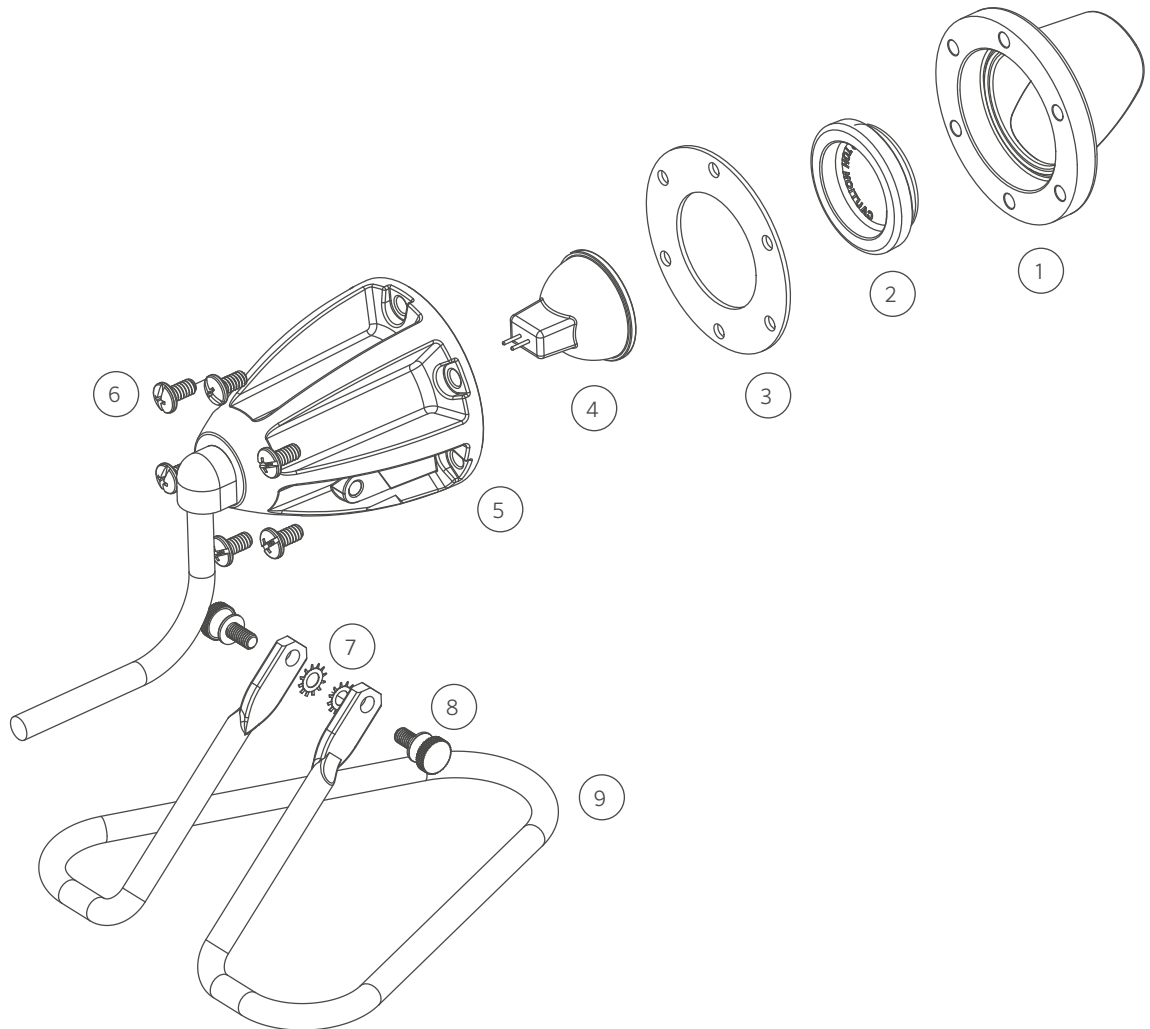
# UNDERWATER LIGHTS

## SM

ITEM	DESCRIPTION	CATALOG #
1	Faceplate	-
2	Glass Lens	-
3	Gasket	-
4	Lamp, AR-11	See Lamp Chart
5	Body	-
6	Screw	-
7	Washer	-
8	Brass Thumb Screw	-
9	Base	-

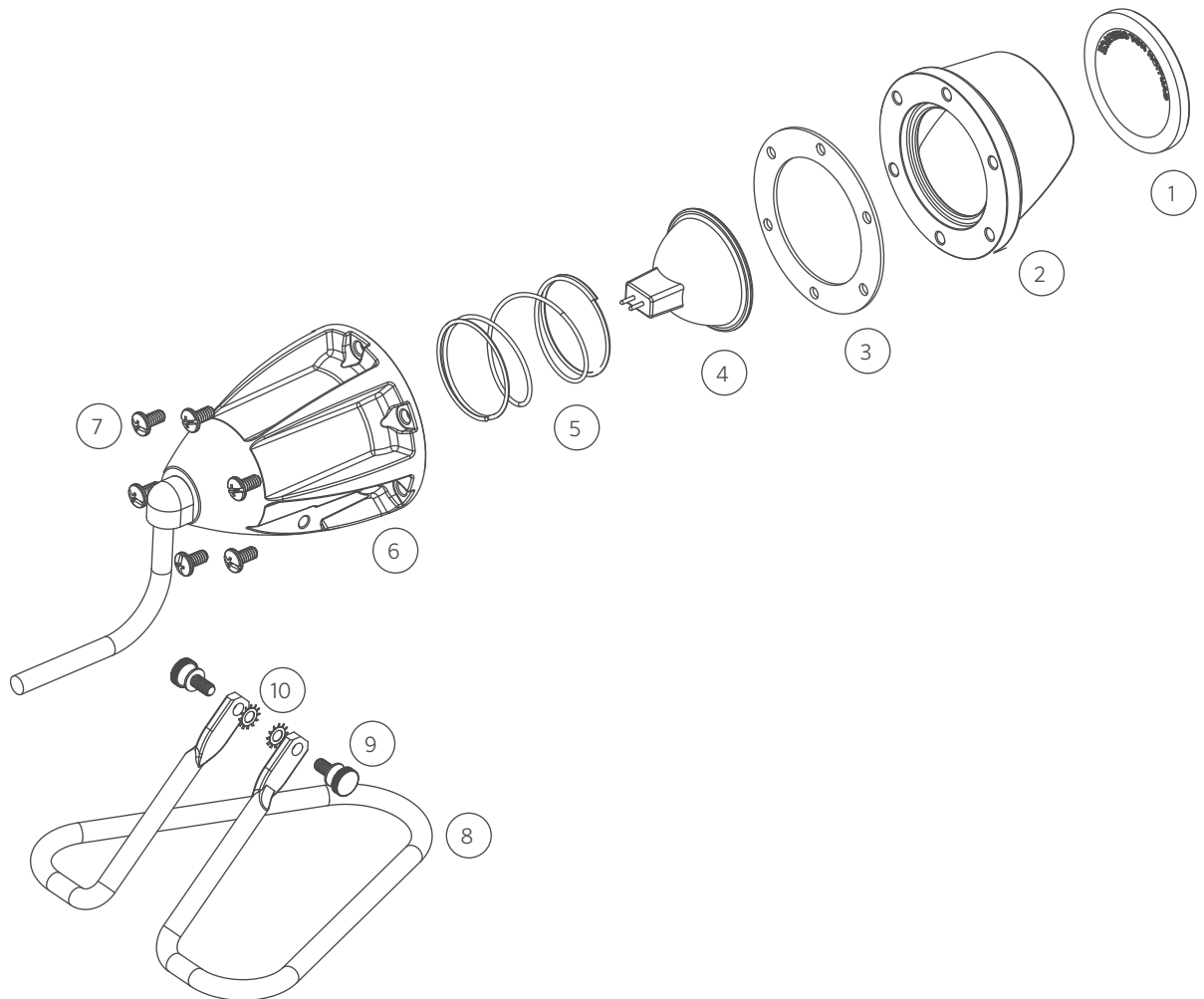
## LAMP Chart

DESCRIPTION	CATALOG #
Lamp, AR-11, 20W, F, 18°, 2,000 Hrs	250010240001
Lamp, AR-11, 20W, F, 32°, 2,000 Hrs	250010240002
Lamp, AR-11, 35W, 10°, 2,000 Hrs	250010240003
Lamp, AR-11, 35W, 30°, 2,000 Hrs	250010240004



**LB**

ITEM	DESCRIPTION	CATALOG #
1	Clear Lens	-
2	Faceplate	-
3	Gasket	250010990000
4	Lamp, MR-16	See Lamp Chart, p. 137-139
5	Spring	250011000000
6	Housing	-
7	Screw, #10-24 x 3/8"	250015870000
8	Stand	250010880000
9	Thumb Screw, #10-24 x 3/8"	250010900000
10	Washer	250010930000
1-2	LB Lens Cap Assembly	LBLCBS





**LP**

ITEM	DESCRIPTION	CATALOG #
1	Shroud, Brass, LP	250022440000
2	Lens, Glass, Forged, LP	250022470000
3	Gasket, Silicone, LP	250022460000
4	Color Filter, MO	See LED Chart
5	Screw, PNH, #4-40 x 3/8" LG, Mach, Phillips, SST	762400
6	LED Board	See LED Chart
7	Housing, Brass, LP	-
8	Screw, Bh, #8-32 x 3/8" LG, Torx, SST	250023810000
9	Connector, Stow, Overmolded	-
10	Cover, Plastic, LP	-
11	Stand, Plastic, Flat, LP	250022480000

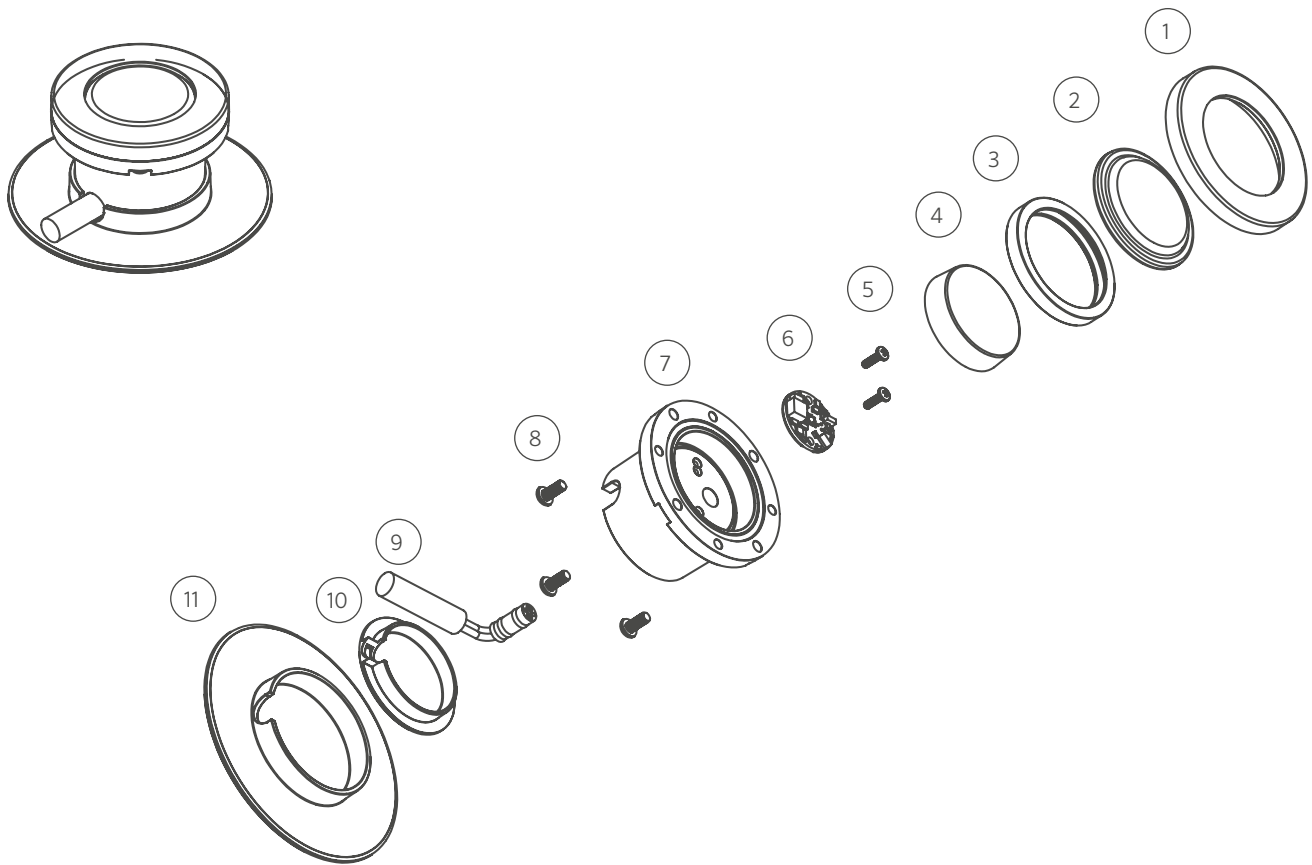
**LP LED COMPONENTS**

ITEM	DESCRIPTION	CATALOG #
6	1LED Board	1LEDULKIT*†
6	3LED Board	3LEDULKIT*†
6	ZD 3LEDT Amber LED Board	ZD3LEDTKIT
6	ZDC LED Board	ZDCKITM**
4	Color Filter, Amber	250020630000
4	Color Filter, Blue	250020630001
4	Color Filter, Green	250020630002

\* ZD = Zoneable and dimmable (add ZD to front of part number)

\*\* ZDC kit includes LED board, reflector, screws, and flood lens (3LEDFLENS)

† Kits do not include MO colored filters; must order separately



LL LED

ITEM	DESCRIPTION	CATALOG #
1	Shroud, LL	250025450000
2	Lens, Diameter 2.35", Clear	250025510000
	Lens, Diameter 2.35", Clear Frosted	250025510001
3	Gasket, Silicone	250025470000
4	Body, LL	
5	Screw, SH, #6-32 x 1¼", SST	250025500000
6	Back Cap	250025440000
7	LED Board	See LED Chart
8	#4-40 x 7/16" Phil Pan M/SST	See LED Chart
9	Connector, STOW, Overmold, 30'	--
10	Reflector, 6x/9x, G2	See LED Chart
11	Filter, Color, 6x/9x, G2, Amber	See LED Chart
12	Diffuser, 6X/9X, G2	See LED Chart
13	Stand, SST	250025480000
14	Screw, FH, 10-24 x 5/16", SST	250026750000
15	O-Ring, Silicone, Orange, -112	250010280044
16	Screw, SH, #6-32 x ½" LG, SST	250010690000

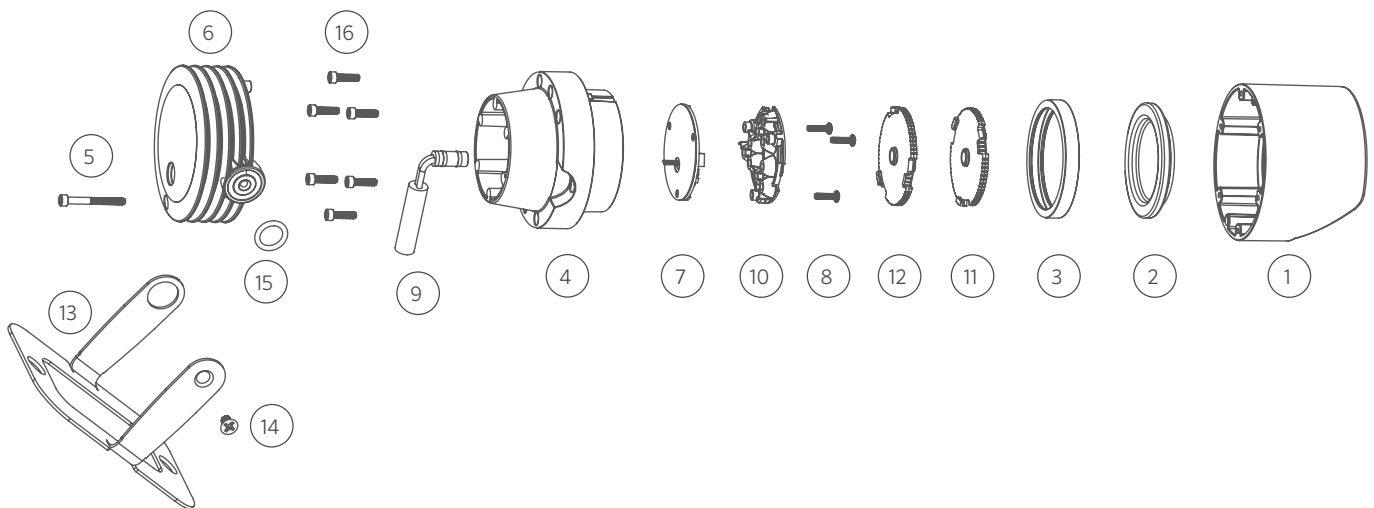
† Replace "C" with "F" for frosted lens option

LL LED COMPONENTS

ITEM	DESCRIPTION	CATALOG #
4	1LED Spot Lens (18°)	770600
5	3LED Spot Lens (18°)	771300
6	6LED/9LED Spot Lens (18°)	771600
7	1LED Color Filter, Amber	770100
7	1LED Color Filter, Blue	770101
7	1LED Color Filter, Green	770102
8	3LED Color Filter, Amber	770800
8	3LED Color Filter, Blue	770801
8	3LED Color Filter, Green	770802
9	6LED/9LED Color Filter, Amber	771500
9	6LED/9LED Color Filter, Blue	771501
9	6LED/9LED Color Filter, Green	771502
10	1LED/3LED Screw, #4-40 x 3/8" (Qty: 2)	762400
11	6LED/9LED Screw, #4-40 x 7/16" (Qty: 3)	250014550000
12	1LED Reflector	770000
13	3LED Reflector	770700
14	6/9LED Reflector	771400
14	ZDC LED Reflector	250020690000
15	1LED Board	1LEDULKIT†
16	3LED Board	3LEDULKIT*
17	6LED Board	6LEDULKIT†
18	9LED Board	9LEDULKIT†
18	ZD 3LED Amber LED Board	ZD3LEDTKIT
18	ZDC LED Board	ZDCKITL**

† ZD = Zoneable and dimmable (add ZD to front of part number)

\*\* ZDC kit includes LED board, reflector (#14), screws (#11), and flood lens diffuser (9LEDFLENS)



## SPECIALTY LIGHTS

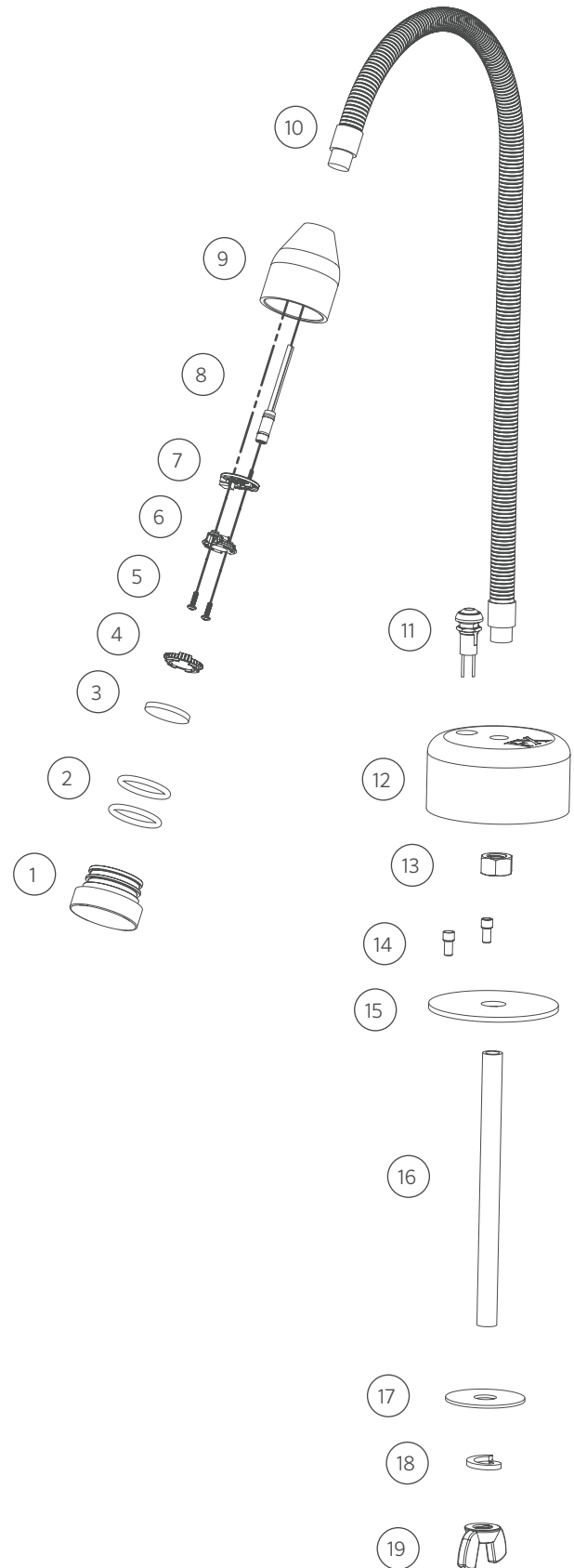
## BQ

ITEM	DESCRIPTION	CATALOG #
1	Shroud	-
2	O-Ring	250010280015
3	Lens	-
1-3	Lens Cap Assembly (Clear)	BQLCSS
4	Diffuser	See LED Chart
5	Screw	See LED Chart
6	LED Reflector	See LED Chart
7	LED Board	See LED Chart
8	Socket, 1.5-meter	752600
9	Body	-
10	Flexible Conduit	250019580000
11	Push-Button Switch	250019590000
12	Base	-
13	Hex Nut, ½"-13	250019830000
14	Wire Crimp Connector	250010920000
15	Base Gasket	250019560000
16	Mounting Rod	250019570000
17	Fender Washer, ½"	250019870000
18	Lock Washer, Split, ½"	250019820000
19	Wing Nut, ½"-13	250019840000
1-3	Lens Cap Assembly	BQLCSS

## BQ LED COMPONENTS

ITEM	DESCRIPTION	CATALOG #
4	1LED Diffuser	770600
5	1LED/3LED Screw, #4-40 x ¾"	762400
6	1LED Reflector	770000
7	LED Board	1LEDULKIT <sup>‡</sup>

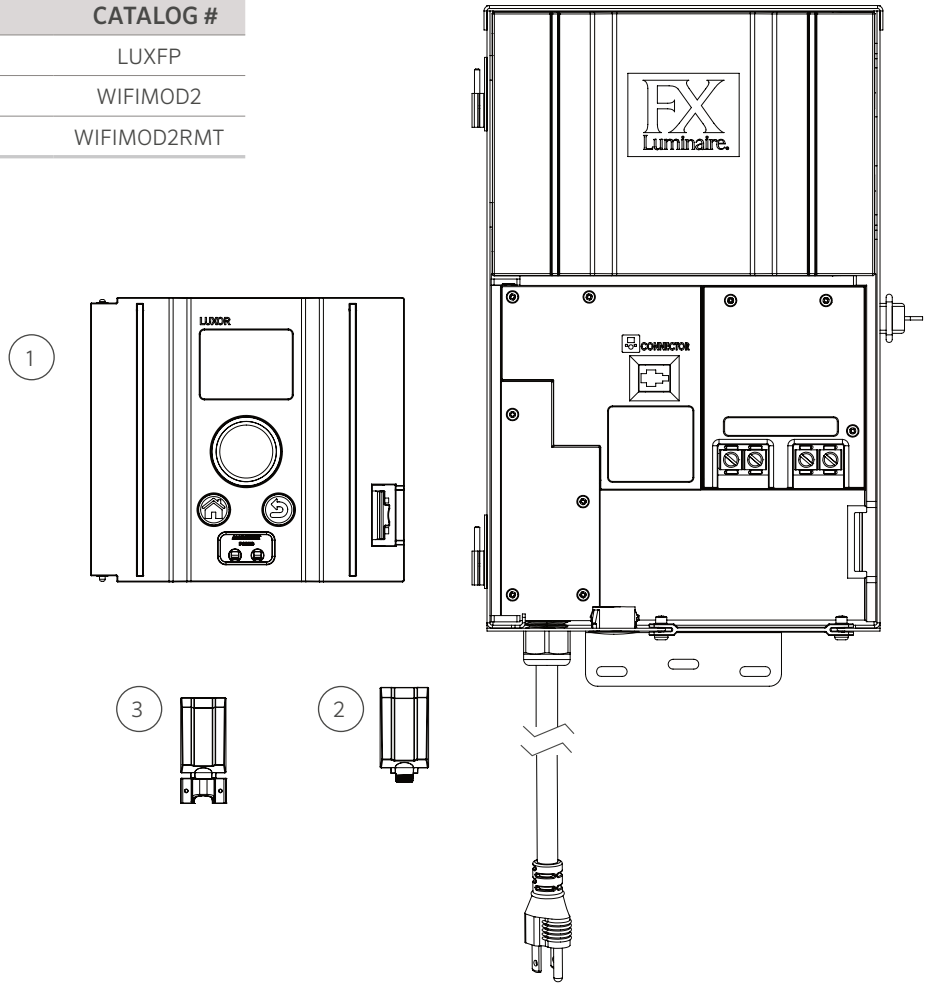
<sup>‡</sup>ZD = Zoneable and dimmable (add ZD to front of part number)



# POWER CONTROLLERS

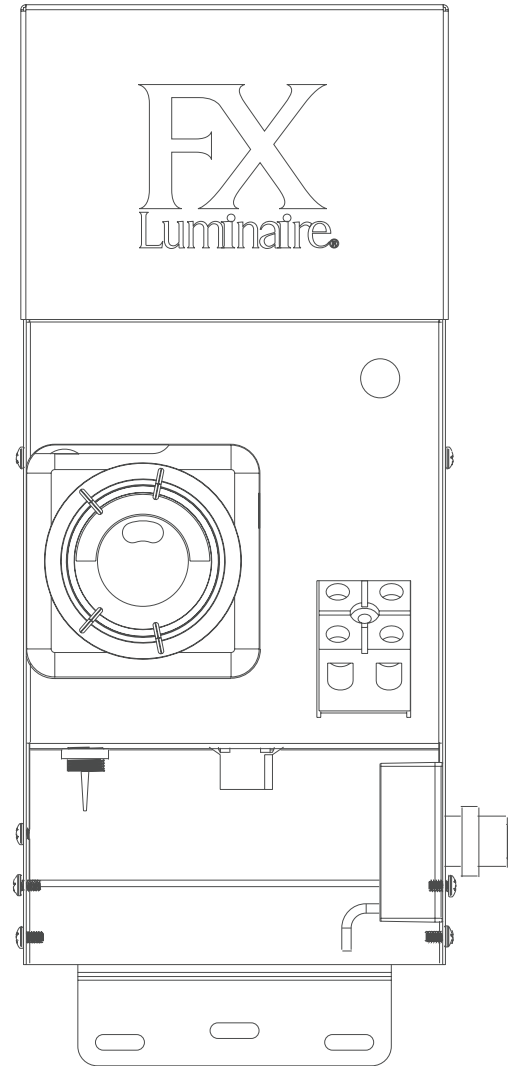
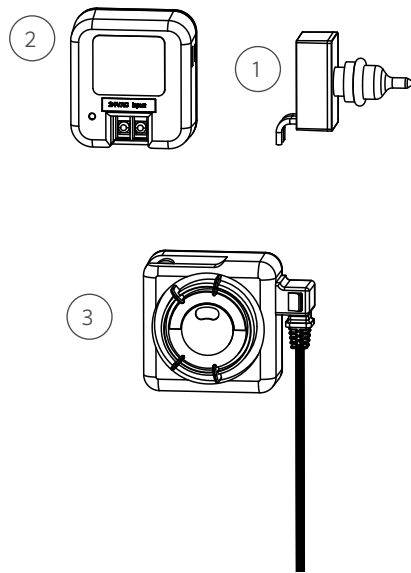
## LUXOR

ITEM	DESCRIPTION	CATALOG #
1	Luxor® Facepack	LUXFP
2	Wi-Fi Module	WIFIMOD2
3	Wi-Fi Module - Remote Mount	WIFIMOD2RMT



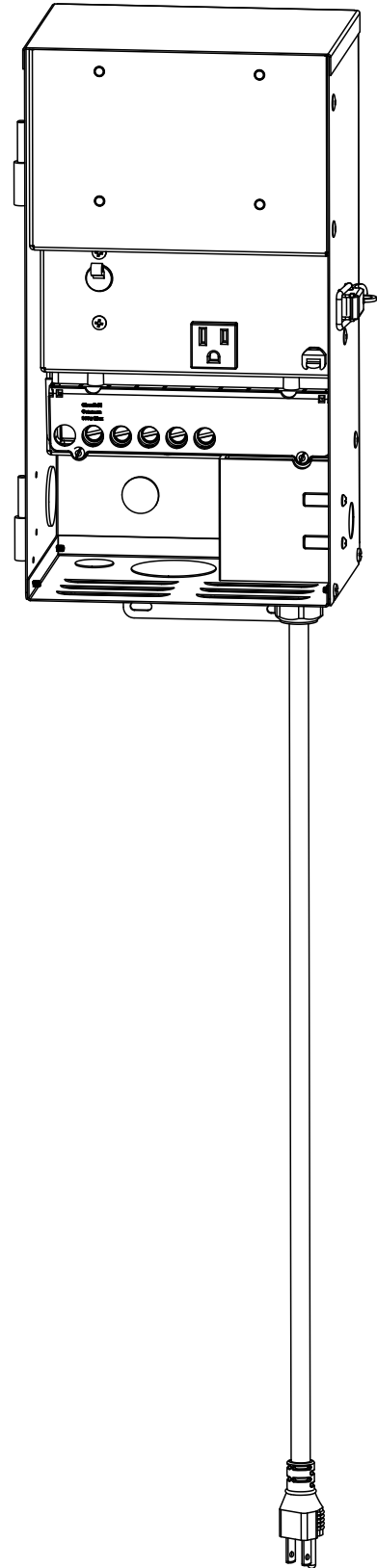
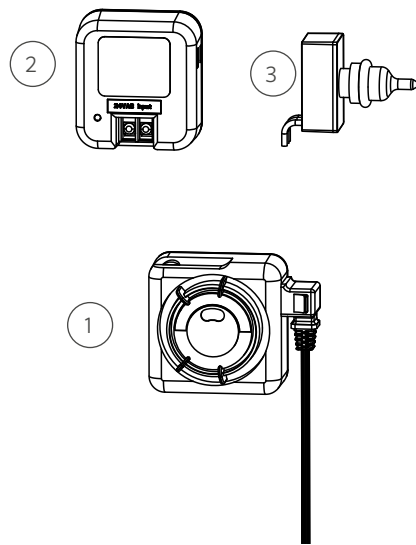
## EX TRANSFORMER

ITEM	DESCRIPTION	CATALOG #
1	EX Photocell (Plugged)	EXPC
2	24VAC Lighting Synchronizer for Control with Irrigation Controller	PXSYNC
3	Mechanical Timer	PXTIMER



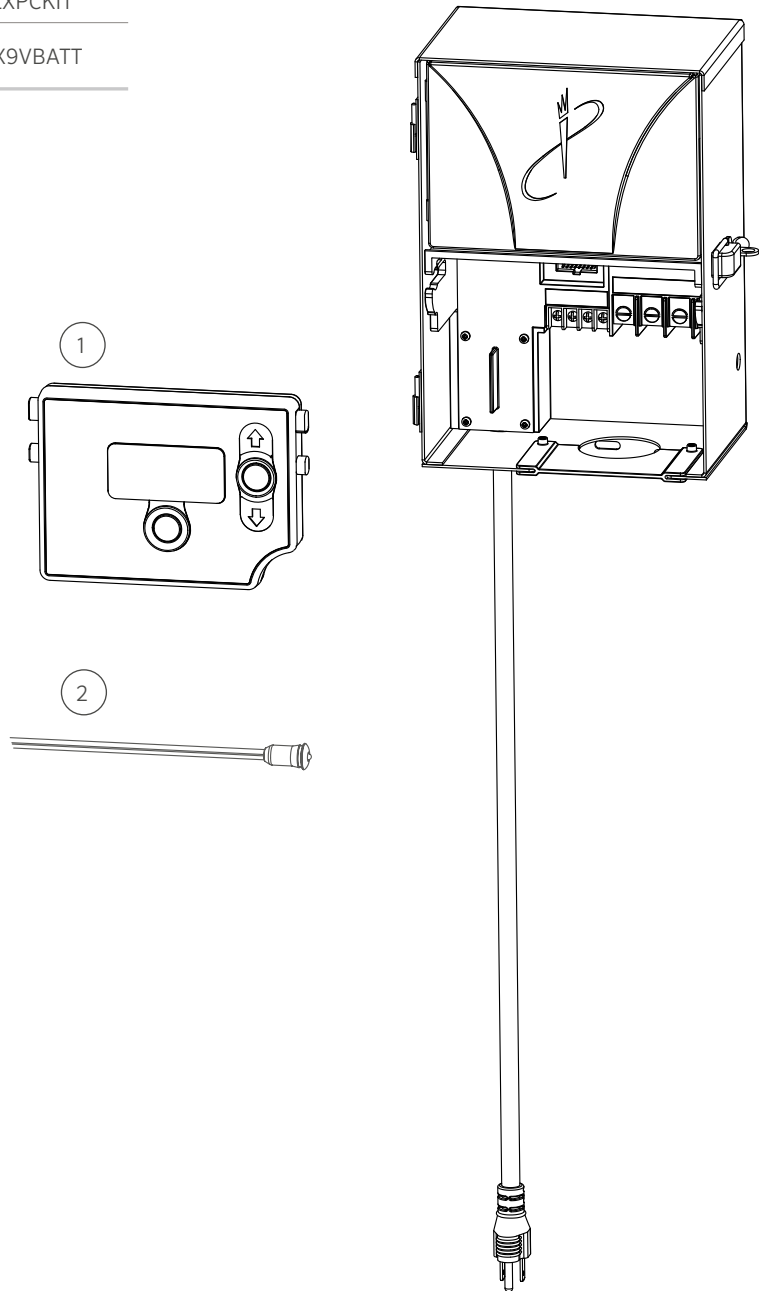
**PX TRANSFORMER**

ITEM	DESCRIPTION	CATALOG #
1	Mechanical Timer	PXTIMER
2	Lighting Synchronizer for Control with Irrigation Controller	PXSYNC
3	Photocell	PXPC



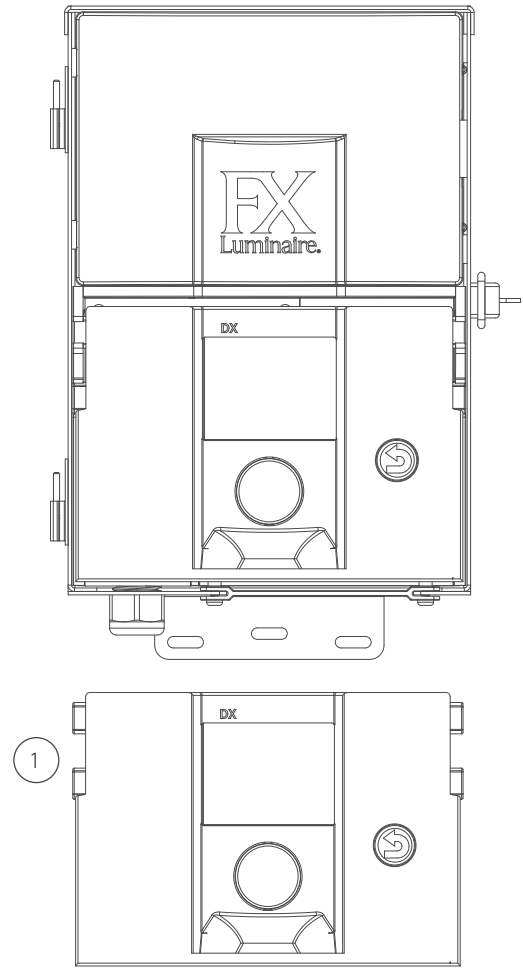
## LX TRANSFORMER

ITEM	DESCRIPTION	CATALOG #
1	LX Facepack	LXFPV2
2	26' Photocell Kit	LXPCKIT
3	9V Battery Adapter (Battery Not Included)	LX9VBATT



**DX CONTROLLER**

ITEM	DESCRIPTION	CATALOG #
1	DX Facepack	DXFP
2	9V Battery Adapter (Battery Not Included)	LX9VBATT

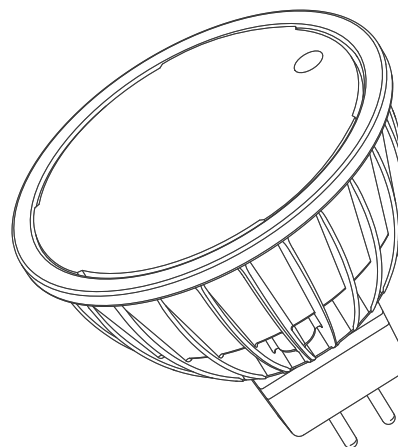




# LAMPS

## LED MR-16 Lamp Chart

DESCRIPTION	CATALOG #
LED, MR-16, 20W, 10°, 2,700K, 40,000 Hrs	MR16LED20WVN
LED, MR-16, 20W, 35°, 2,700K, 40,000 Hrs	MR16LED20WFL
LED, MR-16, 20W, 60°, 2,700K, 40,000 Hrs	MR16LED20WWF
LED, MR-16, 35W, 10°, 2,700K, 40,000 Hrs	MR16LED35WVN
LED, MR-16, 35W, 35°, 2,700K, 40,000 Hrs	MR16LED35WFL
LED, MR-16, 35W, 60°, 2,700K, 40,000 Hrs	MR16LED35WWF
LED, MR-16, 50W, 35°, 2,700K, 40,000 Hrs	MR16LED50WFL
LED, MR-16, 4W, 10°, 3,000K, 40,000 Hrs	MR16LED20SVN
LED, MR-16, 4W, 35°, 3,000K, 40,000 Hrs	MR16LED20SFL
LED, MR-16, 4W, 60°, 3,000K, 40,000 Hrs	MR16LED20SWF
LED, MR-16, 5W, 10°, 3,000K, 40,000 Hrs	MR16LED35SVN
LED, MR-16, 5W, 35°, 3,000K, 40,000 Hrs	MR16LED35SFL
LED, MR-16, 5W, 60°, 3,000K, 40,000 Hrs	MR16LED35SWF
LED, MR-16, 6W, 35°, 3,000K, 40,000 Hrs	MR16LED50SFL
LED, MR-16, 20W, 10°, 3,900K, 40,000 Hrs	MR16LED20CVN
LED, MR-16, 20W, 35°, 3,900K, 40,000 Hrs	MR16LED20CFL
LED, MR-16, 20W, 60°, 3,900K, 40,000 Hrs	MR16LED20CWF
LED, MR-16, 35W, 10°, 3,900K, 40,000 Hrs	MR16LED35CVN
LED, MR-16, 35W, 35°, 3,900K, 40,000 Hrs	MR16LED35CFL
LED, MR-16, 35W, 60°, 3,900K, 40,000 Hrs	MR16LED35CWF
LED, MR-16, 50W, 30°, 3,900K, 40,000 Hrs	MR16LED50CFL



## LED MR-16 ZD Lamp Chart

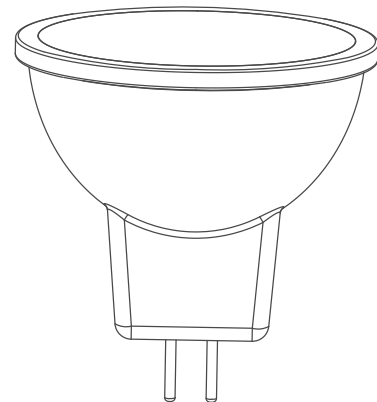
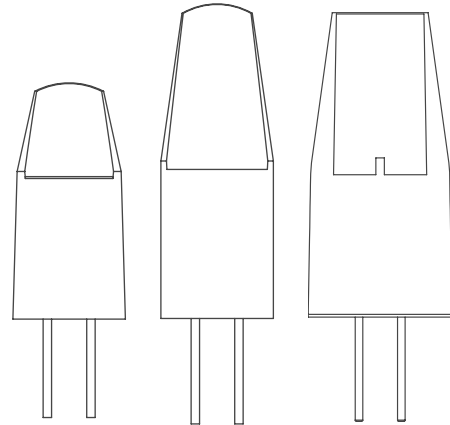
DESCRIPTION	CATALOG #
LED, ZD MR-16, 35W, 10°, 2,700K, 40,000 Hrs	MR16ZD35WVN
LED, ZD MR-16, 35W, 35°, 2,700K, 40,000 Hrs	MR16ZD35WFL
LED, ZD MR-16, 35W, 60°, 2,700K, 40,000 Hrs	MR16ZD35WWF
LED, ZD MR-16, 50W, 35°, 2,700K, 40,000 Hrs	MR16ZD50WFL
LED, ZD MR-16, 5W, 10°, 3,000K, 40,000 Hrs	MR16ZD35SVN
LED, ZD MR-16, 5W, 35°, 3,000K, 40,000 Hrs	MR16ZD35SFL
LED, ZD MR-16, 5W, 60°, 3,000K, 40,000 Hrs	MR16ZD35SWF
LED, ZD MR-16, 6W, 35°, 3,000K, 40,000 Hrs	MR16ZD50SFL
LED, ZD MR-16, 35W, 10°, 3,900K, 40,000 Hrs	MR16ZD35CVN
LED, ZD MR-16, 35W, 10°, 3,900K, 40,000 Hrs	MR16ZD35CFL
LED, ZD MR-16, 35W, 60°, 3,900K, 40,000 Hrs	MR16ZD35CWF
LED, ZD MR-16, 50W, 35°, 3,900K, 40,000 Hrs	MR16ZD50CFL

## LED G4 Lamp Chart

DESCRIPTION	CATALOG #
Lamp, G4 LED, 10W, 2,700K, 33,000 Hrs	G4LED10W
Lamp, G4 LED, 20W, 2,700K, 33,000 Hrs	G4LED20W
Lamp, G4 LED, 35W, 2,700K, 33,000 Hrs	G4LED35W

## MR-16 Lamp Chart

DESCRIPTION	CATALOG #
Lamp, MR-16, 10W, 32°, 1,200 Hrs	250010220001
Lamp, MR-16, 20W, 12°, 5,000 Hrs	250010220002
Lamp, MR-16, 20W, 24°, 5,000 Hrs	250010220003
Lamp, MR-16, 20W, 24°, 10,000 Hrs	250010220004
Lamp, MR-16, 20W, 36°, 5,000 Hrs	250010220005
Lamp, MR-16, 20W, 36°, 10,000 Hrs	250010220006
Lamp, MR-16, 20W, 36°, 12,000 Hrs	250010220007
Lamp, MR-16, 20W, 60°, 5,000 Hrs	250010220008
Lamp, MR-16, 35W, 12°, 5,000 Hrs	250010220009
Lamp, MR-16, 35W, 24°, 5,000 Hrs	250010220010
Lamp, MR-16, 35W, 24°, 10,000 Hrs	250010220011
Lamp, MR-16, 35W, 36°, 5,000 Hrs	250010220012
Lamp, MR-16, 35W, 36°, 10,000 Hrs	250010220013
Lamp, MR-16, 35W, 36°, 18,000 Hrs	250010220014
Lamp, MR-16, 35W, 60°, 5,000 Hrs	250010220015
Lamp, MR-16, 50W, 12°, 5,000 Hrs	250010220016
Lamp, MR-16, 50W, 12°, 10,000 Hrs	250010220017
Lamp, MR-16, 50W, 25°, 5,000 Hrs	250010220018
Lamp, MR-16, 50W, 24°, 10,000 Hrs	250010220019
Lamp, MR-16, 50W, 36°, 5,000 Hrs	250010220020
Lamp, MR-16, 50W, 36°, 10,000 Hrs	250010220021
Lamp, MR-16, 50W, 36°, 18,000 Hrs	250010220022
Lamp, MR-16, 50W, 60°, 5,000 Hrs	250010220023



---

**MR-16 Eco** Lamp Chart

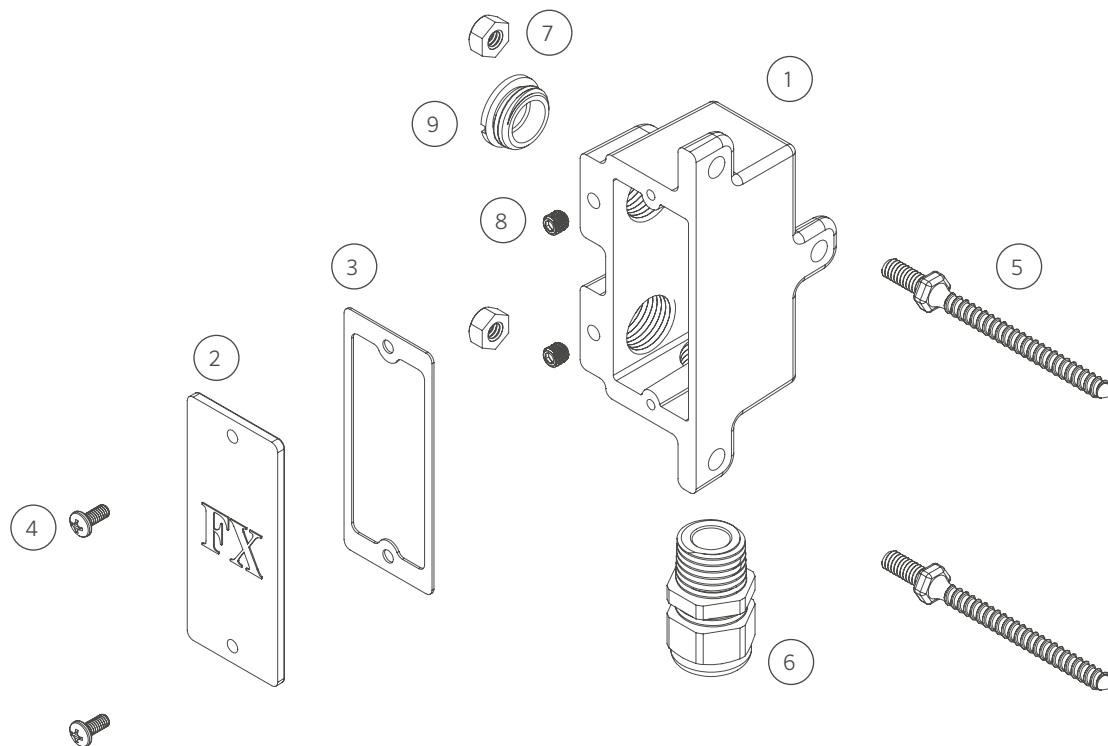
DESCRIPTION	CATALOG #
LED, MR-16 Eco, 20W, 35°, 2,700K, 30,000 Hrs	MR16ECO20WFL
LED, MR-16 Eco, 20W, 60°, 2,700K, 30,000 Hrs	MR16ECO20WWF
LED, MR-16 Eco, 50W, 35°, 2,700K, 30,000 Hrs	MR16ECO50WFL
LED, MR-16 Eco, 50W, 60°, 2,700K, 30,000 Hrs	MR16ECO50WWF



# ACCESSORIES

## TB TREEBOX®

ITEM	DESCRIPTION	CATALOG #
1	Housing, TreeBox	-
2	Cover, TreeBox	-
3	Gasket, TreeBox	-
4	Screw, PNH, #8-32 x 1 <sup>9</sup> / <sub>64</sub> " LG, MACH, Phillips, SST	250011950000
5	Stud, Wood, Threaded Screw	-
6	Cord Grip, Liquid Tight, 3231	250015330000
7	Nut, Hex, 1/4"-20, SST	-
8	Setscrew, 1/4"-20 x 1/4" LG, Cup Point, SST	250015320000
9	Plug, 1/2"-14 NPT	250014460000
5, 7	TB Screw Kit	TBSCRWKIT









# FXLuminaire®

A Hunter Industries Company

Our mission is to create the most energy-efficient lighting products in the world while maintaining the highest level of quality and reliability. In every instance, we will back our innovations with the unwavering support our customers need to succeed.



Gregory R. Hunter, CEO of Hunter Industries



Gene Smith, President, Landscape Irrigation and Outdoor Lighting

Website [fxl.com](http://fxl.com) | Customer Support +1 760-744-5240 | Technical Service +1 760-591-7383

## USA HEADQUARTERS

1940 Diamond Street  
San Marcos, California 92078, USA  
TEL: +1 760-744-5240

## MEXICO

ISO 9001:2015 Certified  
Calle Nordika #8615  
Parque Industrial Nordika  
Tijuana, B.C., Mexico CP 22640  
TEL: +52 664-903-1300

## EUROPE

Avda. Diagonal 523, 5°- 2°  
Edificio Atalaya  
08029 Barcelona, Spain  
TEL: +34 9-34-94-88-81

## AUSTRALIA

Suite 7, 202 Ferntree Gully Road  
Notting Hill, Melbourne  
Victoria 3168, Australia  
TEL: +61 3-9562-9918  
FAX: +61 3-9558-6983

## MIDDLE EAST

P.O. Box 2370  
Amman, 11941, Jordan  
TEL: +962 6-5152882  
FAX: +962 6-5152992

## CHINA

B1618, Huibin Office Bldg.  
No. 8, Beichen Dong Street  
Beijing 100101, China  
TEL/FAX: +86 10-84975146

This brochure was printed on Forest Stewardship Council® (FSC) certified paper with soy inks. The FSC is an international organization established to promote the responsible management of the world's forests.

© 2019 Hunter Industries Inc. Hunter, FX Luminaire, and all related logos are trademarks of Hunter Industries, registered in the U.S. and other countries.  Please recycle.



FXLIT-027-US N 9/19