

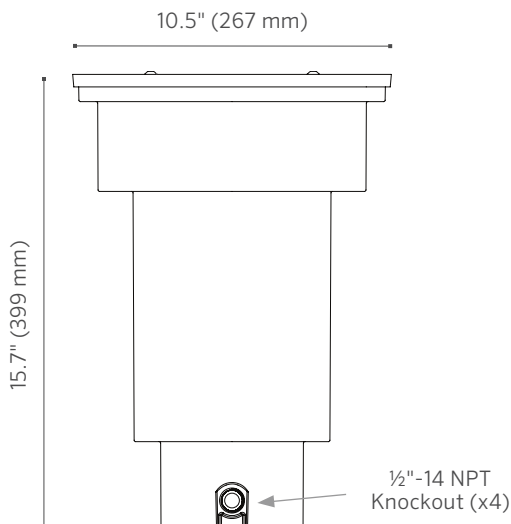
## 1. Caution and Safety Instructions



- Qualified personnel must install and/or service product in a manner consistent with its intended use and in compliance with the National Electrical Code, Canadian Electrical Code, and/or all local and provincial codes.
- Follow all product label information and installation instructions.
- Turn off power at fuse or circuit breaker before installation or servicing.
- The use of damaged components may cause an unsafe condition and void product warranty.
- Do not block light emanating from product in whole or part.
- Never operate the luminaire with missing or damaged lens. Clean lens on a regular basis.
- Entire luminaire may become extremely hot. Do not touch hot lens or luminaire body. Do not touch the light source at any time.
- Keep all O-rings and sealing surfaces clean during installation and servicing; failure to do this may lead to premature failure of the product.
- For installation in pedestrian and pedal cycle restricted areas.
- Looping connection limited to 24W.
- Basic insulation is provided between dimming input and mains input.
- Caution, risk of electric shock.

## 2. Product Information

- Suitable for ground-mounted recessed only.
- Suitable for wet locations.

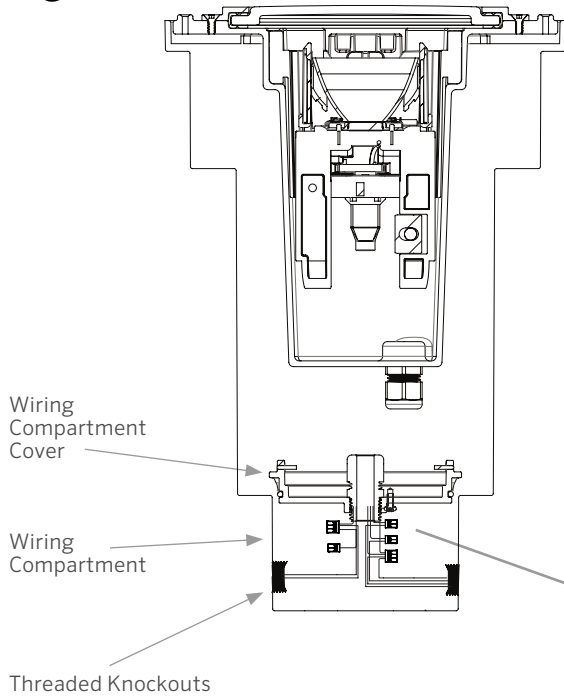


### Tools Needed:

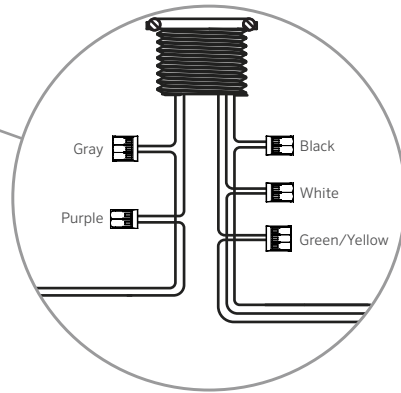
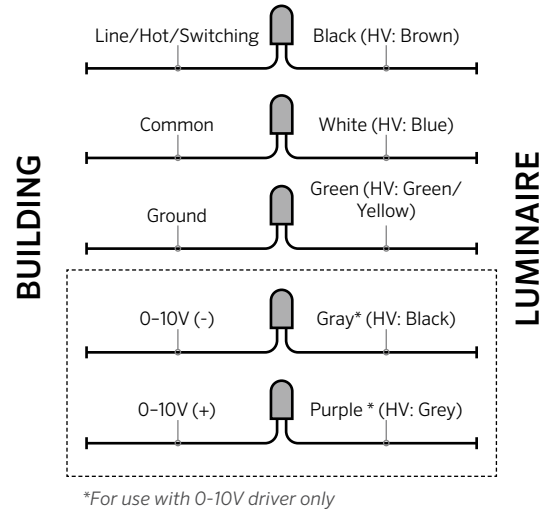
- Installation: Various lengths of 2" x 4" (50 mm x 100 mm) lumber, 1/8" Allen key
- Servicing: 9/64" Allen key, #1 Phillips screwdriver, #2 Phillips screwdriver

### 3. Product Installation

#### Diagrams



#### Wiring Chart

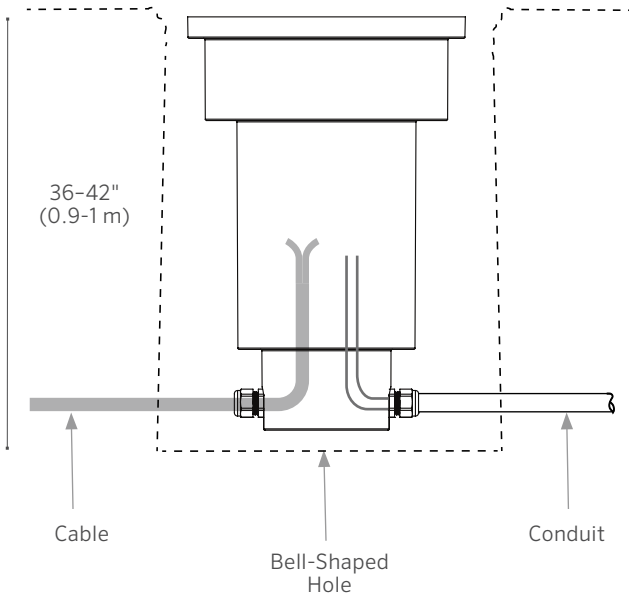


#### Power Requirements

	Standard Voltage (SV)	Universal Voltage (UV)	High Voltage (HV)
Input Power	120V/60Hz	110V to 277V/60Hz	220V to 240V/50Hz
Dimming	Phase	0-10V	0-10V
Number of Wires	3	5	5
Wire Colors	Black, White, Green	Black, White, Green, Purple, Gray	Green/Yellow, Brown, Blue, Gray, Black

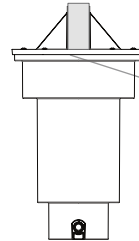
### 3. Product Installation (continued)

**Side View**

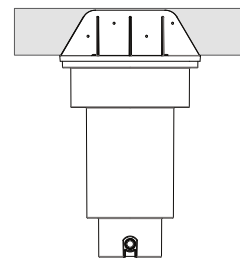
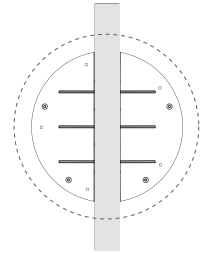


1. Excavate a 20" (508 mm) diameter hole in the desired location.
2. Run conduit or cabling at least 3" (76 mm) deeper than the bottom of the construction sleeve ("sleeve").
3. Choose the ideal knockout(s) to attach conduit or install cabling and use a tool of choice to forcefully remove the knockout.
4. For conduit, connect to sleeve with couplings of choice (1/2"-14 NPT). For cabling, install with cord glands and torque to 50 in-lbs (5.6 Nm).
5. Remove the wiring compartment cover and pull the wiring into the sleeve. Leave the cover inside the sleeve to prevent loss.
6. Add installation cover onto sleeve using the provided fasteners.

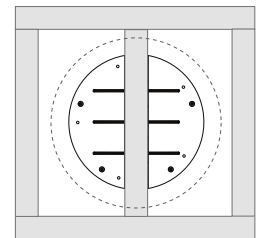
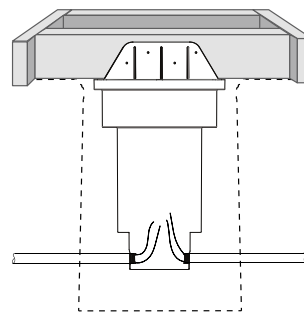
**Side View**



**Top View**

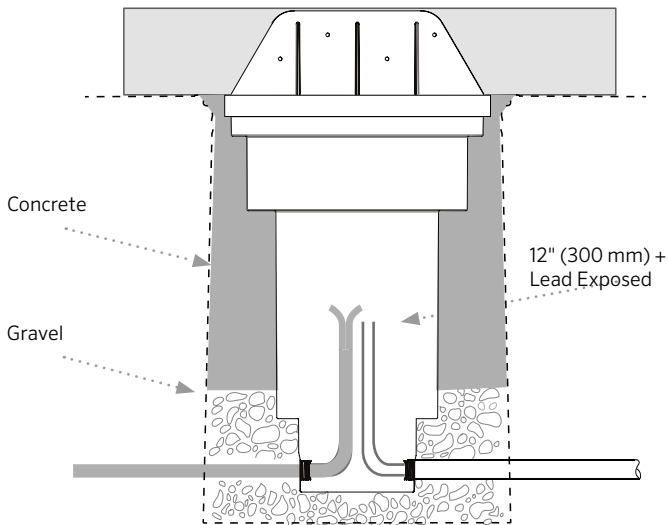


2" x 4" (50 mm x 100 mm) Lumber

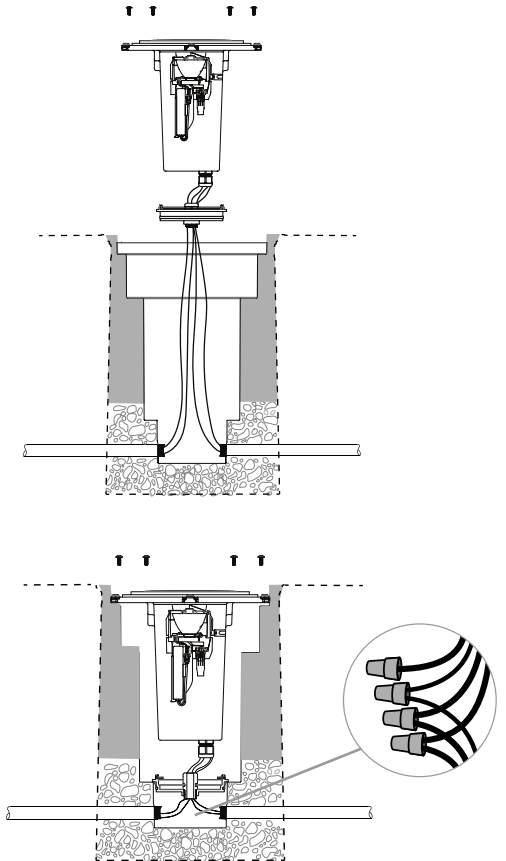


7. Insert a piece of 2" x 4" (50 mm x 100 mm) lumber with a length in excess of the excavated area into the cover's slot. Secure with metal fasteners (not provided).
8. Build a wooden frame to align and secure the construction sleeve during the concrete pour.
9. Ensure the wooden frame aligns the top of the cover with grade for a flush installation. To install the faceplate slightly above grade, raise the frame no more than 3/8" (10 mm).

### 3. Product Installation (continued)

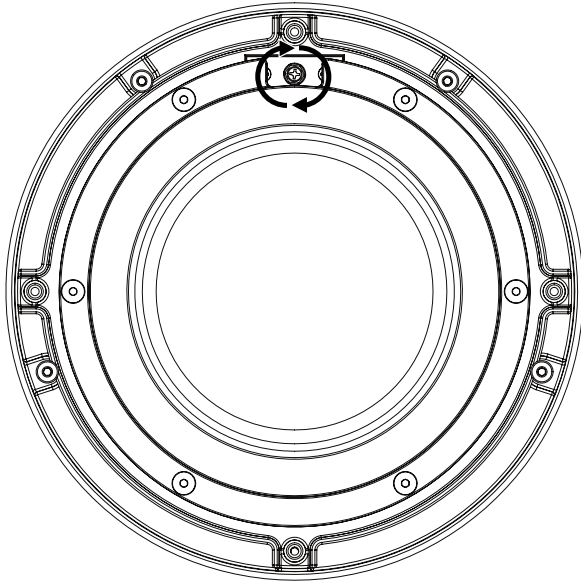


10. Fill hole with gravel ½" (13 mm) higher than the lower drainage ledge.
11. Pour concrete up to grade.
12. Following sufficient concrete hardening (curing), remove wood frame and installation cover.
13. Run incoming wiring from luminaire housing through the wiring compartment cover. Connect wiring using the wiring diagram and approved wire connectors.

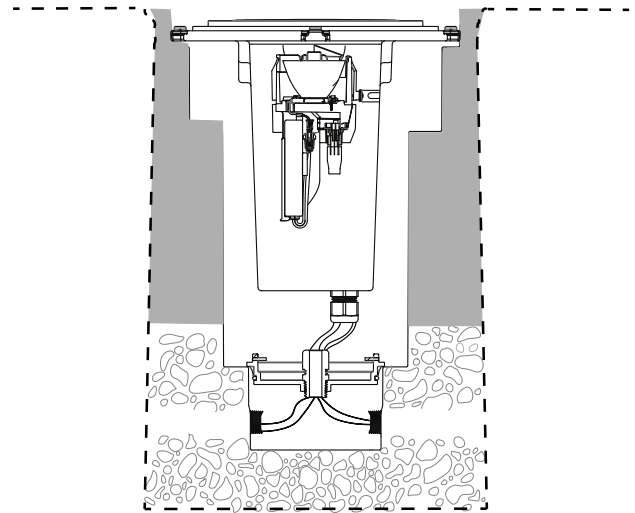


14. Seal wiring compartment with cover by pressing in place completely.
15. Place the housing inside the sleeve and rotate according to the proposed directional of light.
16. Insert four screws (included) to secure in desired position with an installation torque value of 50 in-lbs (5.6 Nm).

### 3. Product Installation (continued)



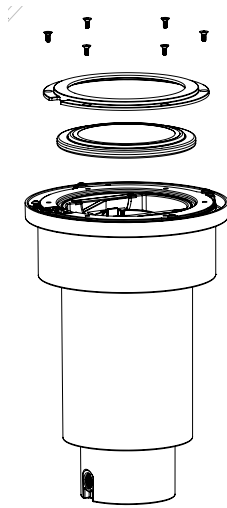
17. Using a #2 Phillips screwdriver, turn the top adjustment screw to adjust the direction (or angle) of the LED cartridge. One full turn = 1°. Use a torque value less than 50 in-lbs (5.6 Nm).



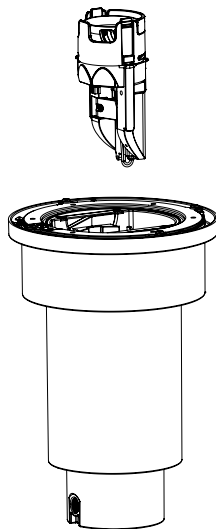
18. Attach the faceplate and fasten the screws to secure.

## 4. Repair/Replacement Instructions

- Standard Optics (20°, 40°, and 60°)

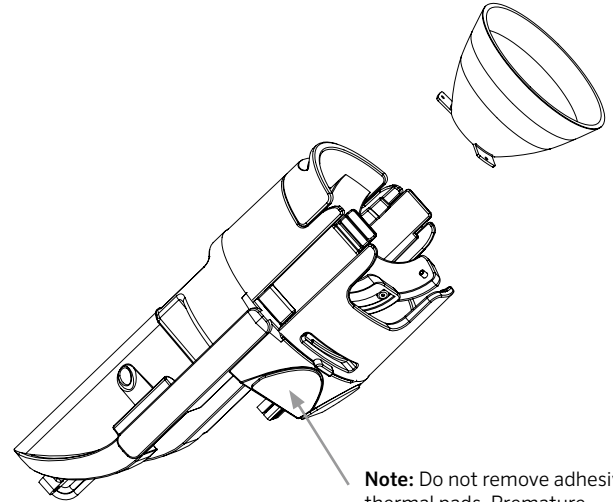


1. The “non-user replaceable light source” must be serviced by Hunter-qualified personnel in a manner consistent with its intended use and in compliance with all local and provincial codes. Unfasten faceplate and housing screws, using a 1/8" Allen key. Remove by lifting cap upward. Avoid using metal tools to protect the powder coat finish.



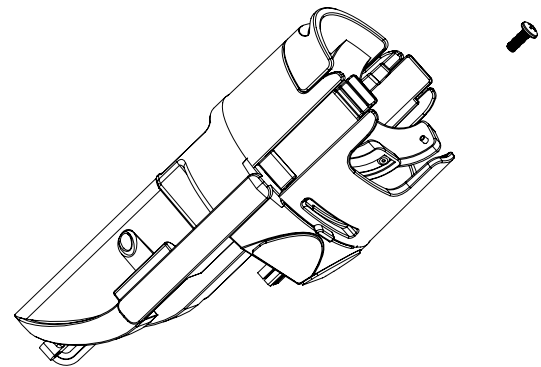
2. Lift cartridge arm and turn counterclockwise to release lock. Pull complete cartridge out of luminaire housing.

### Faceplate and Lens



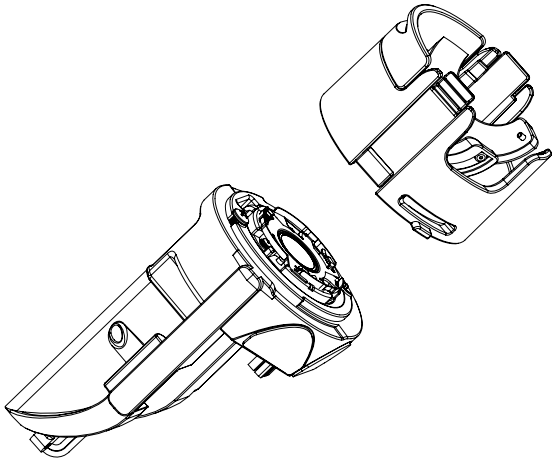
**Note:** Do not remove adhesive thermal pads. Premature failure may result.

3. Rotate cartridge arm back into the neutral position. Twist the optic counterclockwise and pull outward to remove the optic.

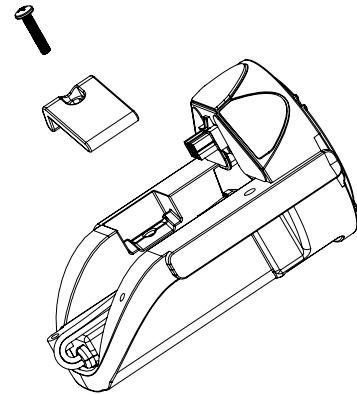


4. Use a #2 Phillips screwdriver to unfasten one screw inside the cartridge.

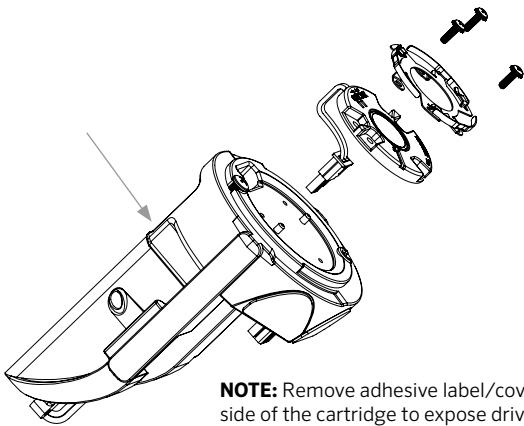
## 4. Repair/Replacement Instructions (continued)



5. Twist and rock the upper cartridge component to the remove top portion.

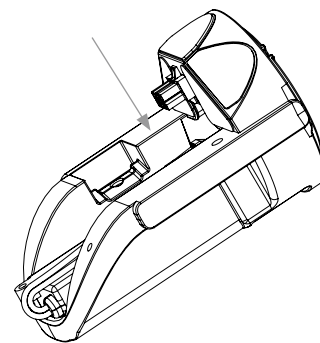


7. Use a #2 Phillips screwdriver to remove the driver clamp.



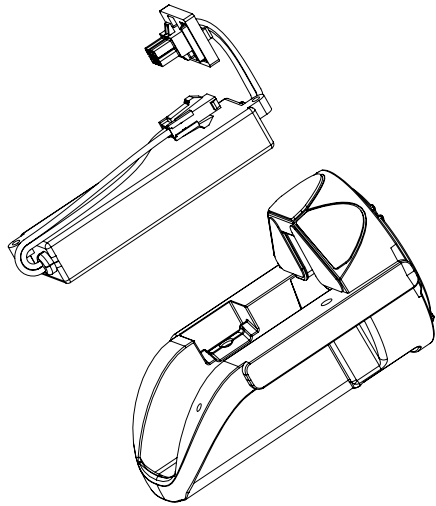
**NOTE:** Remove adhesive label/cover from the side of the cartridge to expose driver wiring. Disconnect wire connectors between the driver and the LED module before completely removing the LED module.

6. Unfasten three LED module screws using #1 Phillips screwdriver. Remove reflector adapter ring and LED module from cartridge platform.



8. Push the black, six-pin connector downward to unlock it from the cartridge.

## 4. Repair/Replacement Instructions (continued)



9. Remove the driver from the cartridge.

## 5. Warranty

### STATEMENT OF LIMITED WARRANTY

Hunter Industries Incorporated (“Hunter”) warrants FX Luminaire Line-Voltage Series lighting products to be free of defects in materials or workmanship under normal use for a period of five (5) years from the date of invoice. If a defect in a FX Luminaire product is discovered during the applicable warranty period, Hunter will repair or replace, at its option, the product or the defective part. This limited warranty does not extend to repairs, adjustments, or replacement of FX Luminaire products or parts resulting from misuse, negligence, alteration, modification, tampering, or improper installation and/or maintenance of the product. This warranty extends only to the original installer of the product. If a defect arises in a FX Luminaire product or part during the warranty period, contact the local authorized manufacturer’s representative. Hunter’s obligation to repair or replace its products as set forth above is the sole and exclusive warranty set forth by Hunter. There are no other warranties, expressed or implied, including warranties of merchantability and fitness for a particular purpose. Hunter will not be liable to distributor or any other party in strict liability, tort, contract, or any other manner for damages caused or claimed to be caused as a result of any design or defect in FX Luminaire products, or for any special, incidental, consequential, or exemplary damages or any nature, including without limitation lost business or profits. Notwithstanding the foregoing, if for any reason Hunter is found to be liable, in no event shall Hunter’s liability exceed the price of the product which gives rise to the claim, loss, or damage.

If you have any questions concerning the warranty or its application, please write to:  
Customer Service Department  
FX Luminaire  
1940 Diamond Street  
San Marcos, CA 92078 USA